

PARTS LIST

Left door edge film
(Identification mark: LH)



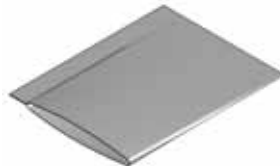
Right door edge film
(Identification mark: RH)



Applicator



Soft sleeve



2 Alcohol swabs

**TOOLS AND SUPPLIES REQUIRED**

Shop towel

Spray bottle

3M Protective tape application solution

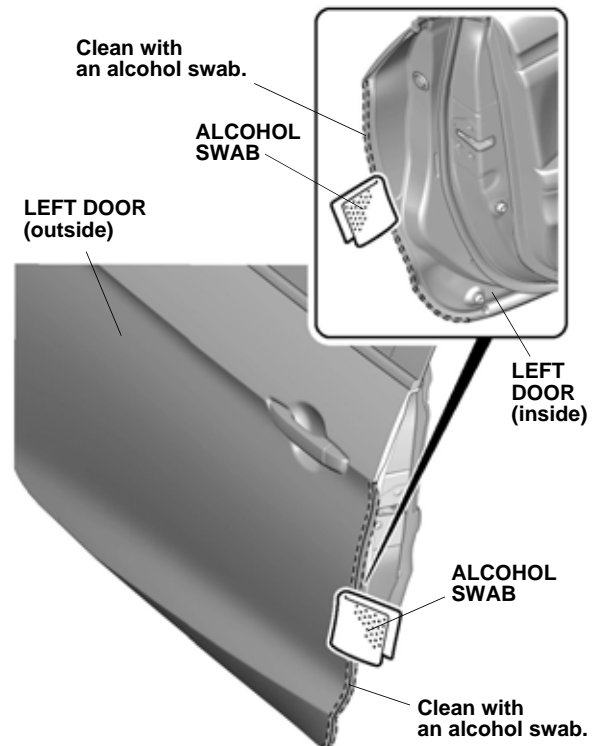
Ruler

Scissors

INSTALLATION**NOTE:**

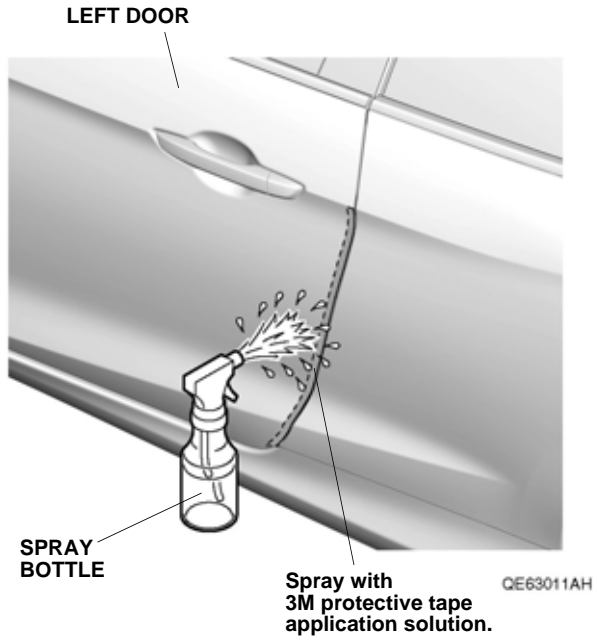
- If you are also installing side protectors (sold separately), install them after you install the door edge films.
- Identify each door edge film by referring to the identification marks.
- Be careful not to damage the paint finish.
- This door edge film kit should be installed only if the ambient air temperature is 15° C (60° F) or above.
- To allow the adhesive to cure, do not wash the vehicle for 24 hours. Make sure your customer is aware of this.

1. Open the left door. Using an alcohol swab, thoroughly clean the area where the left door edge film will attach.



QE63010AH

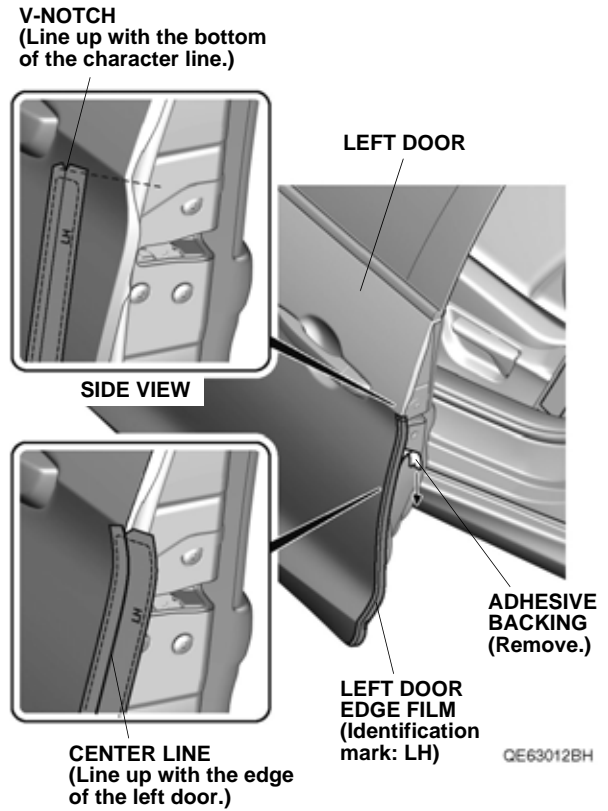
- Close the left door. Using a spray bottle with 3M protective tape application solution, spray the outer area where the left door edge film will attach. NOTE: Do not spray the inner surface.



If the vehicle is equipped with the side protectors, go to step 5; if not, continue to step 3.

Without Side Protectors

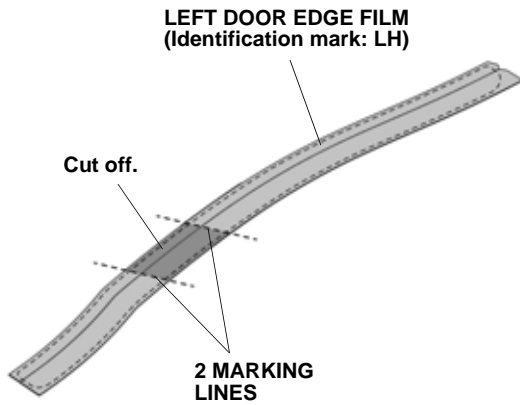
- Open the left door. Peel back about 50 mm (1.97 in.) of adhesive backing from the left door edge film. Line up the V-notch with the bottom of the character line on the left door as shown.



- Line up the center line on the left door edge film with the edge of the left door. While applying light pressure, carefully remove the adhesive backing, and attach the left door edge film to the left door. Go to step 10.

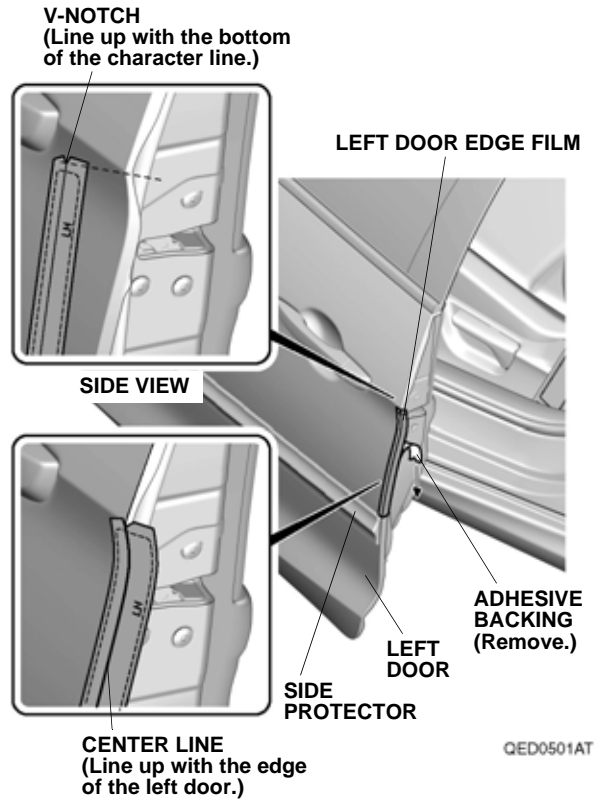
With Side Protectors

- Using scissors, cut off the left door edge film as shown.



QE96001AH

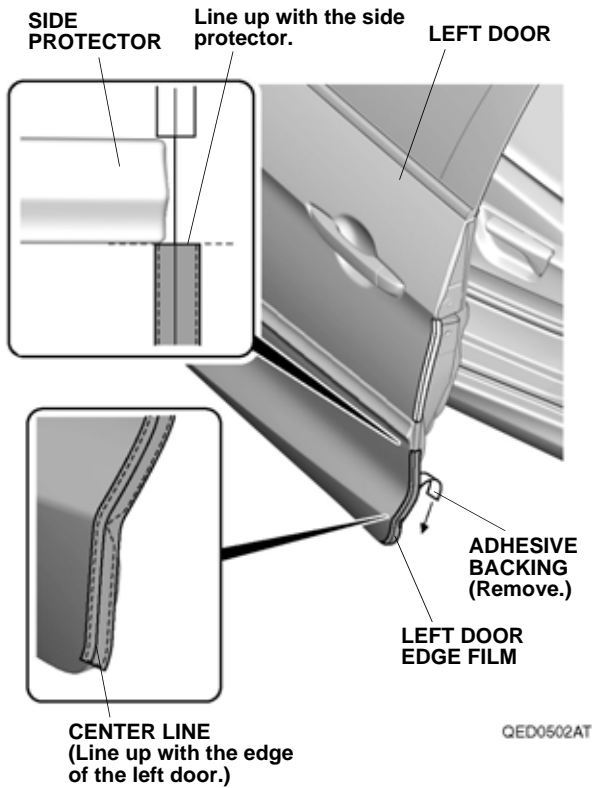
- Open the left door. Peel back about 50 mm (1.97 in.) of adhesive backing from the upper part of left door edge film. Line up the V-notch with the bottom of the character line on the left door as shown.



QED0501AT

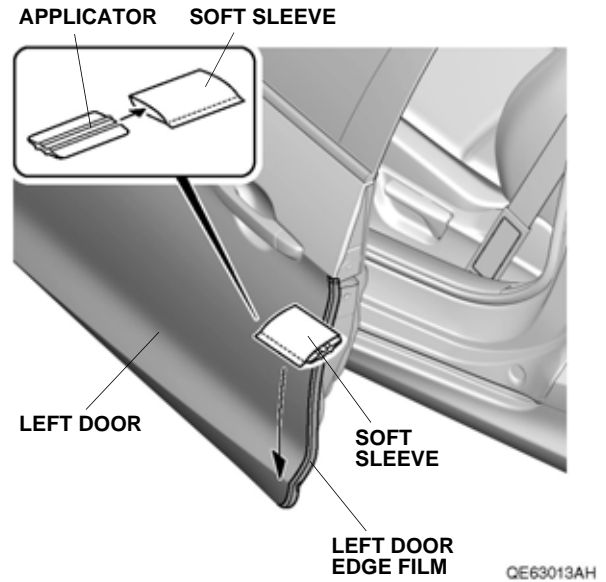
- Line up the center line on the upper part of left door edge film with the edge of the left door. While applying light pressure, carefully remove the adhesive backing, and attach the upper part of left door edge film to the left door.

- Peel back about 50 mm (1.97 in.) of adhesive backing from the lower part of left door edge film. Line up the side protector on the left door as shown.

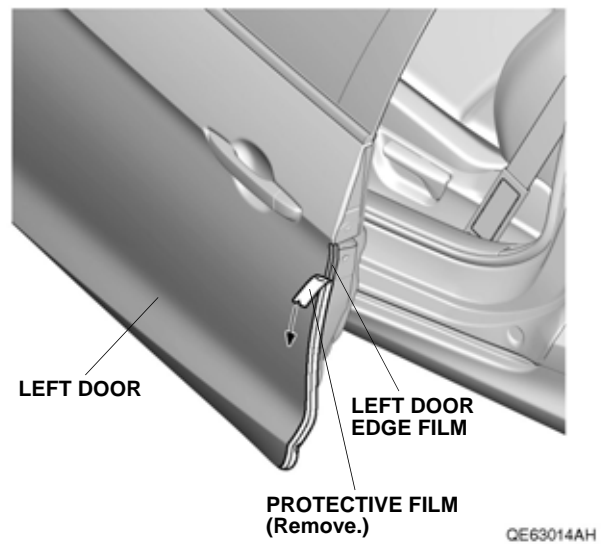


- Line up the center line on the lower part of left door edge film with the edge of the left door. While applying light pressure, carefully remove the adhesive backing, and attach the lower part of left door edge film to the left door.

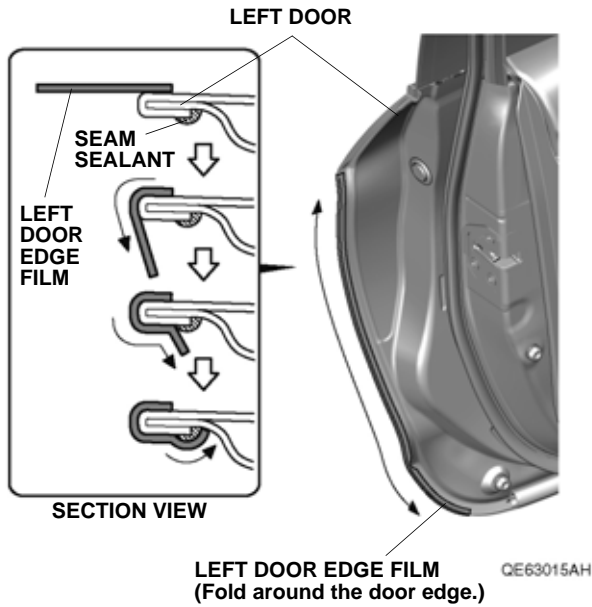
- Insert the applicator into the soft sleeve. Starting from the top and working downward, use the soft sleeve to smooth the left door edge film. Move the soft sleeve in one direction only.



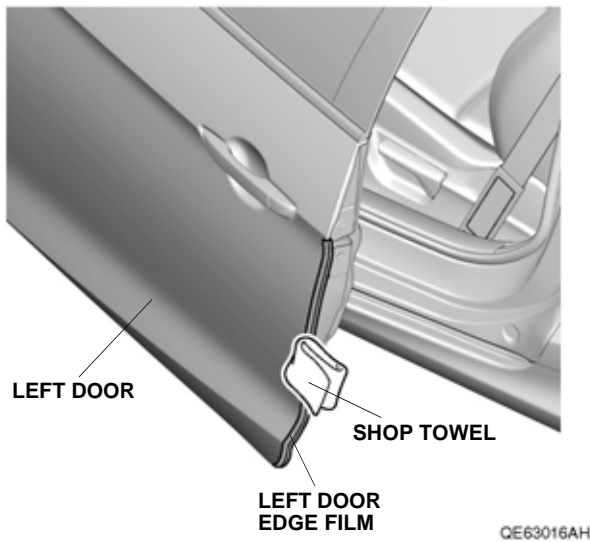
- Slowly remove the protective film from the left door edge film.



12. Starting from the center and working outward, use your fingers to fold the left door edge film around the edge of the left door as shown. Move your fingers in one direction only. Attach the left door edge film over the seam sealant. Do not trim or damage the seam sealant.



13. Using a shop towel, wipe the excess 3M protective tape application solution from the left door edge film. Allow the left door edge film to dry thoroughly.



14. Repeat steps 1 through 13 to install the right door edge film.