

INSTALLATION

Customer Information: The information in this installation instruction is intended for use only by skilled technicians who have the proper tools, equipment, and training to correctly and safely add equipment to your vehicle. These procedures should not be attempted by “do-it-yourselfers.”

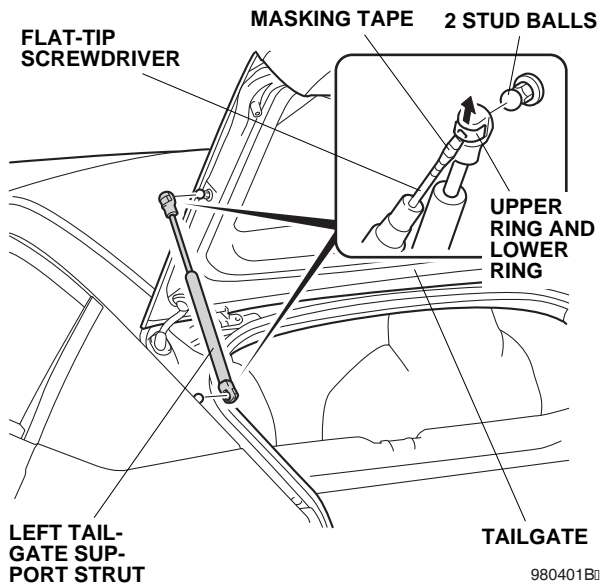
NOTE:

- Be careful not to damage the paint finish.
- This kit should be installed only if the ambient air temperature is 15°C (60°F) or above.
- To allow the adhesive to cure, do not wash the vehicle for 24 hours. Make sure your customer is aware of this.

Installing the Tailgate Spoiler

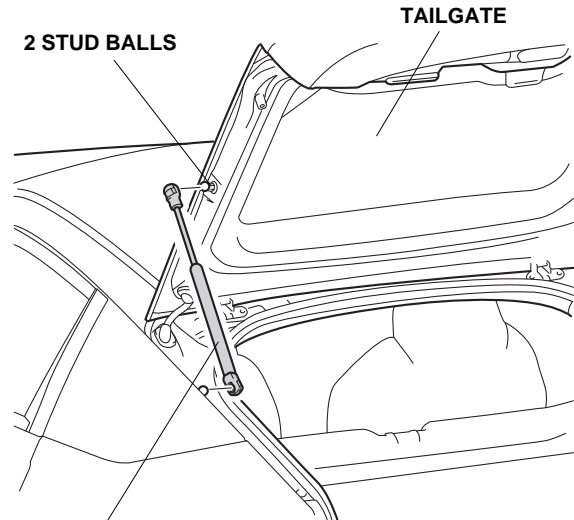
1. Open the tailgate.
2. Using a flat-tip screwdriver wrapped with masking tape, release one upper ring and one lower ring to remove the vehicle left tailgate support strut as shown.

NOTE: Have an assistant help you when removing the vehicle tailgate open stay.



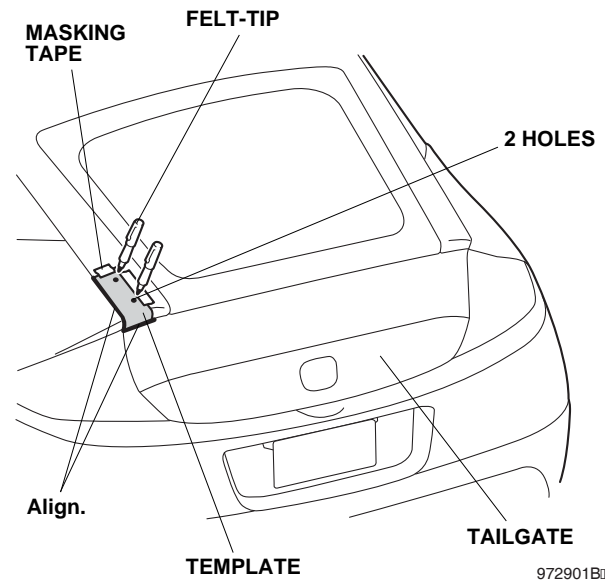
3. Install the left tailgate support strut to two stud balls on the tailgate.

NOTE: Have an assistant help you when installing the tailgate support strut.



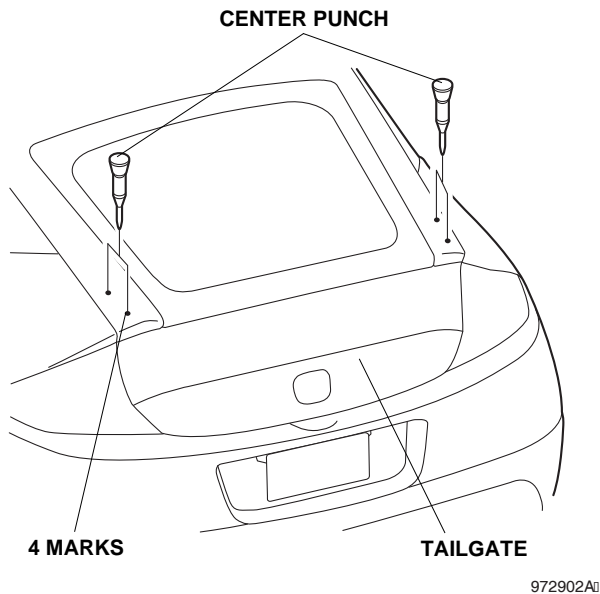
LEFT TAILGATE SUPPORT STRUT

4. Repeat steps 2 and 3 on the right side of the vehicle.
5. Close the tailgate.
6. Align the template to the edge of the tailgate, and tape in place with masking tape.

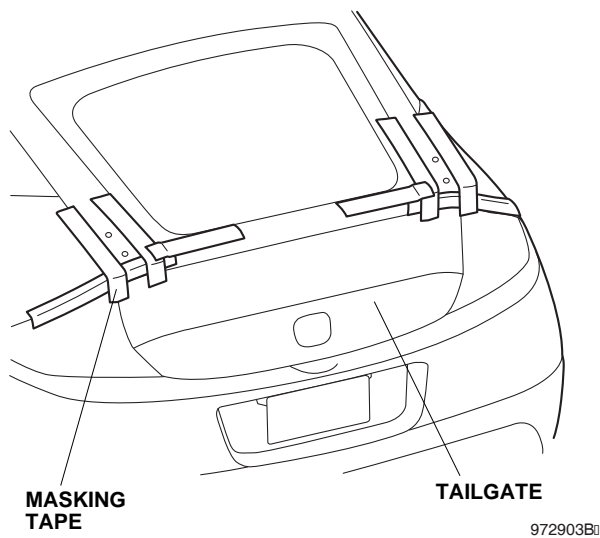


7. Using a felt-tip pen, mark two holes on the template as shown.
8. Remove the template. Turn the template over and repeat steps 6 and 7 on the right side of the vehicle.

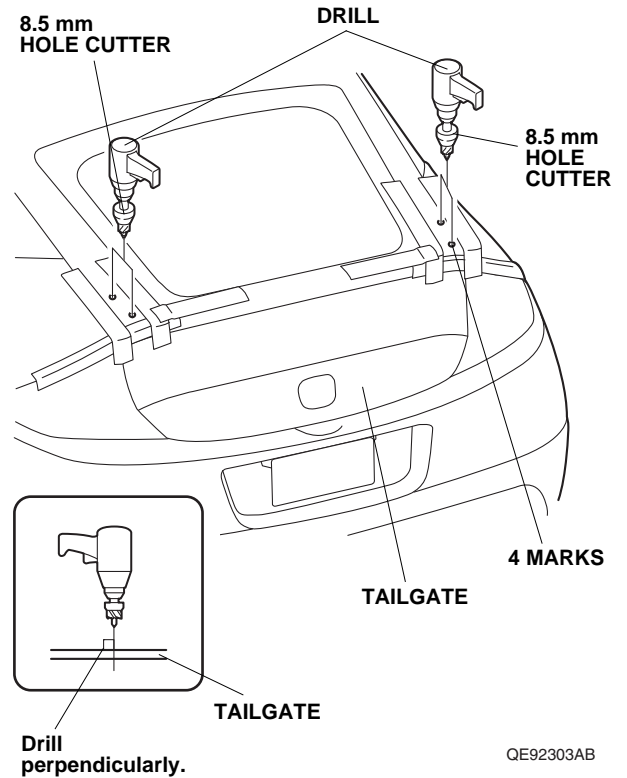
- Using a center punch, lightly punch the four marks made on the tailgate.
NOTE: Set the center punch to the minimum power setting.



- To prevent metal shavings from entering the seal area, attach masking tape to the tailgate as shown.



- While wearing eye protection, drill the four center-punched marks on the tailgate with an 8.5 mm hole cutter.
NOTE: Make sure to drill perpendicularly to the tailgate. Remove any burrs. Apply a touch-up paint to the holes made on the tailgate and allow them to dry thoroughly.



- Remove the tape attached in step 10.
- Using isopropyl alcohol on a shop towel, thoroughly clean the area where the tailgate spoiler will attach.

