



# INSTALLATION INSTRUCTIONS

Accessory  
**REAR DIFFUSER SPOILER**  
P/N 08F03-SZT-1T0

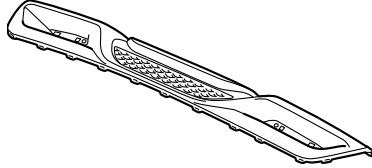
Application  
**2016 CR-Z**

Publications No.  
**VERSION 1**

Issue Date  
**OCT 2015**

## PARTS LIST

Rear diffuser spoiler



## TOOL AND SUPPLIES REQUIRED

Phillips screwdriver

Trim Tool Set (SOJATP2014)

(Available through the Honda Tool and Equipment program. On the iN, click on: Service/Service Bay/Tool and Equipment Program, then enter the number under "Search." Or call 888-424-6857.)

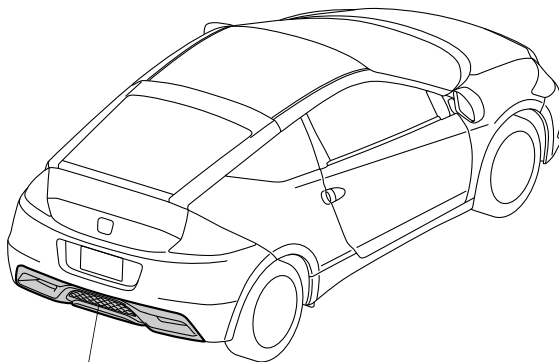
5 mm Hex wrench

Stubby phillips screwdriver

Blanket

10 mm Open end wrench

## *Illustration of the Rear Diffuser Spoiler on the Vehicle*



**REAR DIFFUSER  
SPOILER**

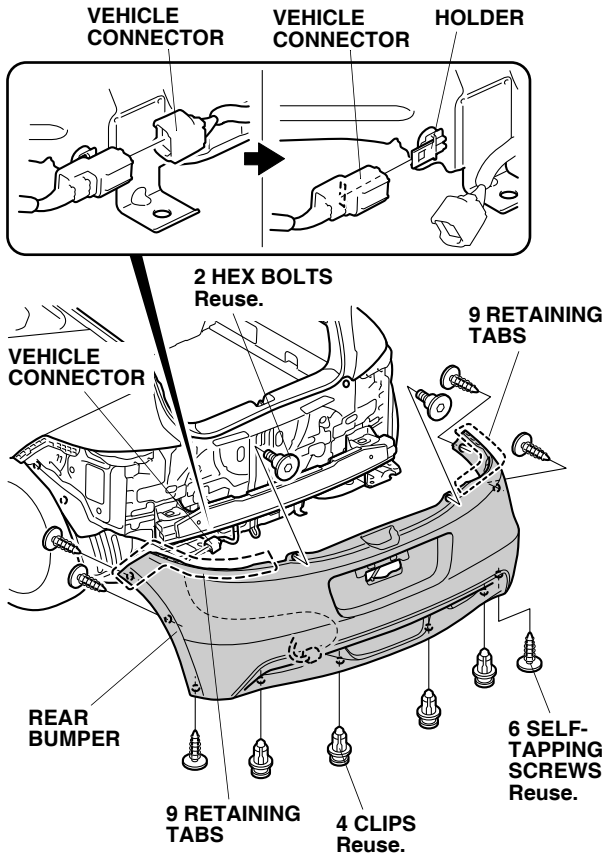
## INSTALLATION

**Customer Information:** The information in this installation instruction is intended for use only by skilled technicians who have the proper tools, equipment, and training to correctly and safely add equipment to your vehicle. These procedures should not be attempted by "do-it-yourselfers."

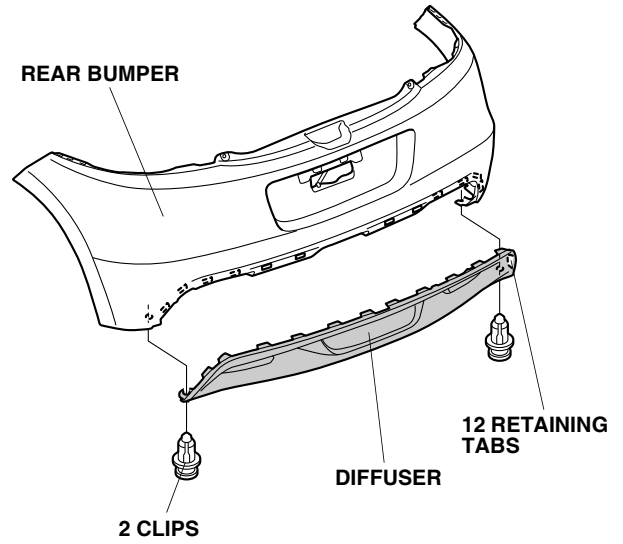
**NOTE:** Be careful not to damage the vehicle paint finish.

1. Disconnect the negative cable from the battery.

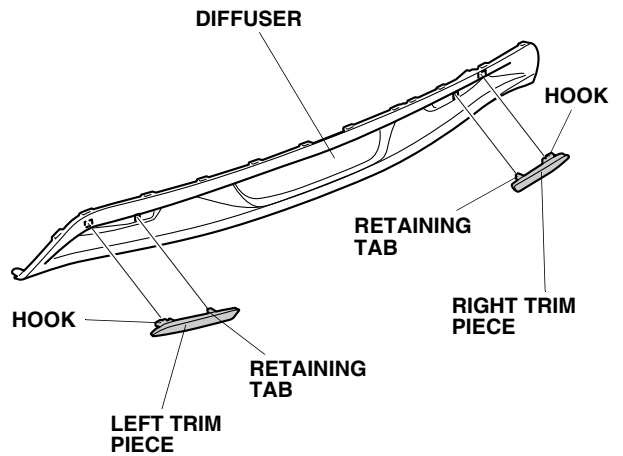
- Open the hatch. With the help of an assistant, remove the rear bumper. Place the rear bumper on a blanket after removal.



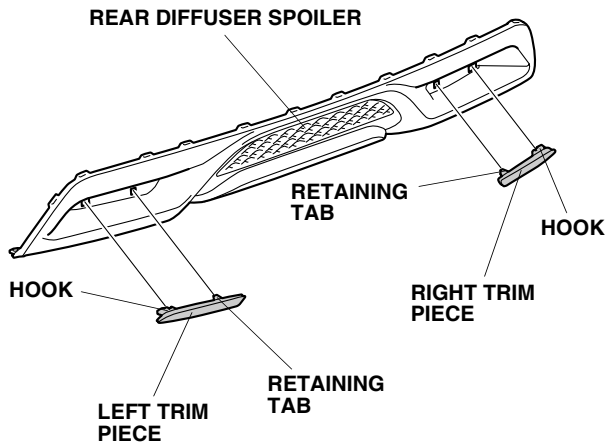
- Remove the diffuser.



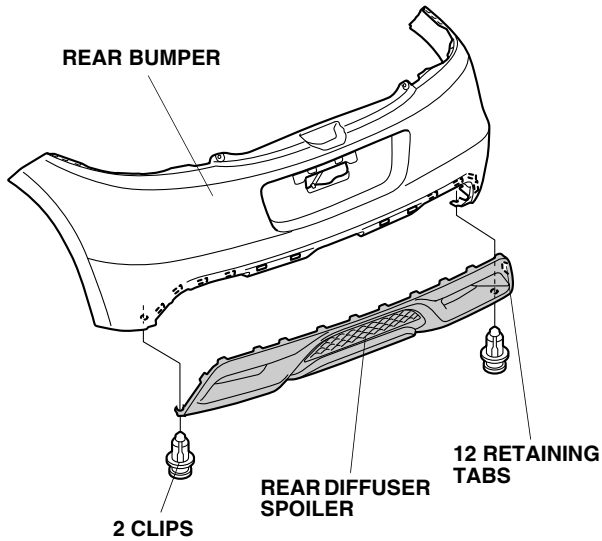
- Remove the right and left trim pieces.



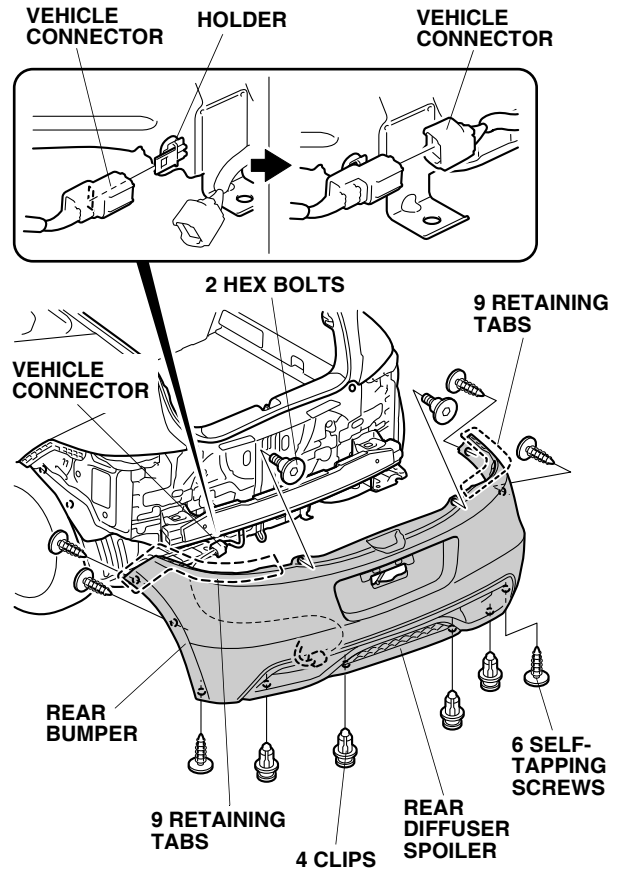
6. Install the right and left trim pieces to the rear diffuser spoiler.



7. Install the rear diffuser spoiler to the rear bumper.



8. With the help of an assistant, reinstall the rear bumper.



9. Reconnect the negative cable to the battery.
10. Press and hold the audio unit power button for 2 seconds to restore the audio and navi (if equipped) system functions.
11. Set the clock.
12. If the IMA battery charge level indicator is at zero, start the engine and hold it between 3,500 and 4,000 rpm (without load) in Park or Neutral until the IMA battery charge level indicator is at least half charged.

## **USE AND CARE**

**Please copy this page and hand it to your customer.**

The rear diffuser spoiler has a textured surface. To prevent wax build-up on the textured surface, do not wax the rear diffuser spoiler. To clean the textured surface, use a soft brush to remove any debris.