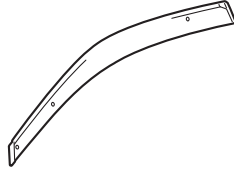
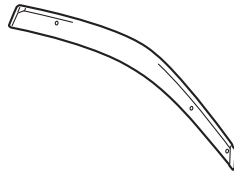


**PARTS LIST**

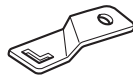
Left door visor



Right door visor



Left bracket A



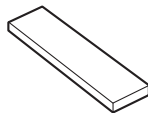
Right bracket A



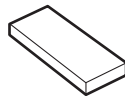
4 Brackets B



2 Sealers A (Long)



2 Sealers B (Short)



6 Clips

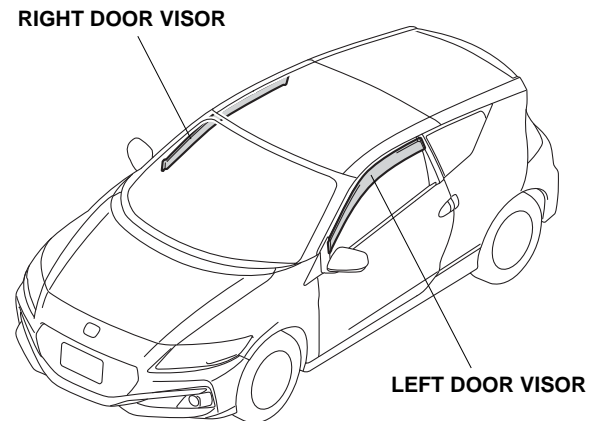
**TOOLS AND SUPPLIES REQUIRED**

Isopropyl alcohol

Shop towel

Masking tape

Ruler

***Illustration of the Door Visors on the Vehicle***

QE33001AA

**INSTALLATION**

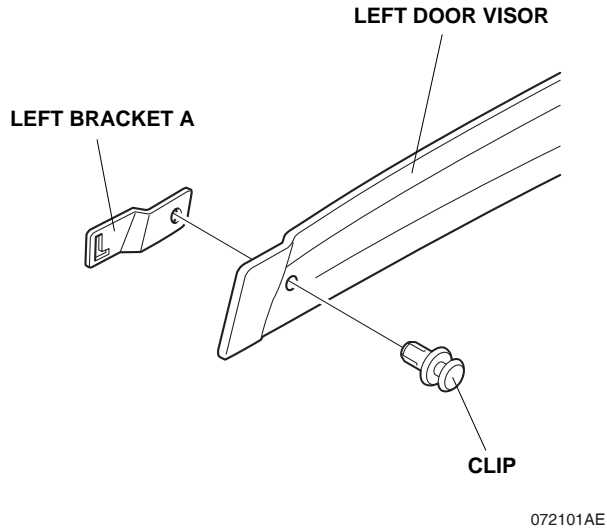
**Customer Information:** The information in this installation instruction is intended for use only by skilled technicians who have the proper tools, equipment, and training to correctly and safely add equipment to your vehicle. These procedures should not be attempted by "do-it-yourselfers."

**NOTE:**

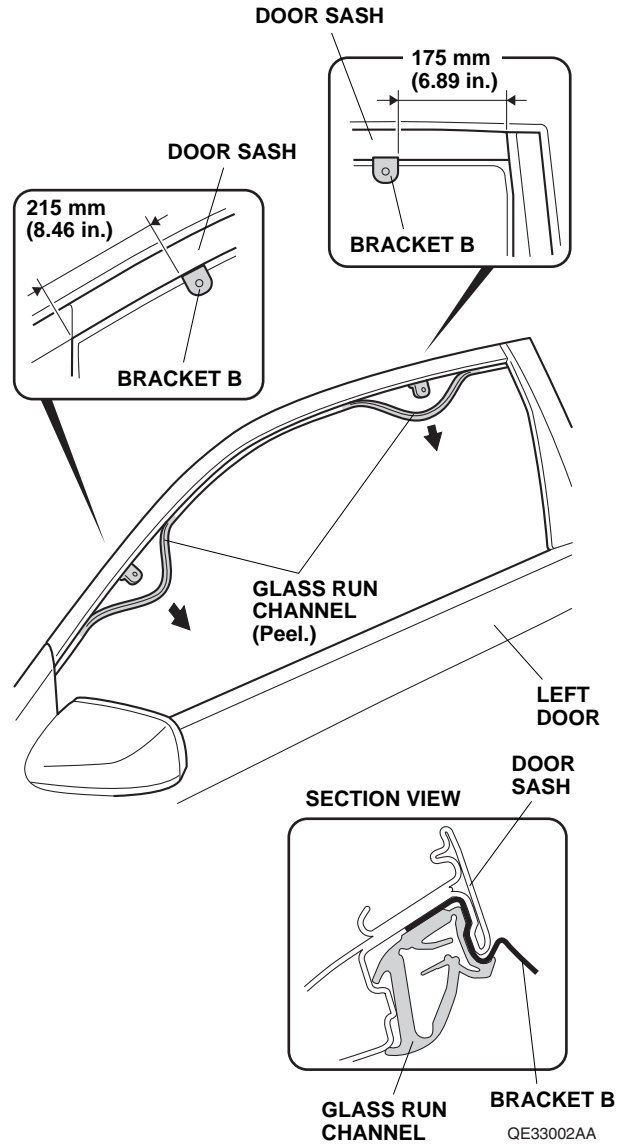
- These instructions show the left door visor being installed. The same procedure applies to installing the right door visor.
- Do not damage the body paint finish and glass run channels when installing the door visors.
- Handle the door visors with care. They are not designed to absorb shock or impact.
- This kit should be installed only if the ambient air temperature is 15° C (60° F) or above.
- To allow the adhesive to cure, do not wash the vehicle for 24 hours. Make sure your customer is aware of this.

## Installing the Door Visor

1. Install the left bracket A to the left door visor with one clip.  
NOTE: Be extremely careful when installing the clips; they cannot be reinstalled after installation.



2. Fully lower the left door glass.

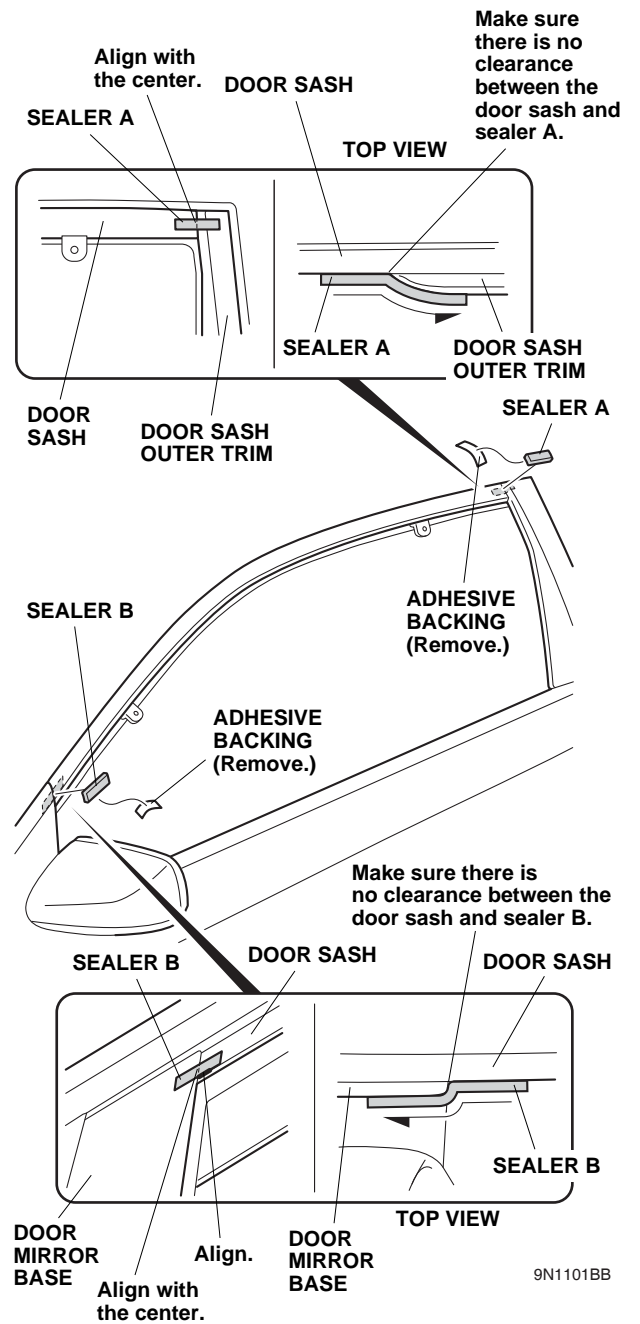


3. Pull back the door glass run channel.
4. Install the two brackets B in the door sash as shown.
5. Install the door glass run channel and secure the two brackets. Check that the brackets are installed on the door sash as shown and that the door glass run channel is installed properly.

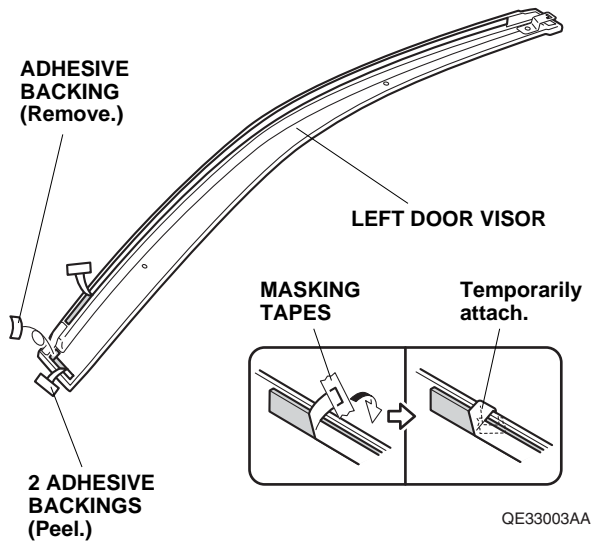
6. Using isopropyl alcohol on a shop towel, thoroughly clean the area where the left door visor will attach.



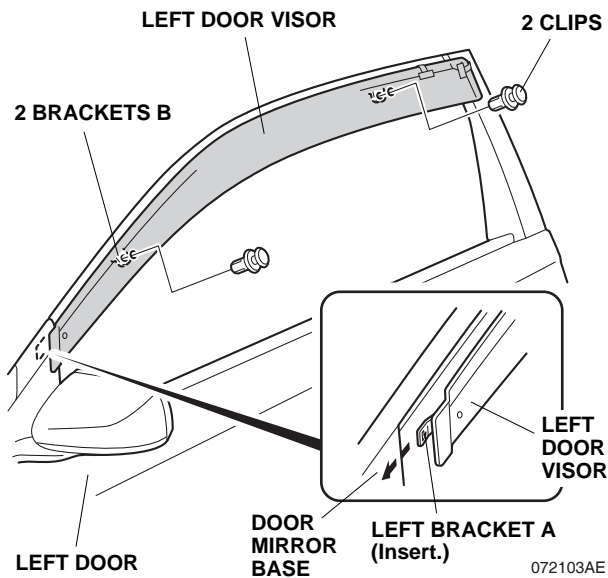
7. Remove the adhesive backings from one sealer A and one sealer B and attach them to the door sash as shown.  
NOTE: Make sure there is no clearance between the door sash and sealers.



- Apply a piece of masking tape to the end of the adhesive backings as shown. Peel back the adhesive backings partway and temporarily attach them to the front surface of the left door visor.

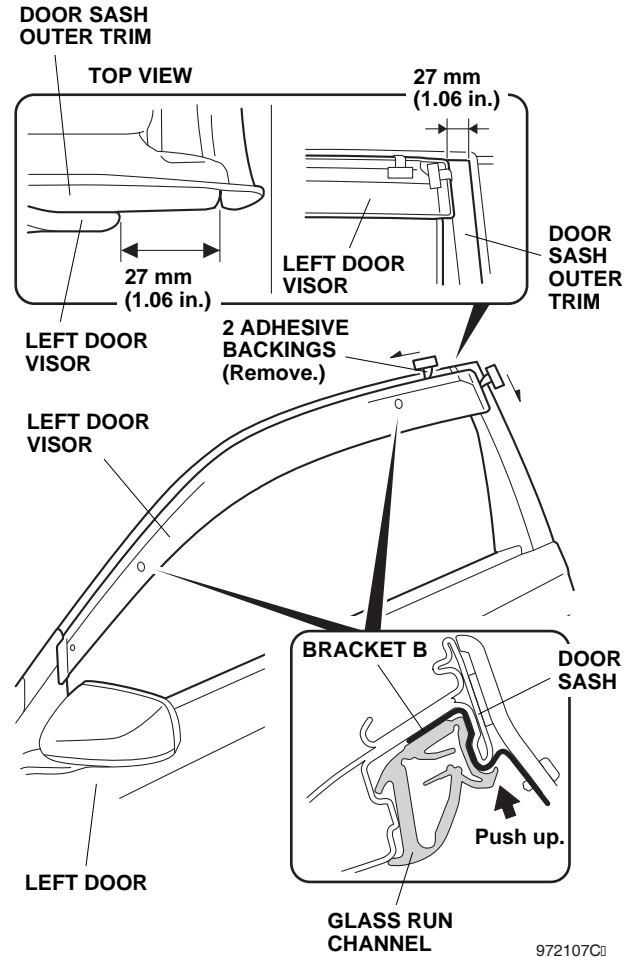


- Remove the remaining adhesive backing.
- Insert the left bracket A on the left door mirror base.



- Secure the left door visor to the two brackets B with two clips. Make sure to push up on the brackets B while installing the two clips.  
NOTE: Be extremely careful when installing the clip. It can not be removed and reinstalled after installation.

- Line up the left door visor as shown.



- While applying light pressure against the left door visor, carefully remove the taped adhesive backings. Make sure to push up on the brackets B while removing the adhesive backings.
- Using the palm of your hand, firmly press the left door visor against the door sash.
- Repeat steps 1 through 14 on the right side.

## **CONFIRMATION AFTER INSTALLATION**

### **RESTORATION OPERATIONS**

1. Start the engine.
2. Using the power window switch, fully open the window and check that the run channel is not pinched.
3. Using the power window switch, repeat opening and close the window from half-open to fully closed 10 times to allow the glass run channel to wear in. (The window should not bind.)
4. If necessary refer to the online service information to reset the power window. (If the automatic closing/opening does not function after the reset, reset again.)
5. If necessary refer to the online service information to carry out “learning” of the power window. (If the automatic closing/opening does not function after the learning, carry out “learning” again.)

NOTE: The operations in the steps 3 and 4 should be done to all power windows having the automatic closing/opening function to allow for proper functioning of the auto-reverse function after installing the door visors.

### **USE AND CARE**

Clean the door visors with mild detergent and water. Do not use organic solvents (thinners, benzine, alcohol, etc.) or cleaners containing any abrasive material.