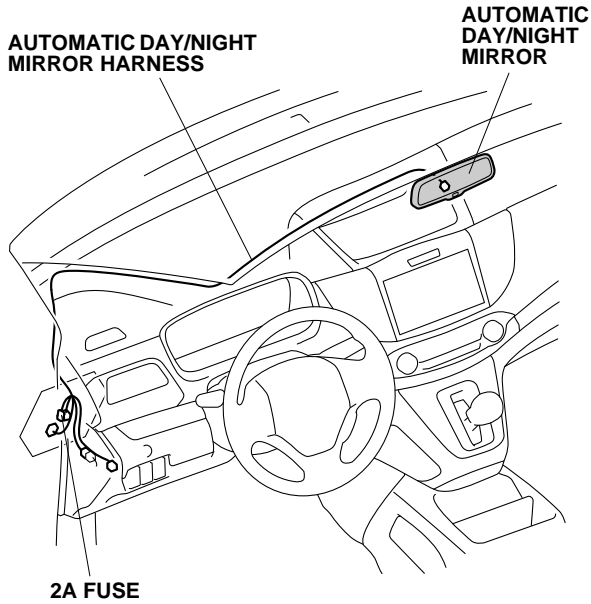




**Illustration of the Automatic Day/Night Mirror Installed on the Vehicle**

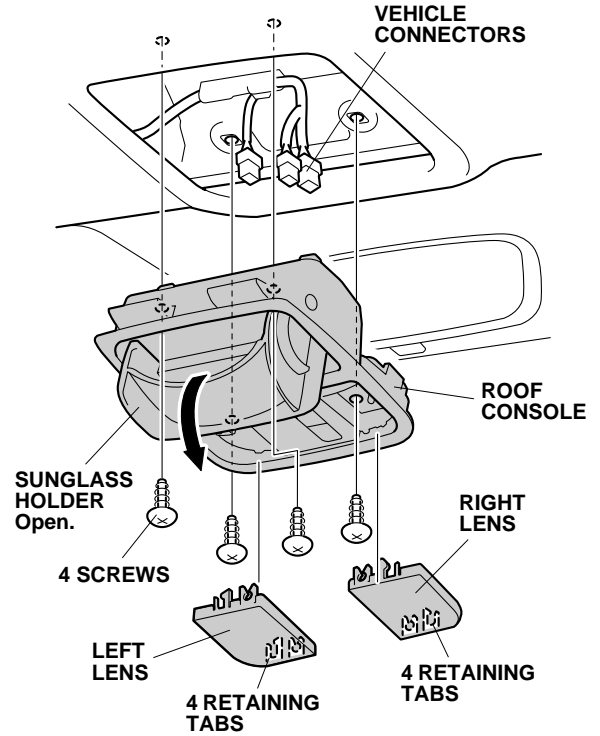


**INSTALLATION**

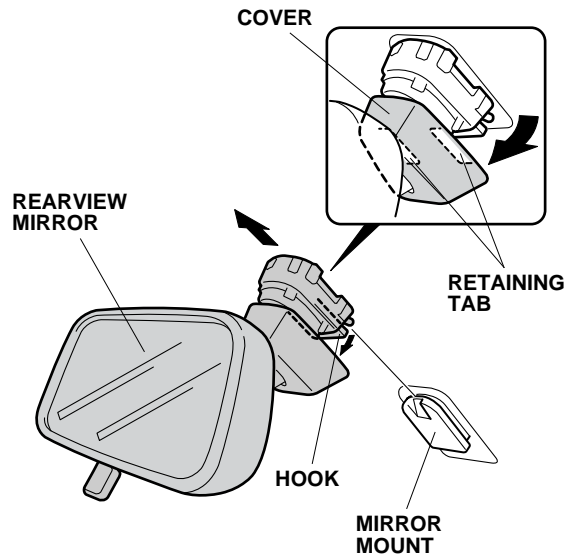
**Customer Information:** The information in this installation instruction is intended for use only by skilled technicians who have the proper tools, equipment, and training to correctly and safely add equipment to your vehicle. These procedures should not be attempted by “do-it-yourselfers.”

1. Disconnect the negative cable from the battery.

2. Remove the roof console.
  - Using a plastic trim tool, pry out and remove the left and right lens (four retaining tabs each).
  - Open the sunglass holder and remove four screws.
  - Remove the roof console (unplug the vehicle connectors).

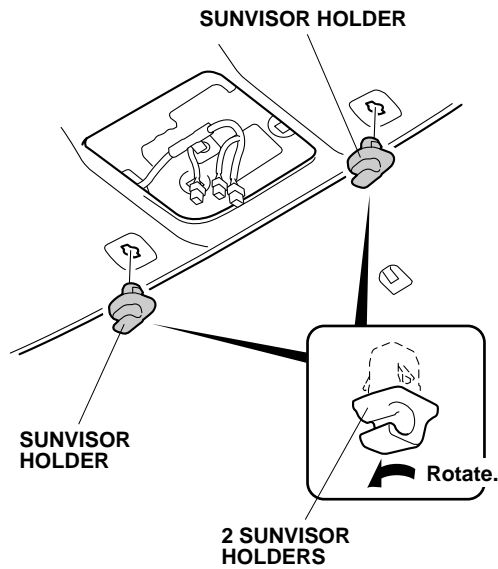


3. Remove the cover (two retaining tabs).



4. While holding down the hook, remove the rearview mirror from the mirror mount as shown.

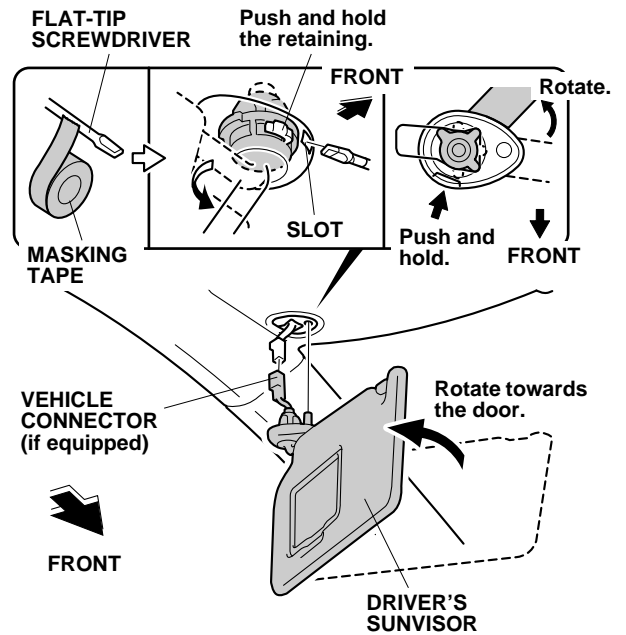
- Release the driver's sunvisor and passenger's sunvisor from the two sunvisor holders.



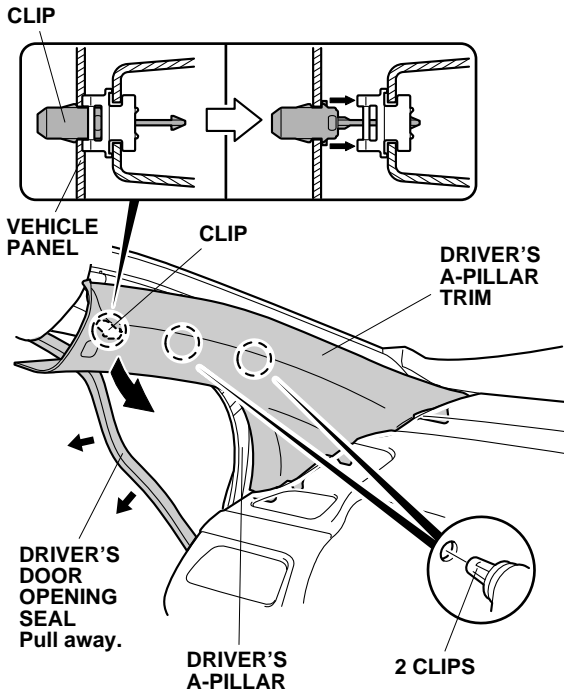
- Rotate each sunvisor holders 45° counterclockwise to remove the two sunvisor holders.

- Remove the driver's sunvisor.
  - Turn the sunvisor toward the driver's seat.
  - Locate the slot in the sunvisor holder, and insert a flat-tip screwdriver wrapped with a masking tape into the slot. Push in and hold the retaining tab.
  - While holding the retaining tab, push up on the sunvisor and rotate it toward the door.
 

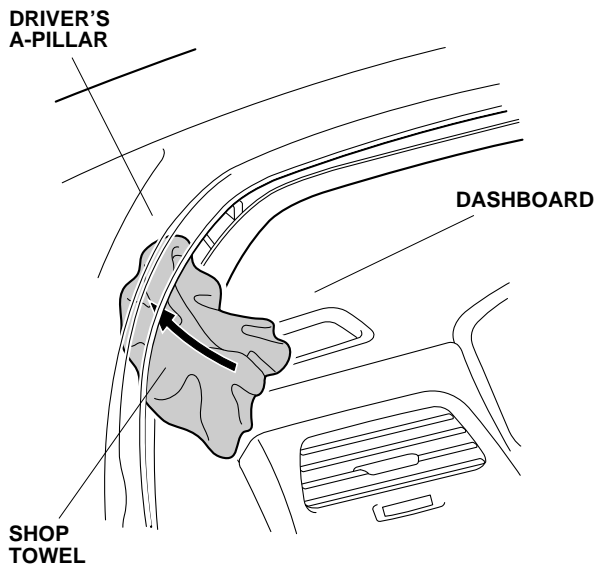
NOTE: If the retaining tab did not stay pushed in, return the driver's sunvisor to its original position and repeat the above steps.
  - Remove the driver's sunvisor (unplug the vehicle connector if equipped).



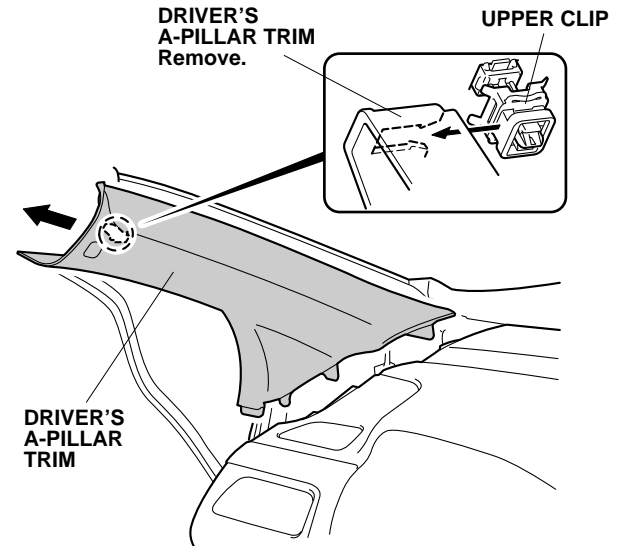
- Pull away the driver's door opening seal, from the driver's A-pillar. Gently pull out the driver's A-pillar trim to release the clips.



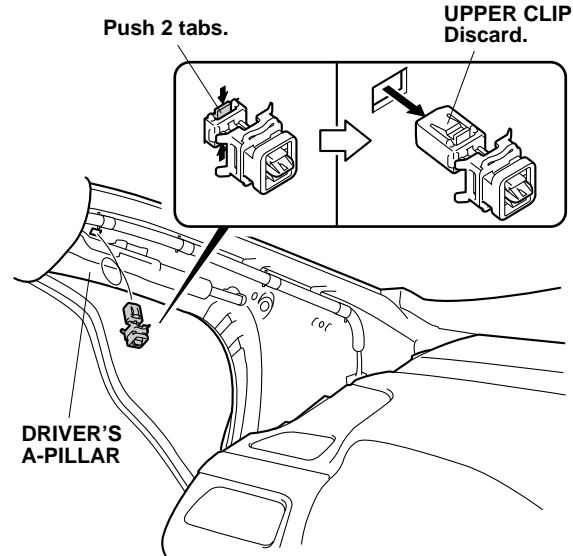
- To prevent the clips from falling into the vehicle body, roll up the shop towel, and insert it between the driver's A-pillar and the dashboard. Take care not to damage the driver's A-pillar.



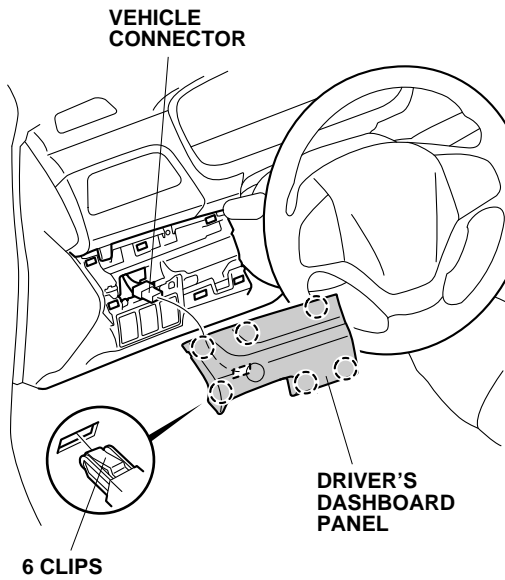
- Remove the driver's A-pillar trim. Carefully remove the shop towel and any clips that fell from the driver's A-pillar trim.



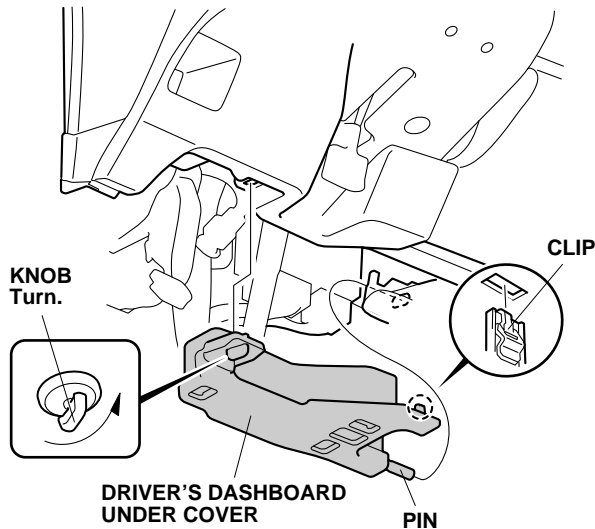
- Remove the remaining upper clip from the driver's A-pillar.



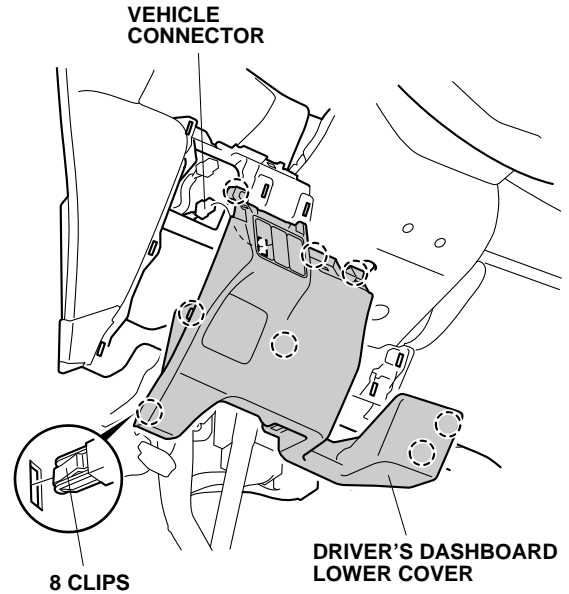
12. Remove the driver's dashboard panel (six clips and unplug the vehicle connector).



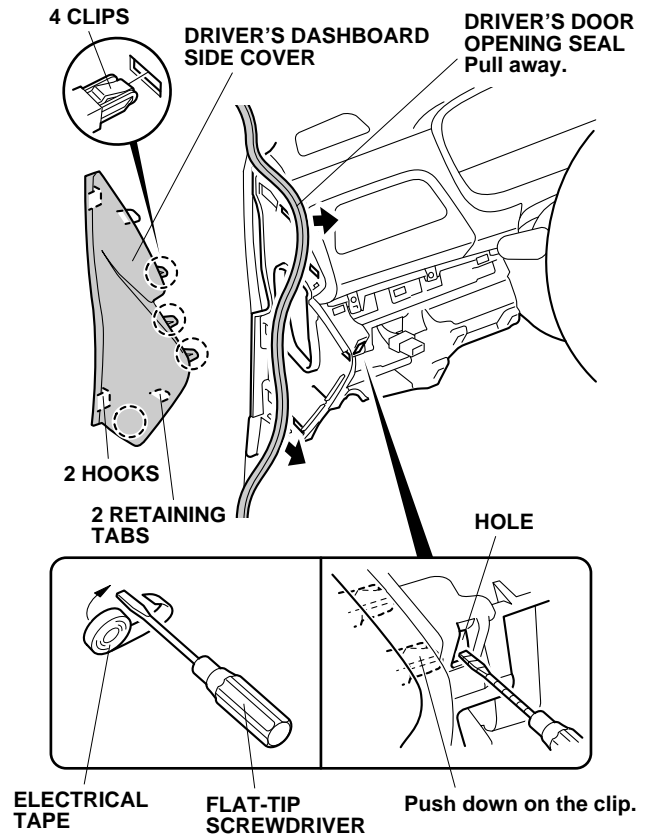
13. Remove the driver's dashboard under cover (turn the knob, one clip and one pin).



14. Remove the driver's dashboard lower cover (eight clips and unplug the vehicle connector).

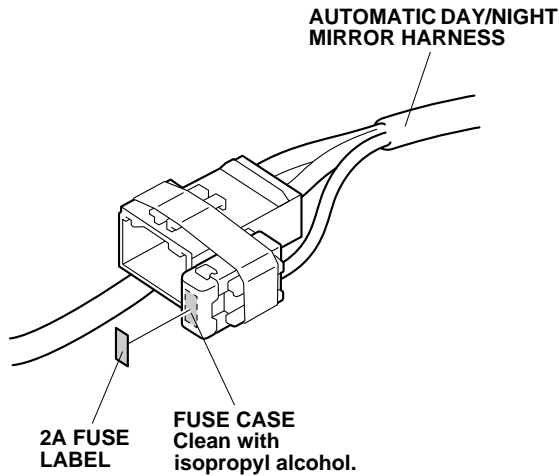


15. Pull away the driver's door opening seal, and remove the driver's dashboard side cover (two retaining tabs, four clips, and two hooks). To release the front clip, insert a flat-tip screwdriver wrapped with electrical tape into the dashboard hole, and push down on the clip.



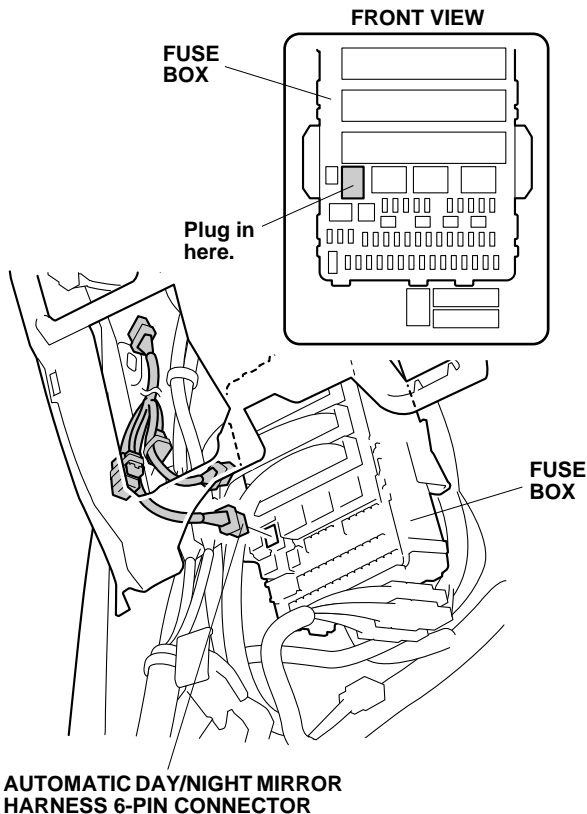
## Routing the Automatic Day/Night Mirror Harness

- Using isopropyl alcohol on a shop towel, thoroughly clean the fuse case where the fuse label will attach. Attach the 2A fuse label to the fuse case on the automatic day/night mirror harness.

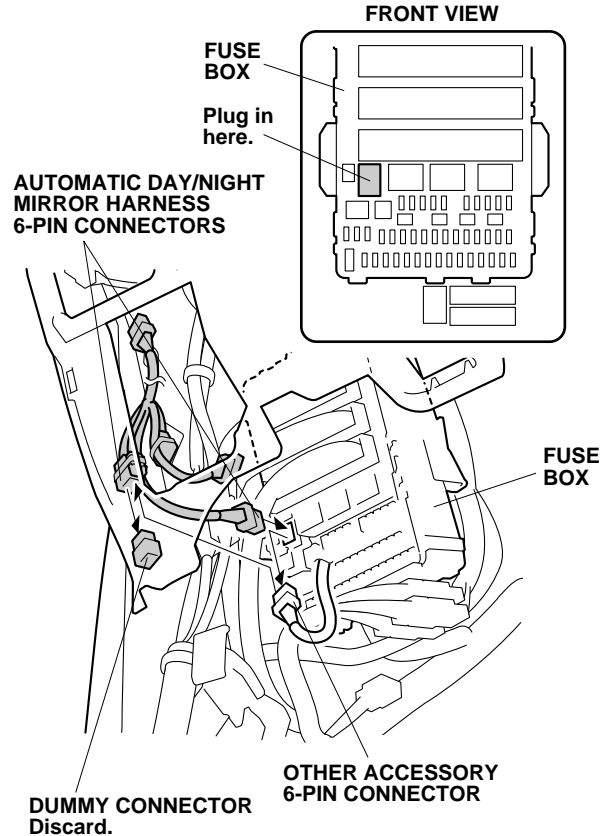


*If the 6-pin connector is already used by another accessory, go to step 18. Otherwise, continue with step 17.*

- Plug the automatic day/night mirror harness 6-pin connector into the fuse box. Go to step 20.



- Unplug the other accessory 6-pin connector from the fuse box, and plug the automatic day/night mirror harness 6-pin connector into the fuse box.



- Remove the dummy connector from the automatic day/night mirror harness 6-pin connector, and plug the other accessory 6-pin connector to the automatic day/night mirror harness 6-pin connector.









