



# INSTALLATION INSTRUCTIONS

Accessory  
SIDE UNDER SPOILERS

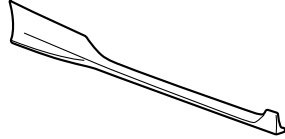
Application  
201\* ACCORD  
2-DOOR

Publications No.  
VERSION 1

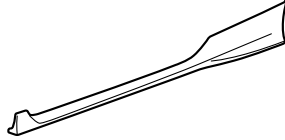
Issue Date  
AUG 2011

## PARTS LIST

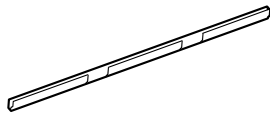
Right spoiler



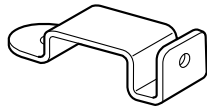
Left spoiler



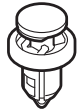
2 Rails



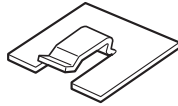
2 Clamps



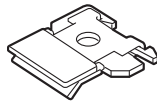
2 Clips



2 Brackets B



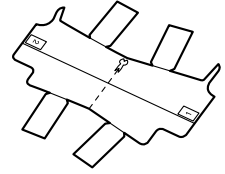
4 Flare nuts



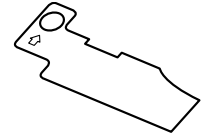
4 Self-tapping screws



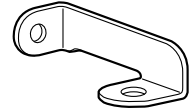
Template A



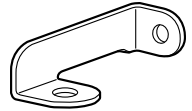
Template B



Right bracket A



Left bracket A



2 Bracket screws



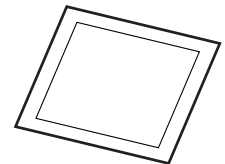
2 Bolts



2 Washer-nuts



4 Alcohol swabs



2 Washers



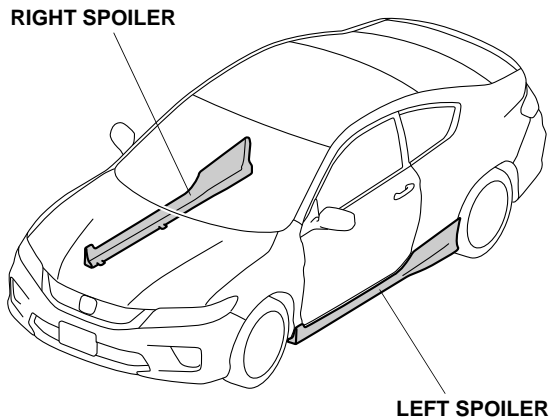
## TOOL AND SUPPLIES REQUIRED

Phillips screwdriver  
Isopropyl alcohol  
Shop towel  
Masking tape  
Scissors  
Ruler  
Soap  
Ratchet  
10 mm Socket  
Torque wrench  
10 mm Open end wrench  
Felt-tip pen  
Utility knife  
Touch-up paint  
Tape measure

*The following tool is available through the Honda Tool and Equipment Program. On the iN, click on: Service > Service Bay > Tool and Equipment Program, then enter the number under "Search." Or, call 888-424-6857.*

- Rubber Roller (T/N MHLE54D)

### **Illustration of the Side Under Spoilers on the Vehicle**



QB32801AY

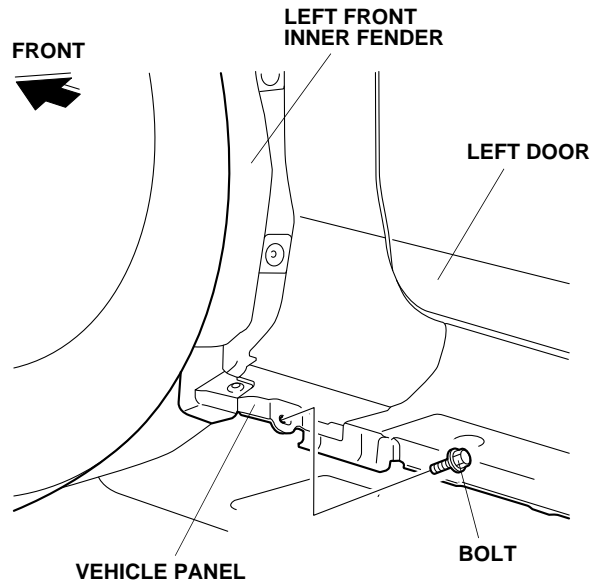
## INSTALLATION

**Customer Information:** The information in this installation instruction is intended for use only by skilled technicians who have the proper tools, equipment, and training to correctly and safely add equipment to your vehicle. These procedures should not be attempted by "do-it-yourselfers."

### NOTE:

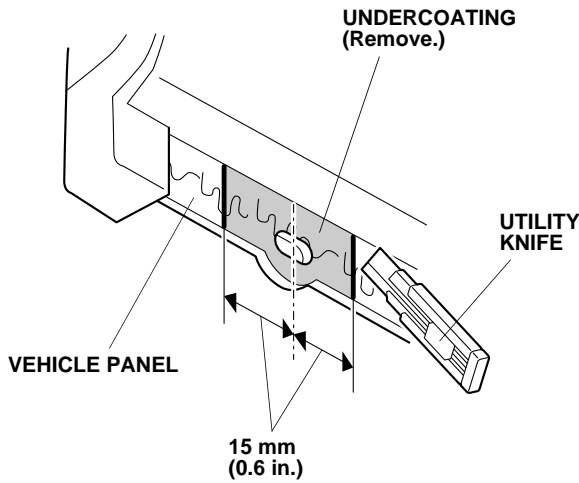
- These instructions show the left spoiler being installed. The same procedure applies to installing the right spoiler.
- Be careful not to damage the paint finish.
- This kit should be installed only if the ambient air temperature is 15°C (60°F) or above.
- To allow the adhesive to cure, do not wash the vehicle for 24 hours. Please advise the customer.

1. With the vehicle on a lift, locate and remove the bolt from the vehicle panel.



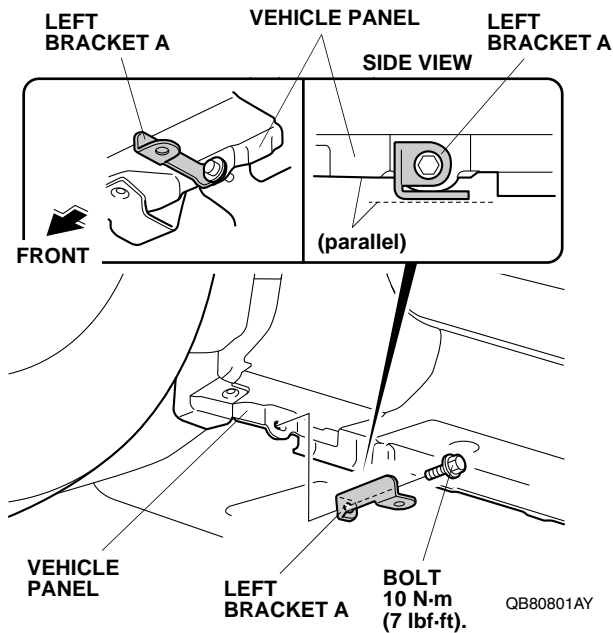
QB12501AG

- Using a utility knife, remove the undercoating at the measurement shown.



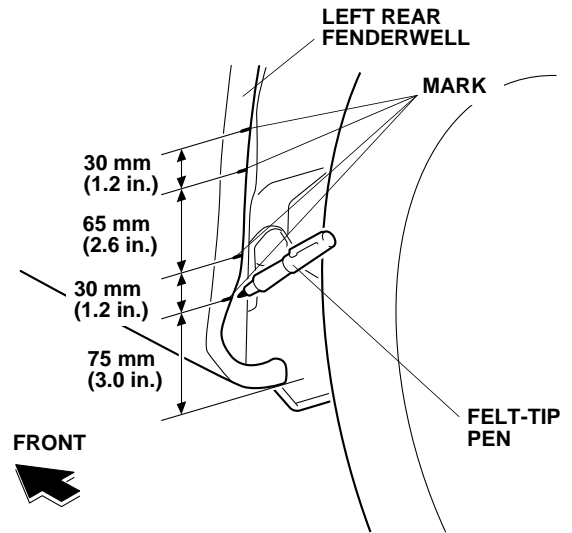
QB12502AG

- Apply touch-up paint to the area where you removed the undercoating, and allow it to dry thoroughly.
- Secure the left bracket A to the vehicle panel with the bolt removed in step 1. Torque the bolt to 10 N·m (7 lbf·ft).



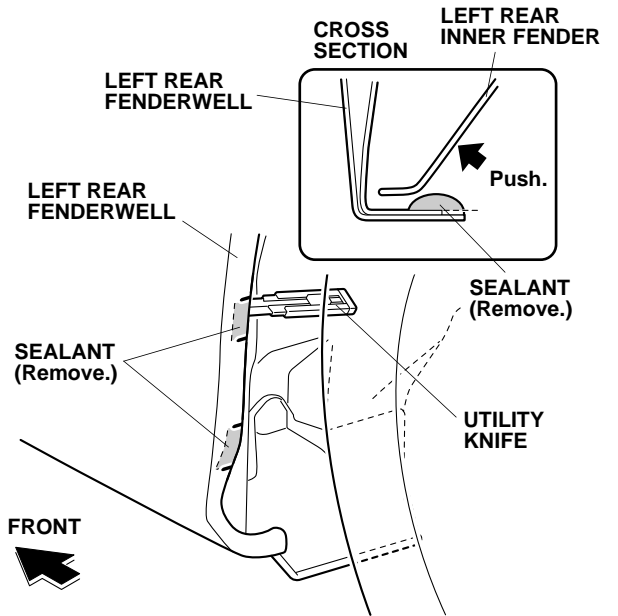
QB80801AY

- Using a felt-tip pen, mark the left rear fenderwell at the measurements shown.



QB40406BY

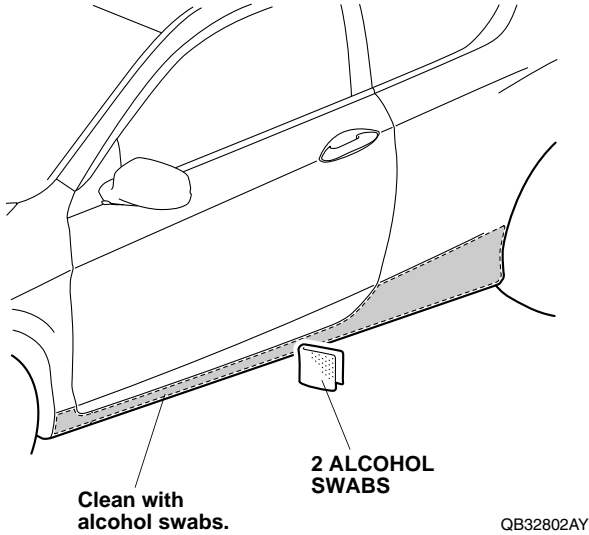
- Using a utility knife, remove any sealant on the inside of the left rear fenderwell in the area shown. Be careful not to damage the paint finish.



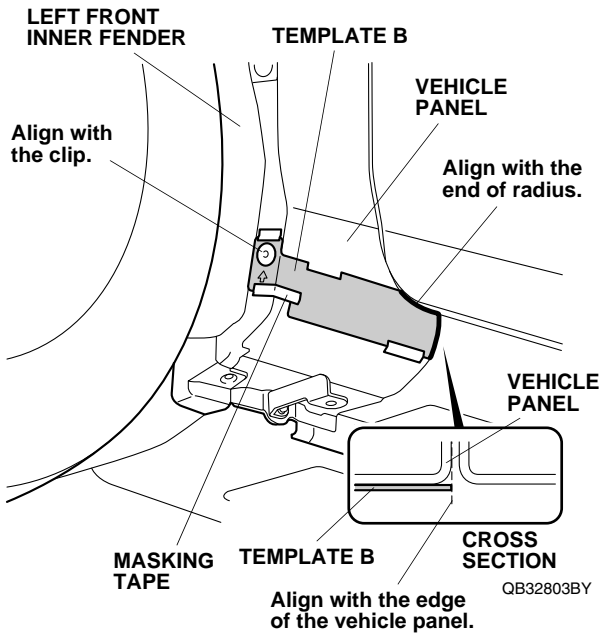
QB40407BY

- Apply touch-up paint to the areas where you removed the sealant, and allow it to dry thoroughly.

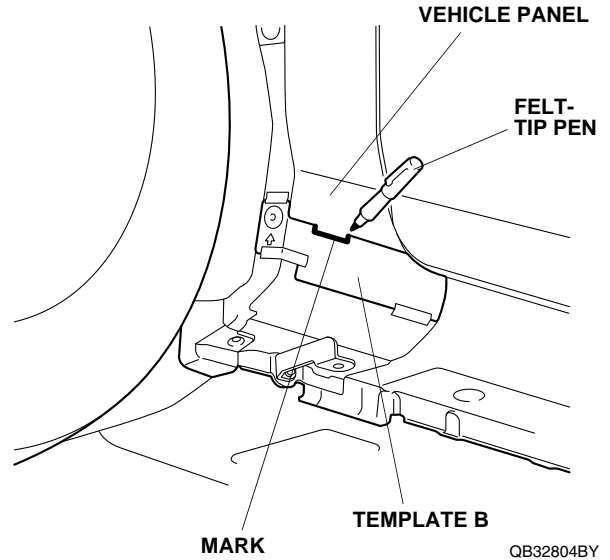
- Using two alcohol swabs, thoroughly clean the body where the left spoiler will attach.



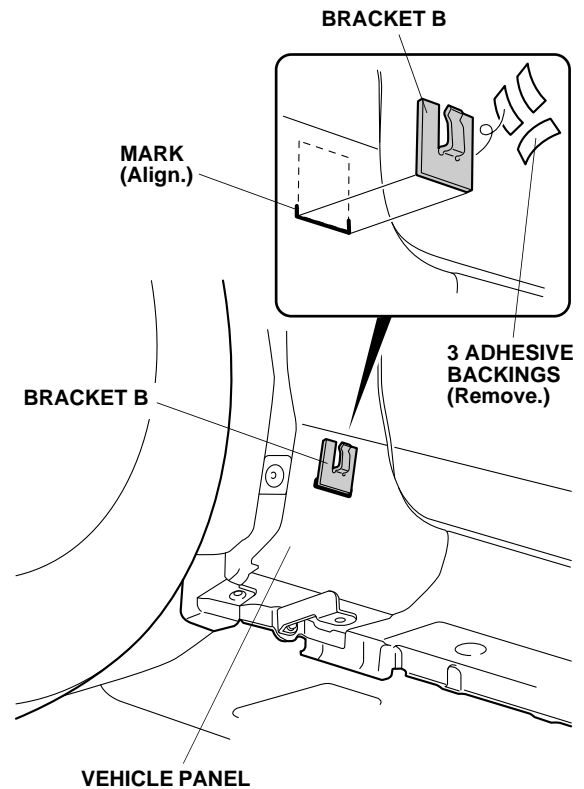
- Place template B on the vehicle panel in the area shown, and attach it with masking tape.



- Using a felt-tip pen, mark the vehicle panel in the area shown. Remove template B. Be careful not to damage the template. It is also used to mark the right side of the vehicle.

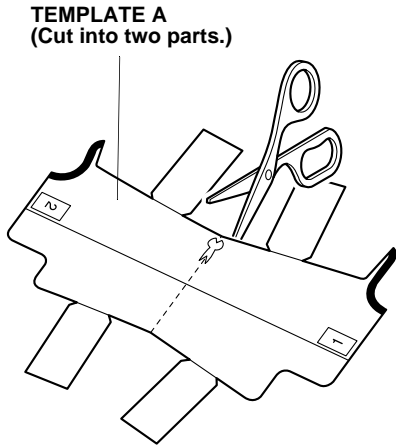


- Remove the three adhesive backings from bracket B.



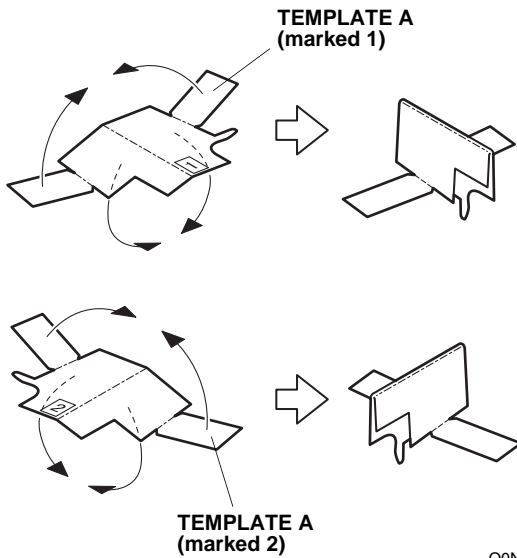
- Align bracket B with the mark made in step 10, and attach it to the vehicle panel. Press and hold the bracket firmly against the vehicle for 30 seconds.

13. Using scissors, cut out template A.



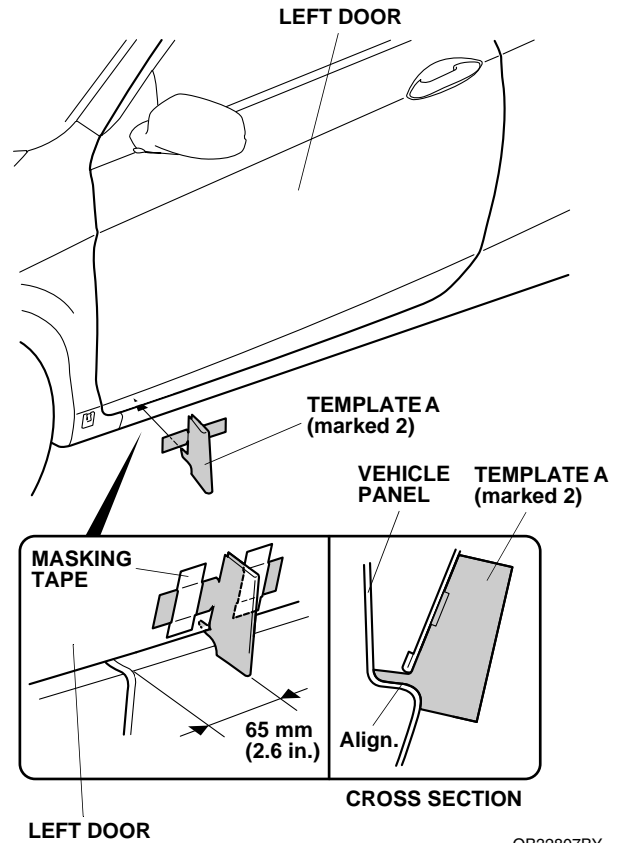
QB32806AY

14. Fold each part of template A as shown.



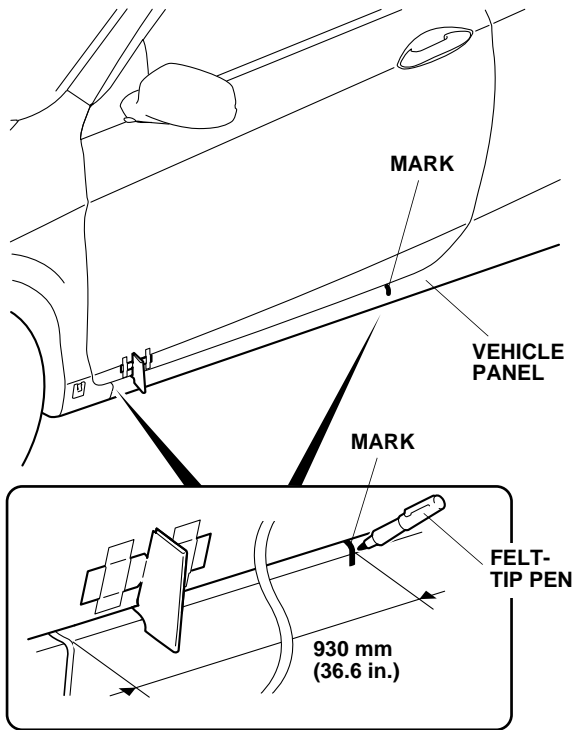
Q0N1103BJ

15. Place template A (marked 2) into position at the location shown. Align template A with the vehicle panel; lightly push down on the template, and attach it to the left door with masking tape. Make sure there is no gap between the template and the vehicle panel.



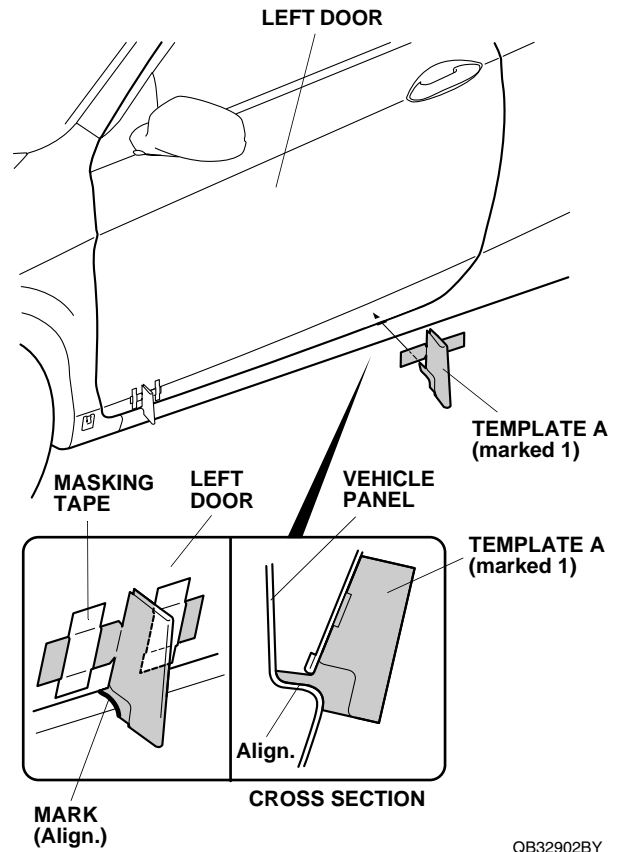
QB32807BY

16. Using a felt-tip pen, mark the vehicle panel at the measurement shown.



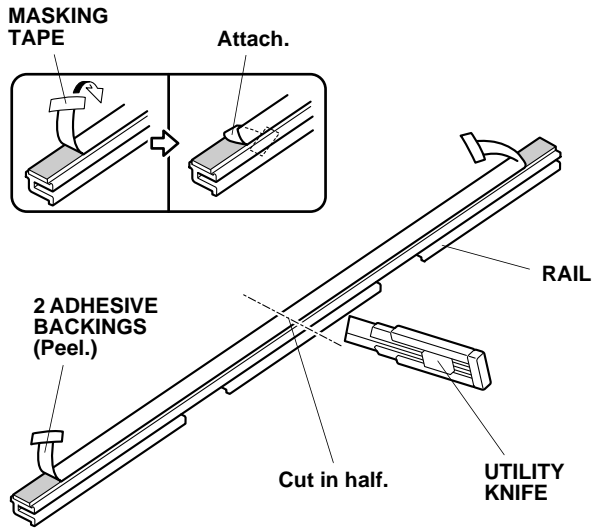
QB32901BY

17. Place template A (marked 1) into position at the location shown. Align template A with the vehicle panel; lightly push down on the template, and attach it to the left door with masking tape. Make sure there is no gap between the template and the vehicle panel.



QB32902BY

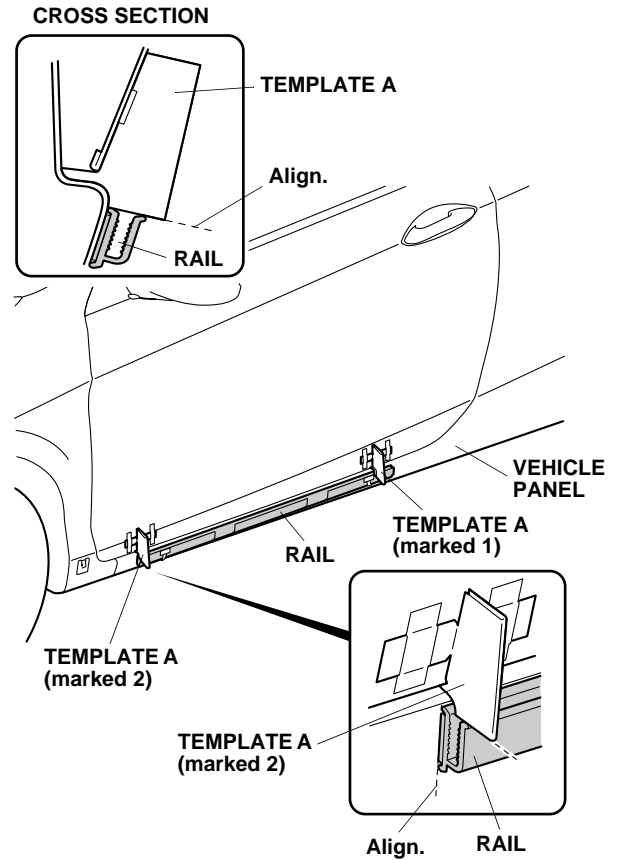
18. Using a utility knife, cut the adhesive backing on the rail in half.



QB32903AY

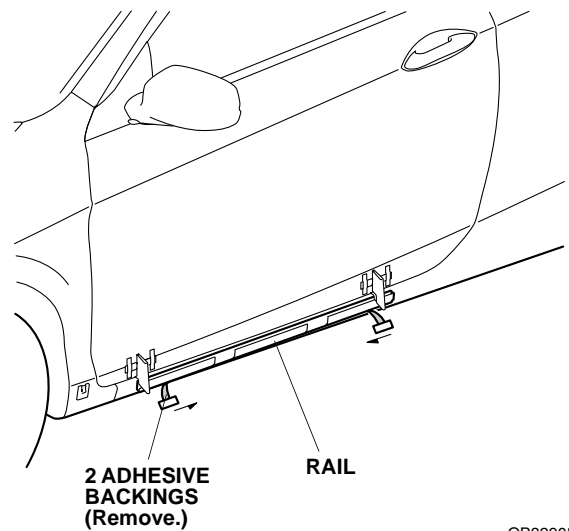
19. Attach masking tape to the end of the adhesive backings, and attach them to the front surface of the rail as shown.

20. While holding the templates against the vehicle panel, align the rail to the templates as shown. Attach the rail to the vehicle panel.



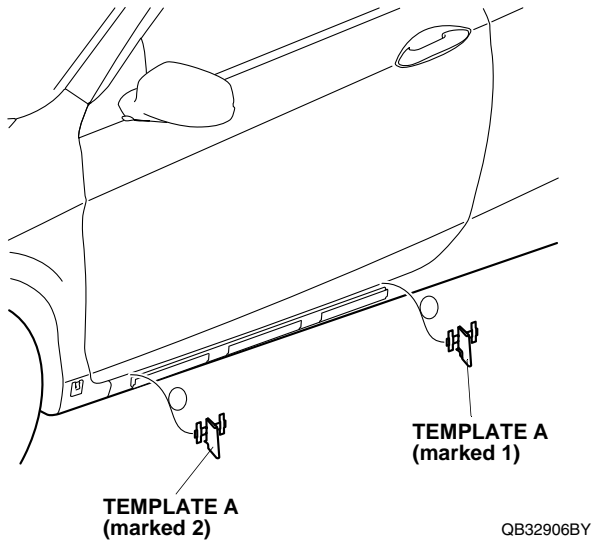
QB32904BY

21. Make sure that the rail is aligned with each template, then carefully remove each adhesive backing.

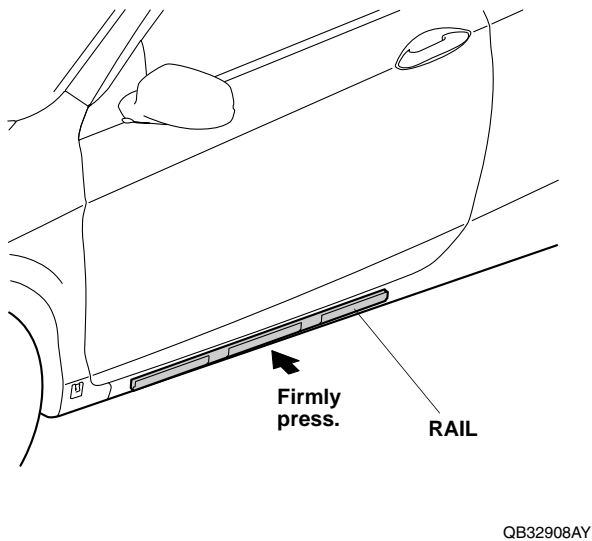


QB32905BY

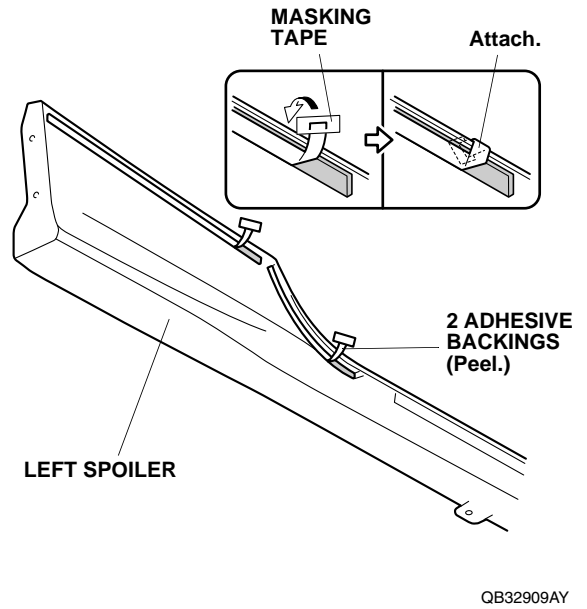
22. Remove the two templates A. Be careful not to damage the templates. They are also used to mark the right side of the vehicle.



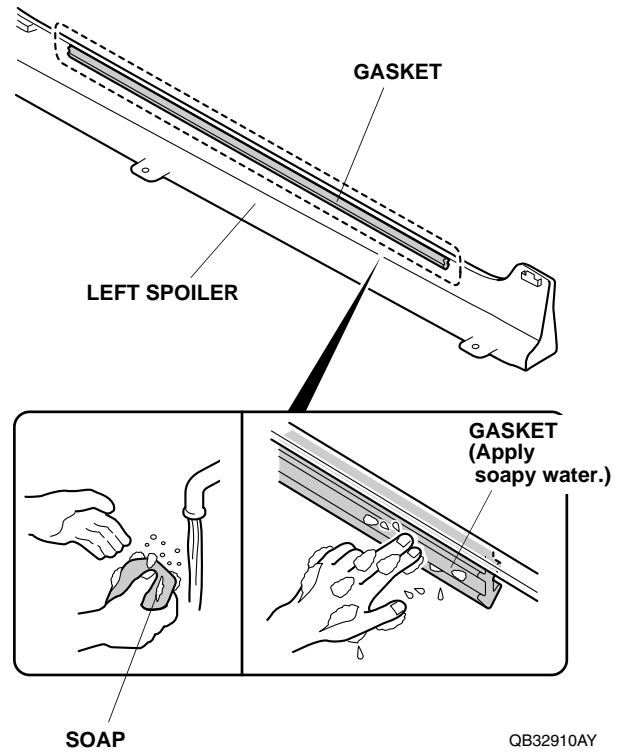
23. Using the palm of your hand, firmly press the rail against the vehicle panel for 30 seconds. Remove the mark you made using isopropyl alcohol on a shop towel.



24. Attach masking tape to the ends of the adhesive backings, and attach them to the front surface of the left spoiler.



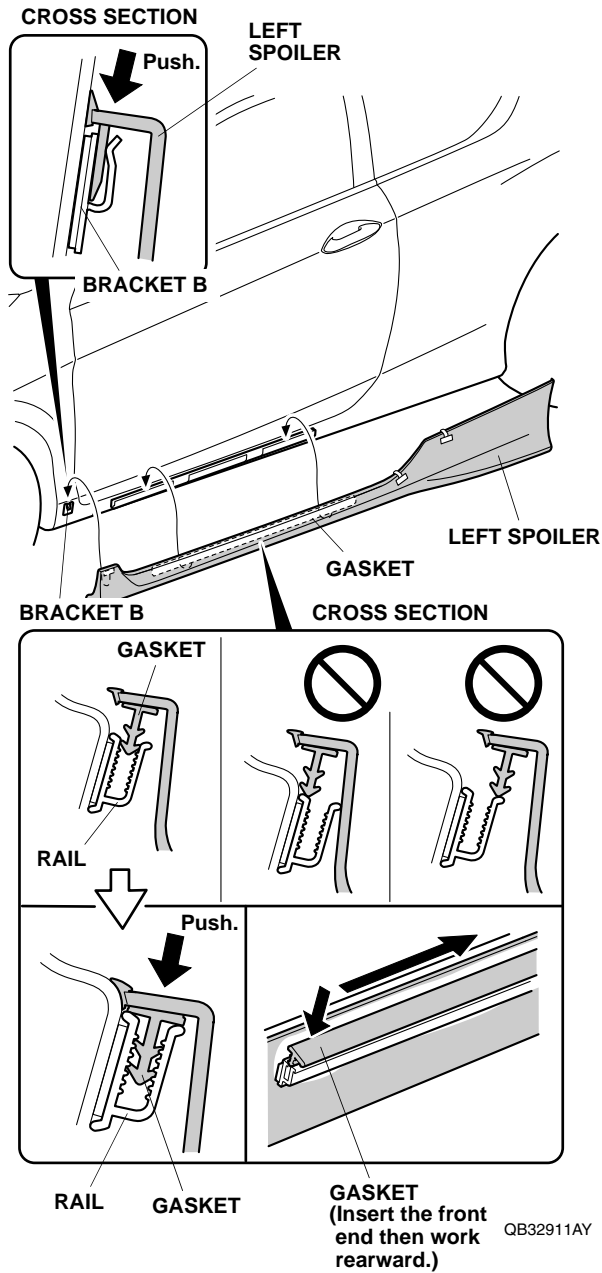
25. Using your hand, apply soapy water to the gasket on the left spoiler.  
NOTE: Do not use an organic solvent (e.g. thinner, benzene, gasoline, etc.), acid or alkaline solution.





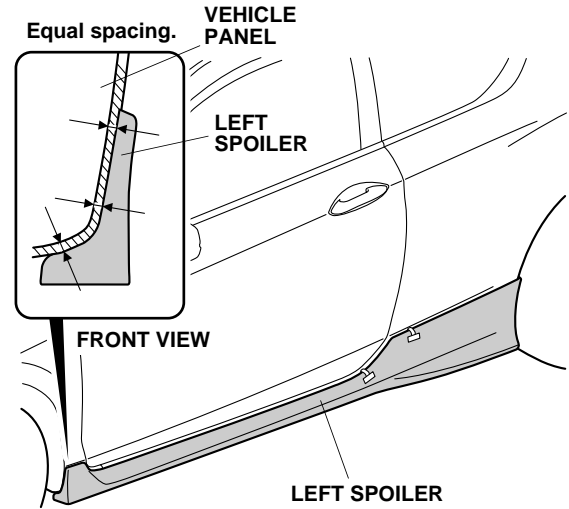
26. Secure the hook on the left spoiler to bracket B and align the gasket on the left spoiler with the rail. Insert the front end of the gasket into the rail first, then work rearward. Move the left spoiler up and down gently to make sure that the gasket is installed securely to the rail.

NOTE: When installing the gasket to the rail, excessive force will damage the gasket and bracket. Apply just enough pressure to allow the gasket to contact the vehicle.



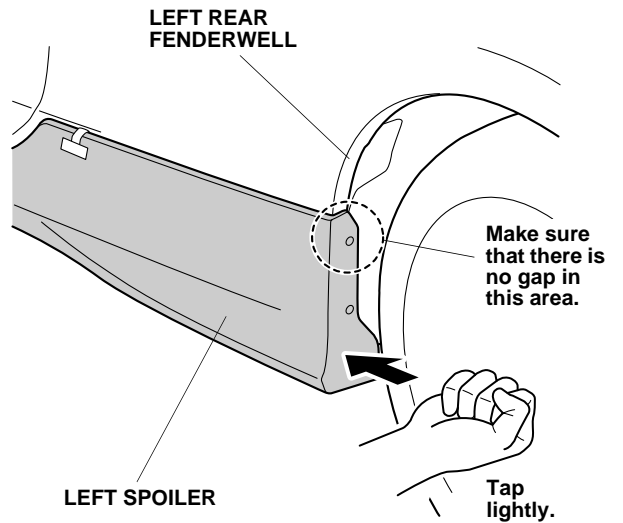
QB32911AY

27. Adjust the gap in the area shown.



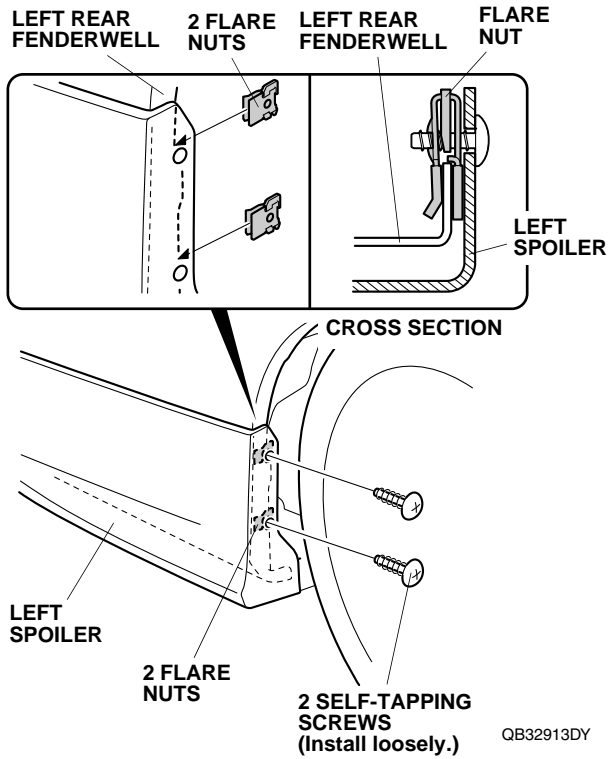
QB40401BY

28. Lightly tap the left spoiler to remove any gap between the left spoiler and the left rear fenderwell.

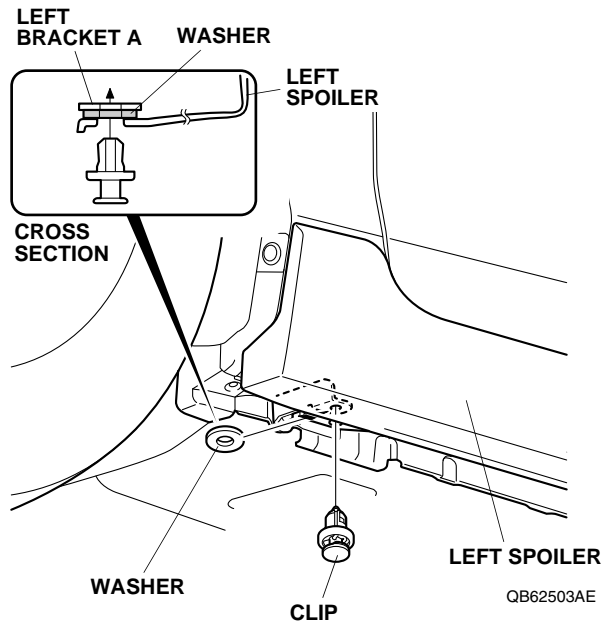


QB32912AY

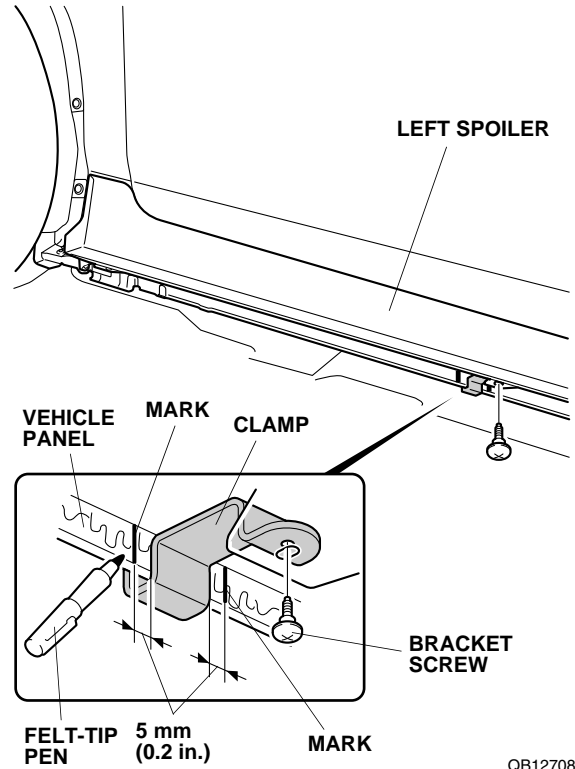
29. Install two flare nuts to the rear fenderwell. Install the flare nuts in the correct position and orientation. Loosely install two self-tapping screws.



30. Secure the left spoiler to left bracket A with one washer and one clip.



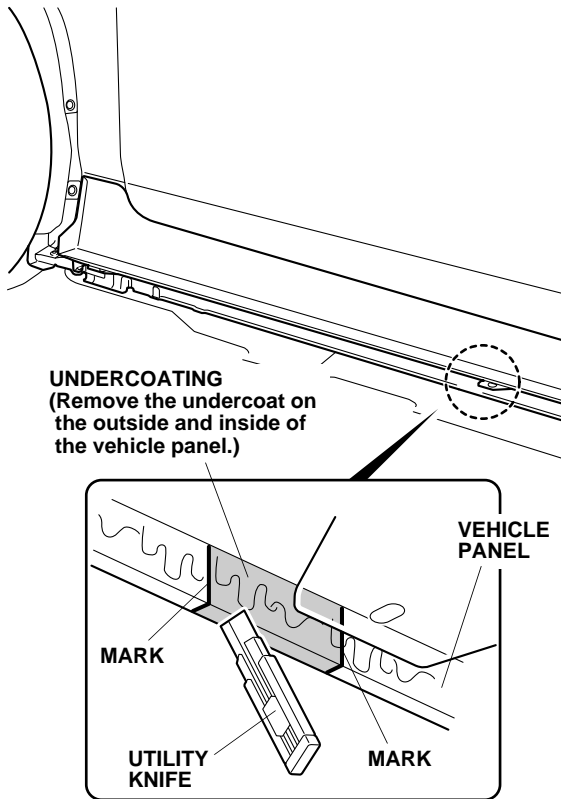
31. Install one clamp with a bracket screw.



32. Using a felt-tip pen, mark the vehicle panel at the measurement shown.

33. Remove the clamp and bracket screw.

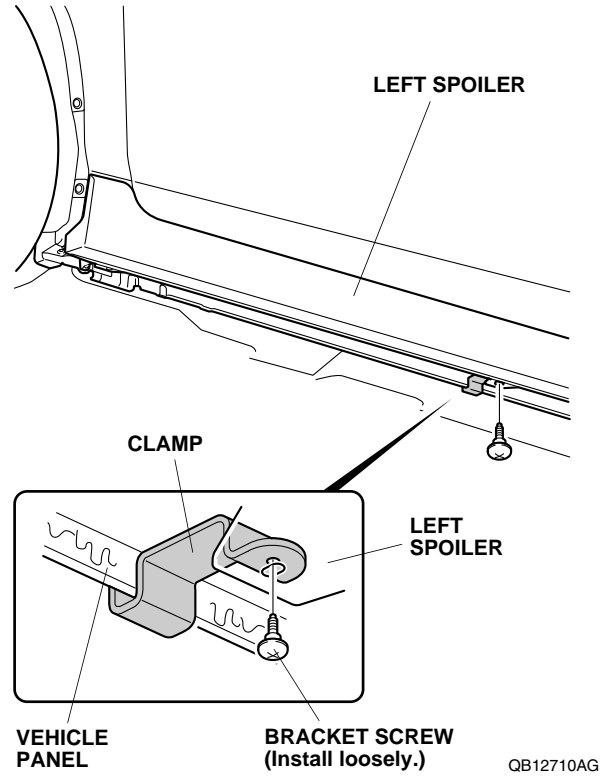
34. Using a utility knife, remove the undercoating as shown.



QB12709AG

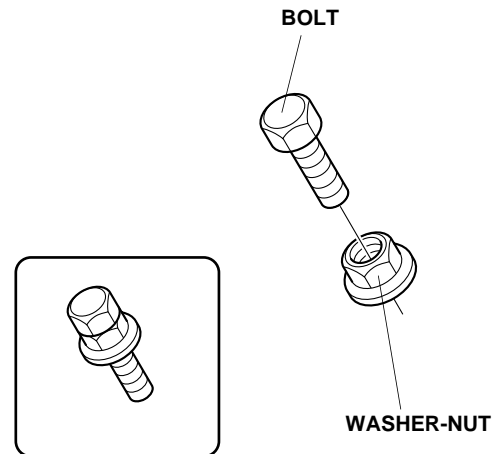
35. Apply touch-up paint to the area where you removed the undercoating, and allow it to dry thoroughly.

36. Install the clamp with the loosely-installed bracket screw.



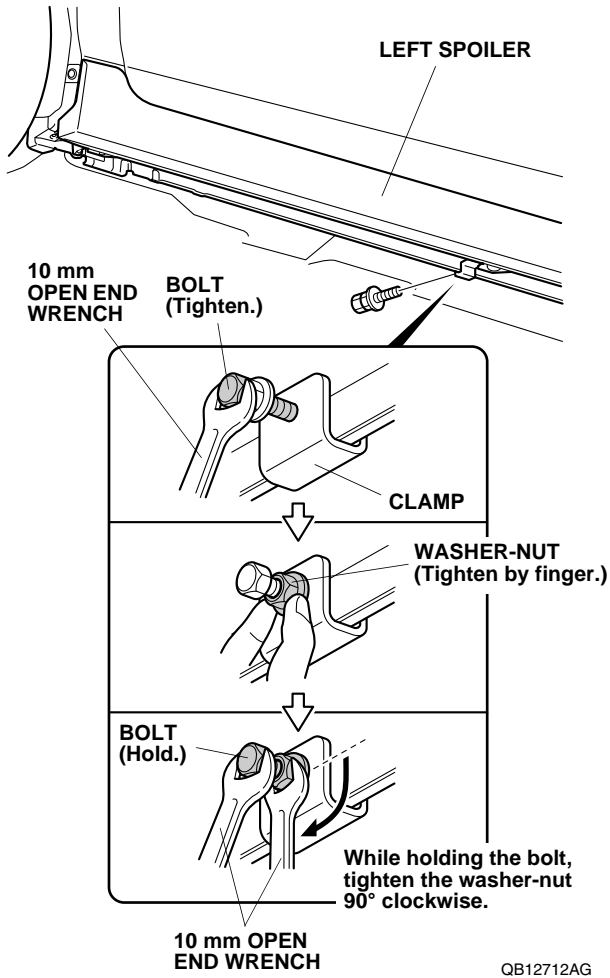
QB12710AG

37. Assemble one bolt and one washer-nut.

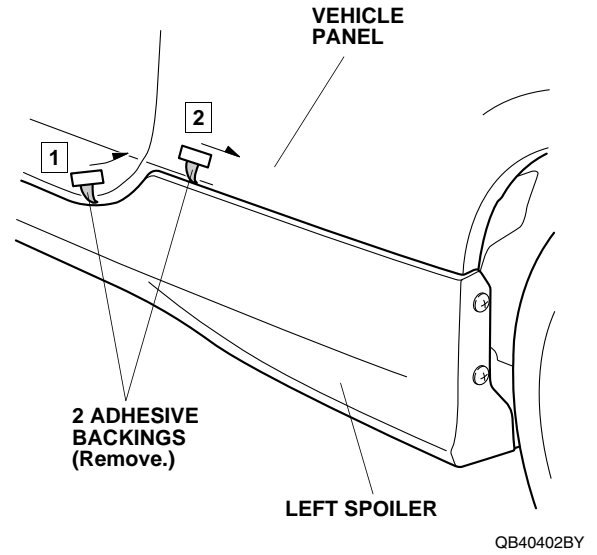


QB12711AG

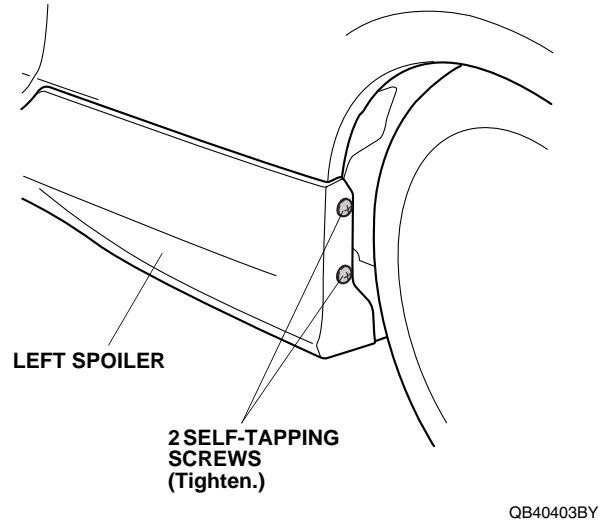
38. Tighten the bolt into the clamp securely, then finger tighten the washer-nut against the clamp. While holding the bolt, tighten the washer-nut 90° clockwise.



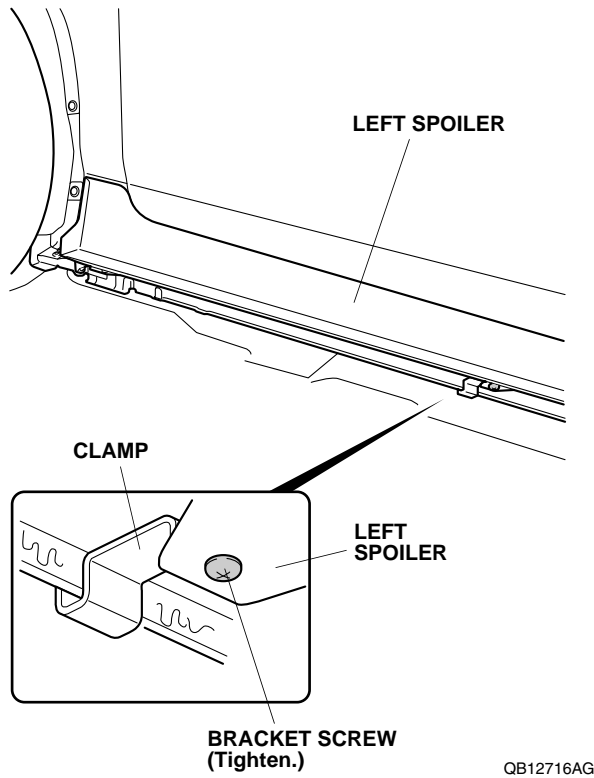
39. Remove the two rear adhesive backings in the order shown. Press the left spoiler firmly against the vehicle panel with the palms of your hand.



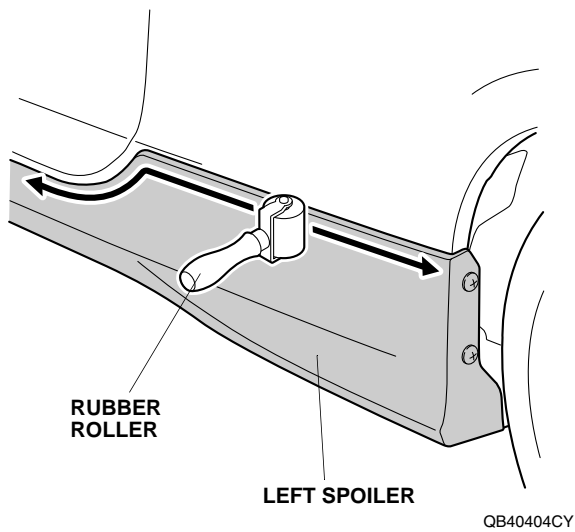
40. Tighten the two self-tapping screws.



41. Tighten the bracket screw.



42. Using a rubber roller, apply firm pressure while rolling, especially at the ends, to set the adhesive.



43. Repeat steps 1 through 42 to install the right spoiler on the right side of the vehicle.