

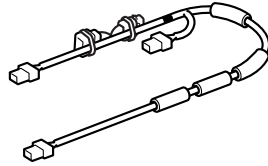


# INSTALLATION INSTRUCTIONS

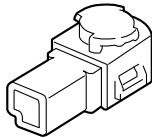
<b>Accessory</b> <b>AMBIENT LIGHTS</b> <b>P/N 08E10-T2A-100B</b>	<b>Application</b> <b>2016 ACCORD</b> <b>2 AND 4-DOOR SPORT</b>	<b>Publications No.</b> <b>VERSION 1</b>
		<b>Issue Date</b> <b>AUG 2015</b>

## PARTS LIST

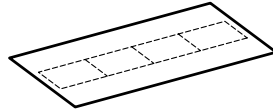
Ambient light harness



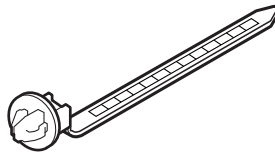
2 Ambient lights



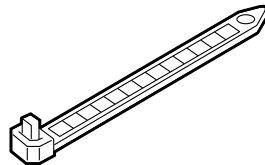
Fuse label



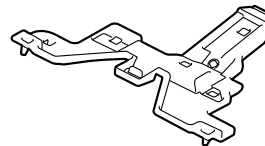
Wire tie with clip



6 Wire ties



Driver's dashboard under cover  
(May not be used)



## TOOLS AND SUPPLIES REQUIRED

10 mm Open end wrench

Diagonal cutters

Steel wire

Electrical tape

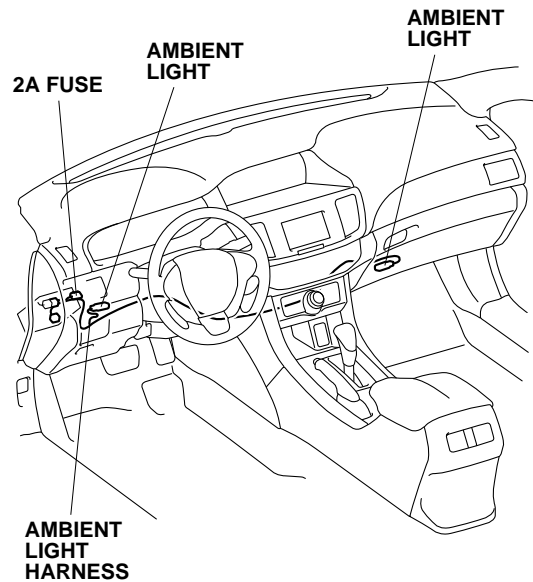
Isopropyl alcohol

Shop towel

*The following tool is available through the Honda Tool and Equipment Program. On the iN, click on: Service > Service Bay > Tool and Equipment Program, then enter the number under "Search." Or, call 888-424-6857.*

- Trim Tool Set (T/N SOJATP2014)

## Illustration of the Ambient Lights in the Vehicle

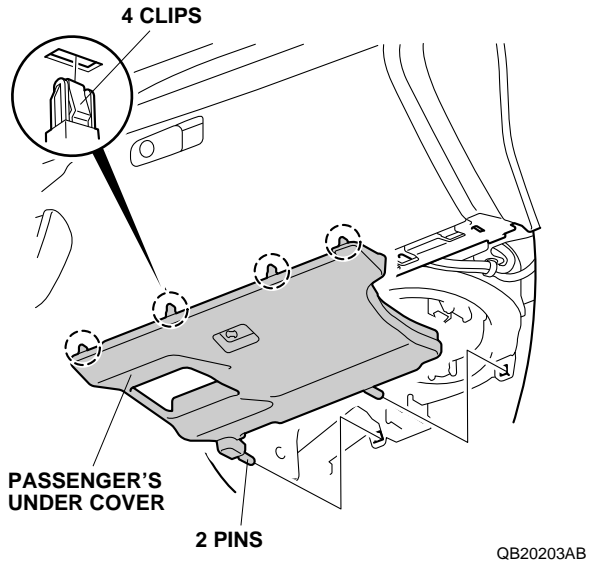


QB51801AB

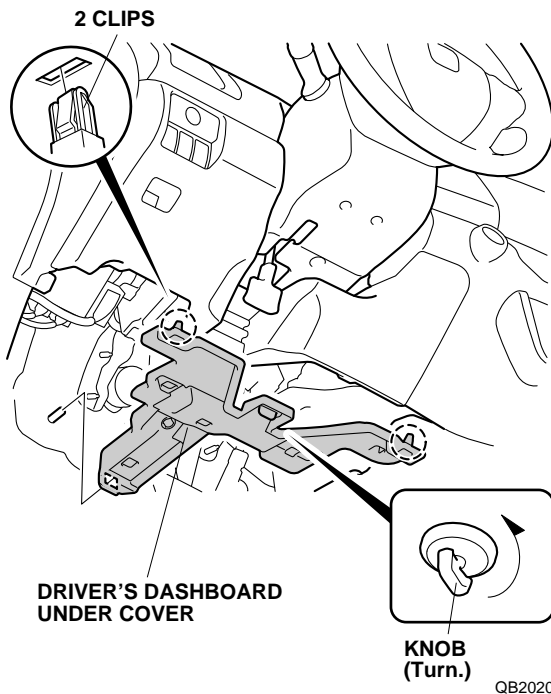
## INSTALLATION

**Customer Information:** The information in this installation instruction is intended for use only by skilled technicians who have the proper tools, equipment, and training to correctly and safely add equipment to your vehicle. These procedures should not be attempted by “do-it-yourselfers.”

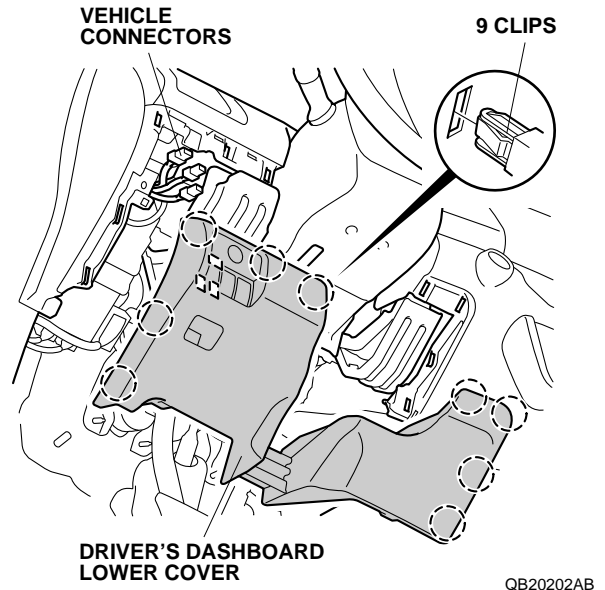
1. Disconnect the negative cable from the battery.
2. Remove the passenger's under cover (four clips and two pins).



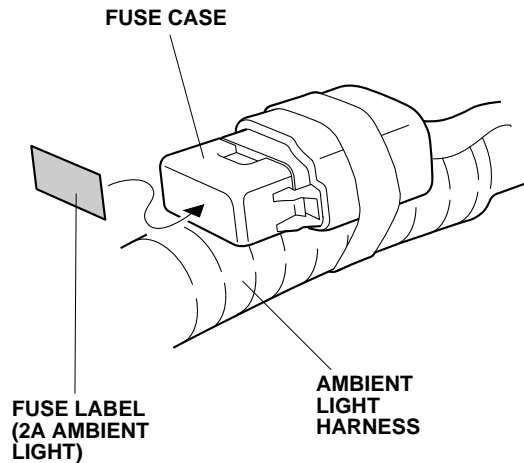
3. If equipped, remove the driver's dashboard under cover (turn the knob and release the two clips).



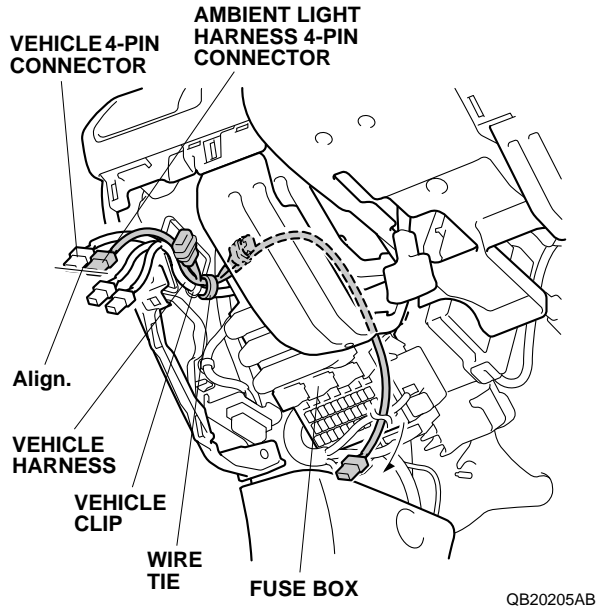
4. Remove the driver's dashboard lower cover (nine clips and unplug the vehicle connectors).



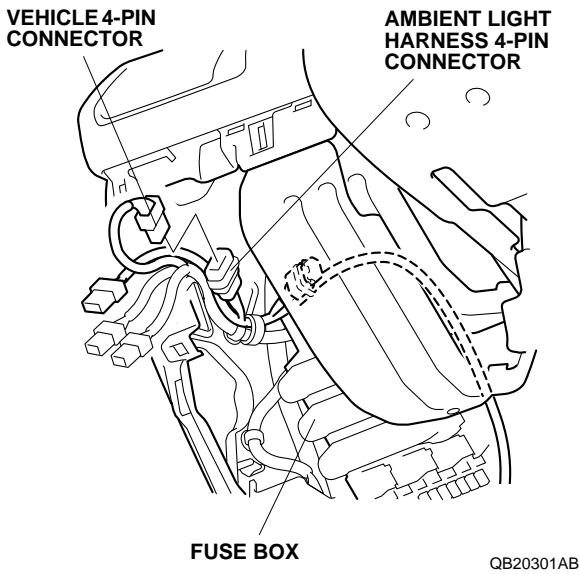
5. Using isopropyl alcohol on a shop towel, thoroughly clean the fuse case where the fuse label will attach. Attach the fuse label (2A AMBIENT LIGHT) to the fuse case on the ambient light harness.



- Route the ambient light harness as shown.

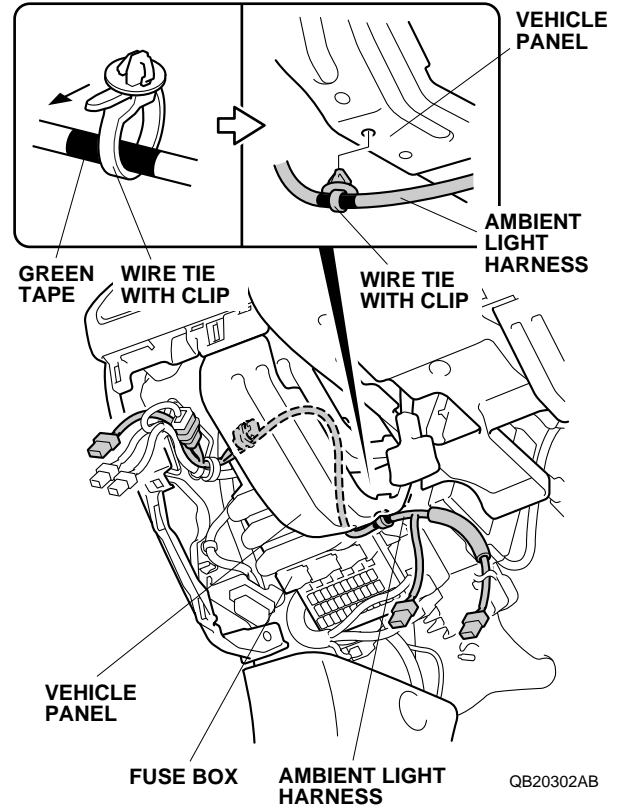


- Align the ambient light harness 4-pin connector with the vehicle 4-pin connector, and secure the ambient light harness to the vehicle harness with one wire tie.
- Plug the vehicle 4-pin connector into the ambient light harness 4-pin connector.

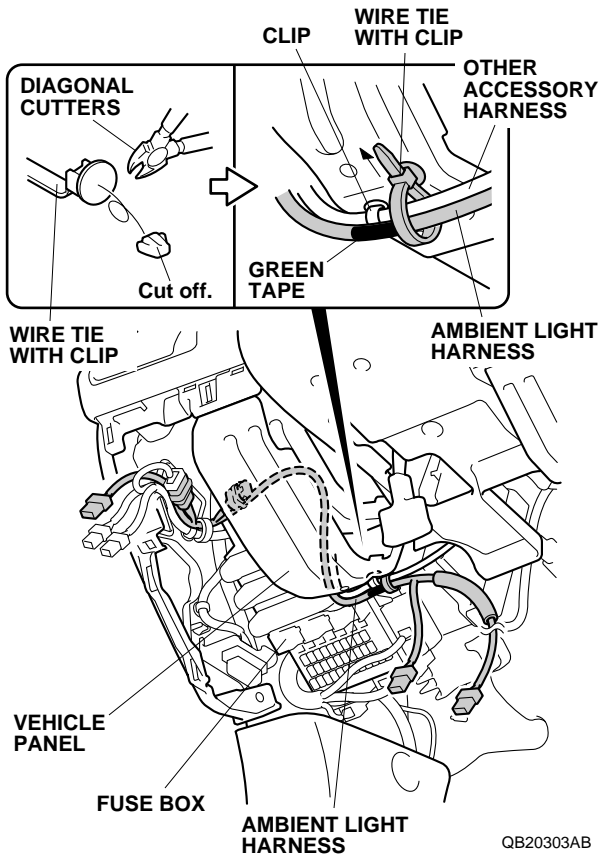


*If the vehicle is already equipped with another accessory harness, go to step 10; Otherwise, continue with step 9.*

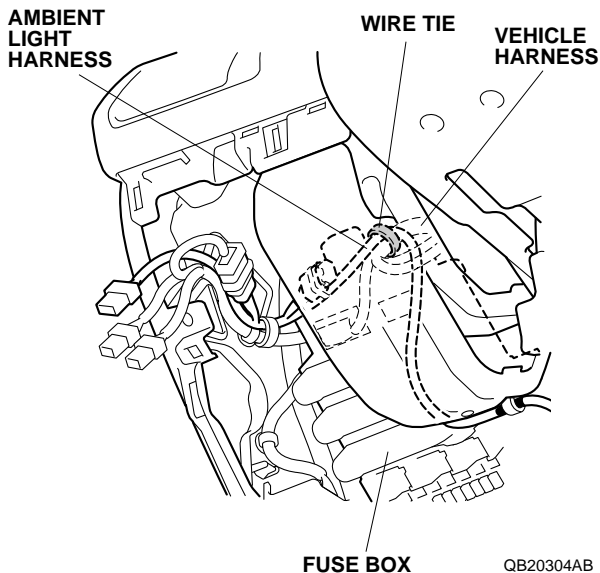
- Attach one wire tie with clip around the green tape on the ambient light harness, then secure the harness to the hole in the vehicle panel with the clip. Go to step 12.



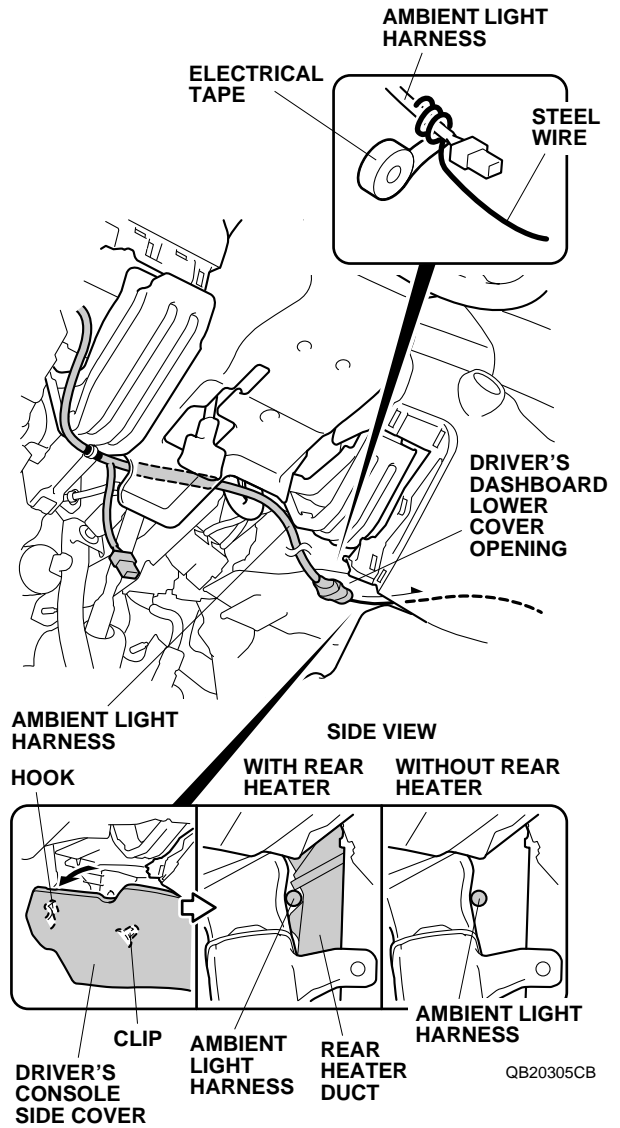
- Using diagonal cutters, cut the clip portion off of one wire tie.



- Attach the cut wire tie with clip around the green tape on the ambient light harness, and secure the ambient light harness to the other accessory harness with the wire tie with clip.
- Secure the ambient light harness to the vehicle harness with one additional wire tie.

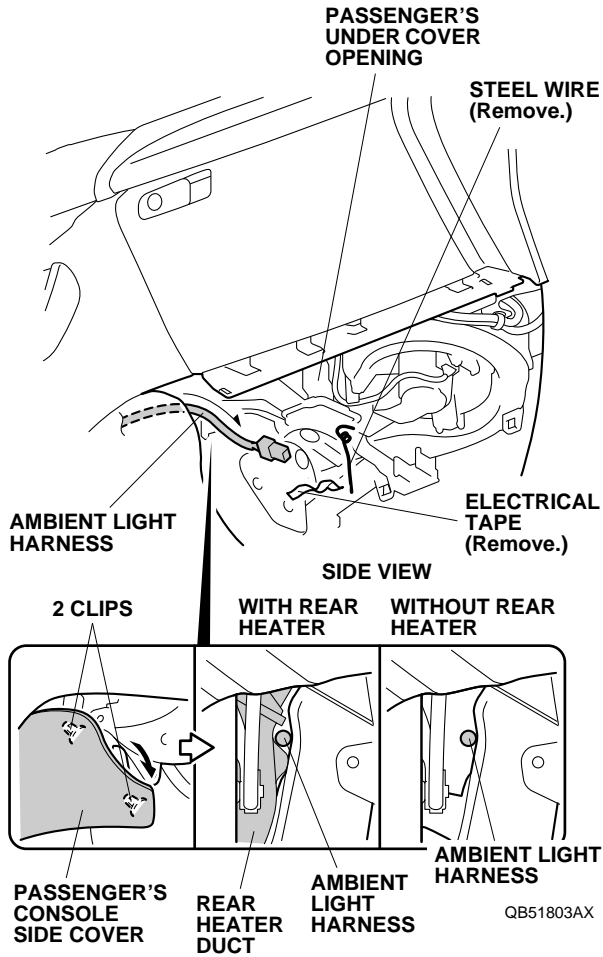


- Release the driver's console side cover (one hook and one clip).  
NOTE: Do not damage the driver's console side cover.



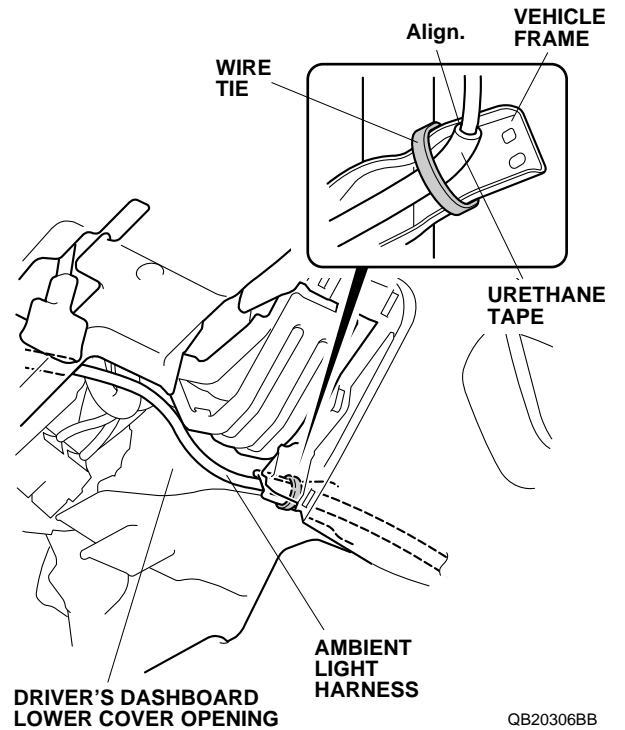
- Attach a piece of steel wire to the ambient light harness with electrical tape. Route the ambient light harness through the center console from the driver's dashboard lower cover opening to the passenger's under cover opening.

15. Release the passenger's console side cover (two clips).  
 NOTE: Do not damage the passenger's console side cover.

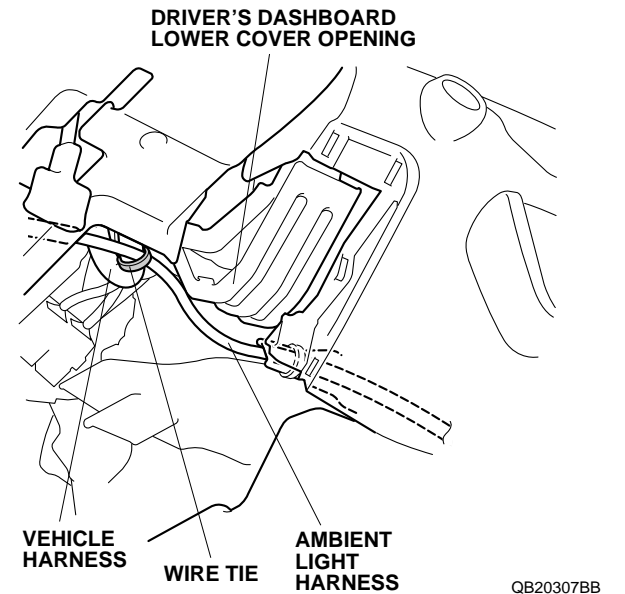


16. Route the ambient light harness as shown, then remove the electrical tape and steel wire.

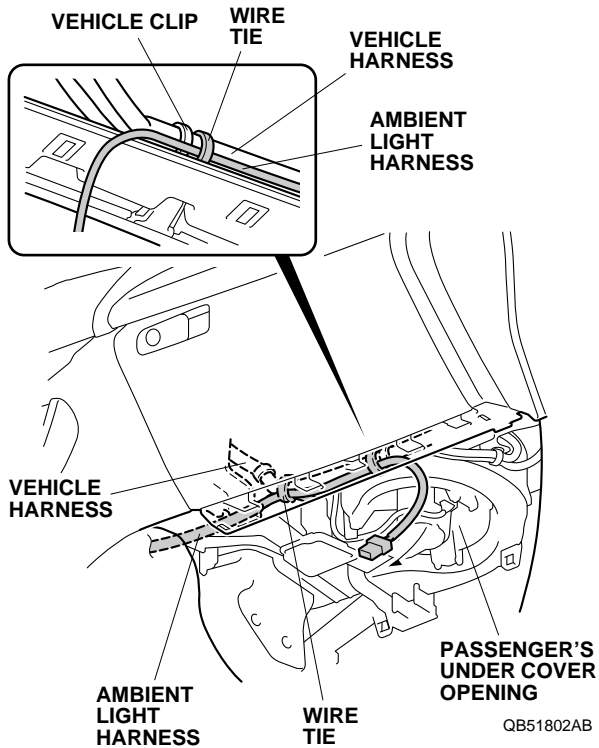
17. Align the edge of the urethane tape on the ambient light harness with the vehicle frame as shown, and secure the ambient light harness to the vehicle frame with one wire tie.



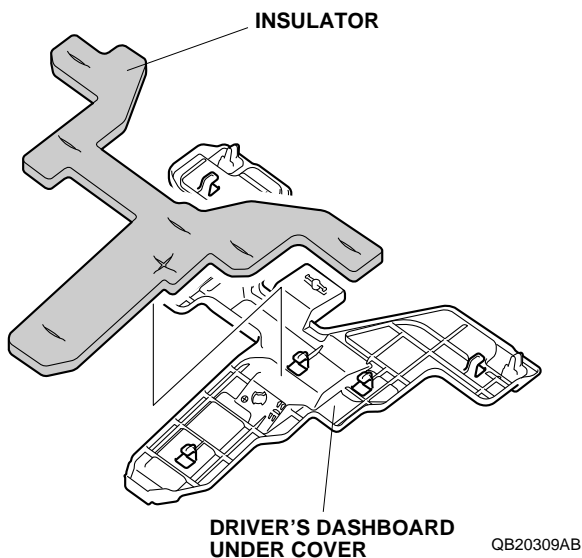
18. Secure the ambient light harness to the vehicle harness with one wire tie. Move the steering wheel up and down through its full adjustment range and make sure the harness is not being stretched.



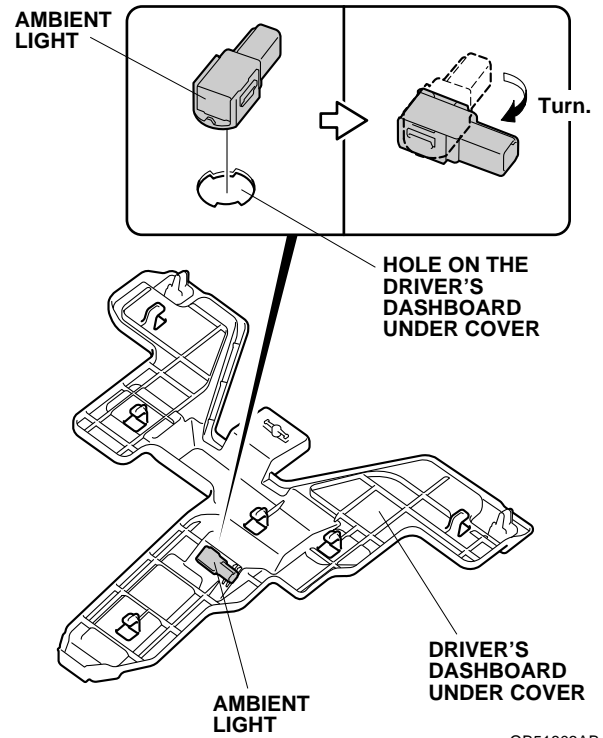
19. On the passenger's side of the vehicle, route and secure the ambient light harness to the vehicle harness with two wire ties.



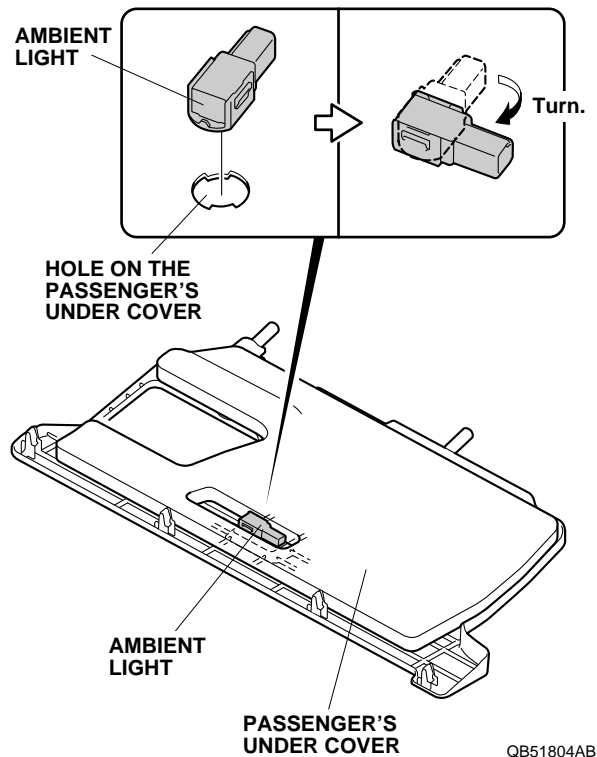
20. Remove the insulator from the driver's dashboard under cover.  
NOTE: If the vehicle is not equipped with the driver's dashboard under cover, use the driver's dashboard under cover supplied with this kit.



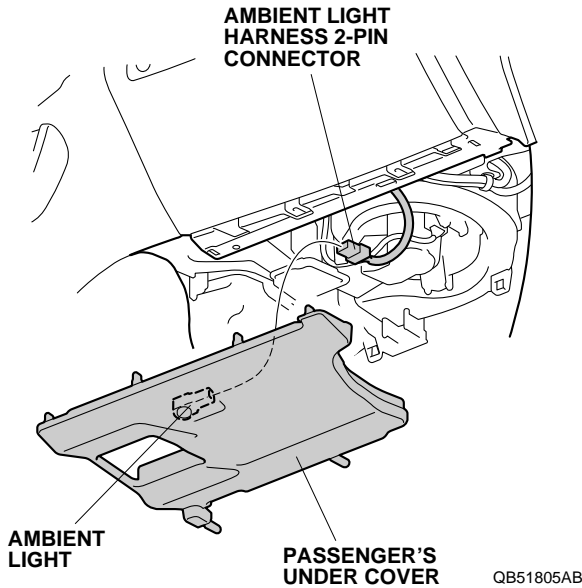
21. Install the ambient light to the driver's dashboard under cover as shown.



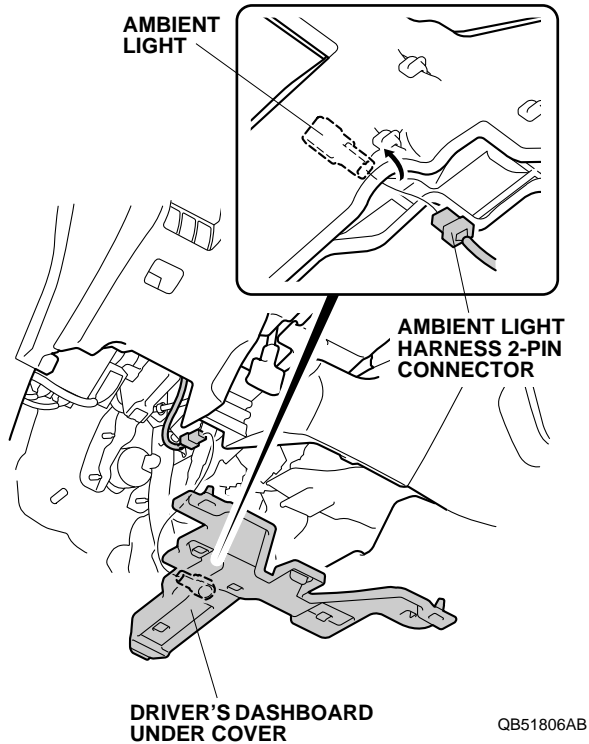
22. Reinstall the insulator.  
23. Install the ambient light to the passenger's under cover as shown.



24. Plug the ambient light harness 2-pin connector into the ambient light, and reinstall the passenger's under cover.



25. Reinstall the driver's dashboard lower cover.



26. Plug the ambient light harness 2-pin connector into the ambient light, and reinstall the driver's dashboard under cover.

27. Check that all wire harnesses are routed properly and all connectors are plugged in.
28. Reconnect the negative cable to the battery.
29. Press and hold the radio power button for two seconds to restore the radio and navi (if equipped) system functions.
30. Reset the clock on vehicle without navigation.

## HOW TO OPERATE

- With the light switch set to the "OFF" or "D" position, the ambient lights are on.
- When the headlight switch is in the "AUTO" position, the ambient lights are on with the parking lights or headlights.
- If the ambient lights do not come on, check the fuse and all the connectors.

