

**INSTALLATION  
INSTRUCTIONS**

Accessory  
**BICYCLE ATTACHMENT  
(INTERIOR)**  
P/N 08L07-S9V-102A

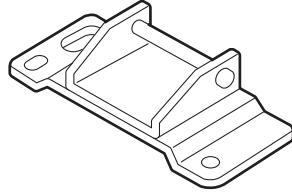
Application  
**2015 PILOT**

Publications No.  
**All 51552**

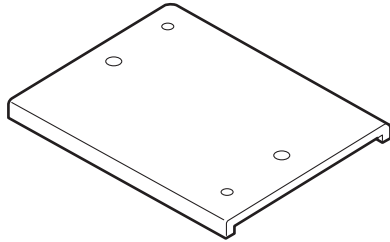
Issue Date  
**MAY 2014**

**PARTS LIST**

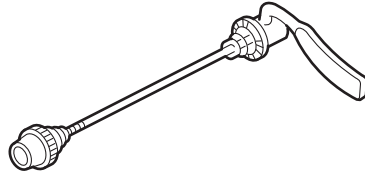
Holder



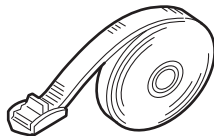
Bracket



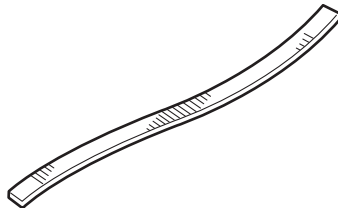
Quick shaft



Belt



2 Fasteners



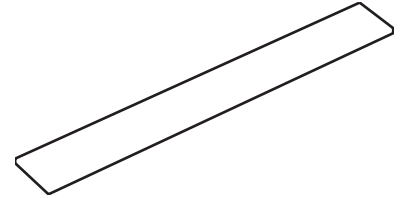
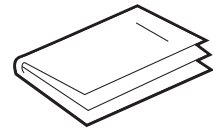
2 Long washer bolts (Not used)



2 Short washer-bolts



2 Seals (Not used)

Accessory User's  
Information Manual**TOOLS AND SUPPLIES REQUIRED**

12 mm Combination Wrench

Drill

3 mm and 10 mm Drill bits

Eye Protection (face shield, safety goggles, etc.)

Torque wrench

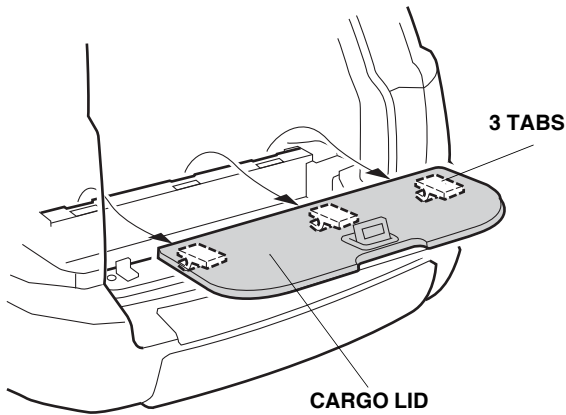
## INSTALLATION

**Customer Information:** The information in this installation instruction is intended for use only by skilled technicians who have the proper tools, equipment, and training to correctly and safely add equipment to your vehicle. These procedures should not be attempted by “do-it-yourselfers.”

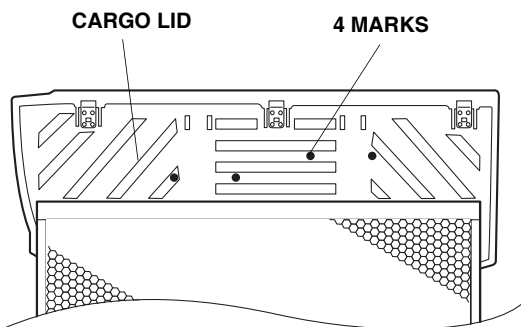
**NOTE:** The interior bicycle attachment can not be installed on vehicles equipped with cargo liner or cargo tray.

### Installing the Bicycle Attachment

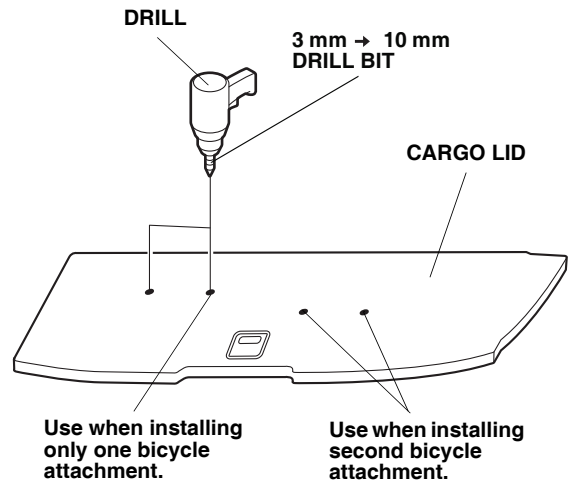
1. Open the tailgate and remove the cargo lid (three tabs).



2. Turn the cargo lid over, and locate the four marks on the surface of the cargo lid.



3. While wearing eye protection, drill the four marks from the underside with a 3 mm drill bit, then enlarge the holes with a 10 mm drill bit from the top. Remove all burrs.



4. Position the holder and the bracket on the surface of the cargo lid, and install the two short washer-bolts. Torque the short washer-bolts to 7 N·m (5.1 lbf·ft). If installing a second bicycle attachment, repeat steps 3 and 4.
5. To install the bicycle to the attachment, refer to the Accessory User's Information Manual supplied.