



# INSTALLATION INSTRUCTIONS

Accessory  
SNOWBOARD ATTACHMENT

Application  
ALL APPLICABLE MODELS

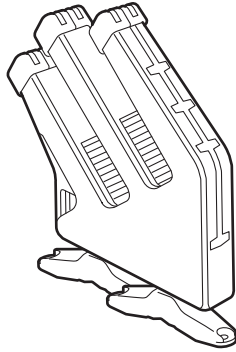
Publications No.  
VERSION 1

Issue Date  
AUG 2014

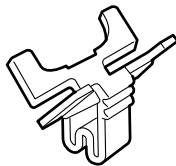
Keep this information in the glove box for future reference.

## PARTS LIST

2 Snowboard carriers



4 Board supports



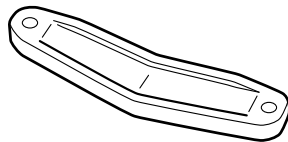
Wrench



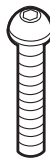
8 Collars



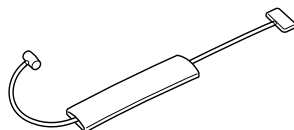
4 Bottom clamps



8 Bolts



2 Locking cables



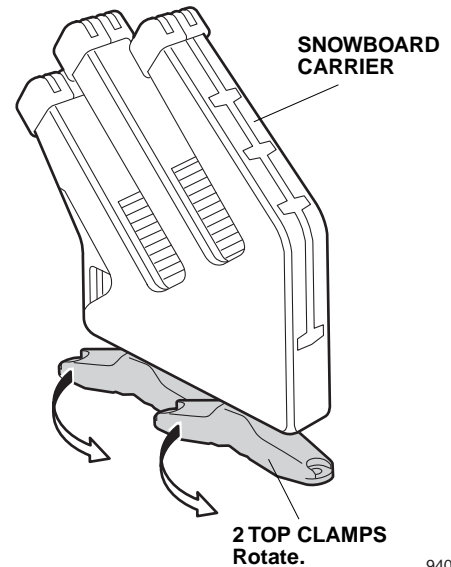
2 Keys



## INSTALLATION

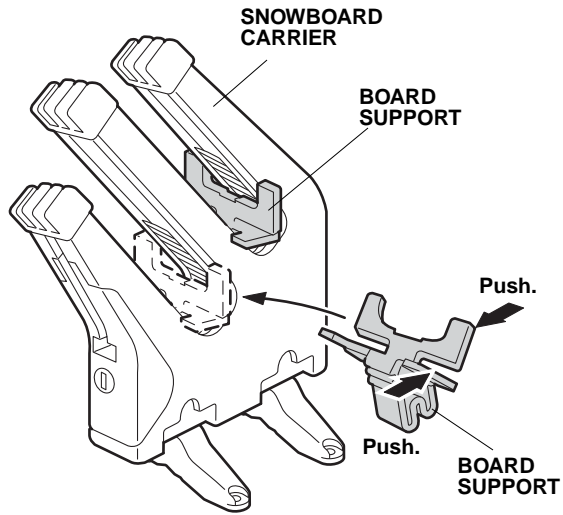
### NOTE:

- This snowboard attachment is designed to be used exclusively with the Cross Bar which are sold separately.
  - Do not use non-Honda accessories, carriers or attachment sets with this snowboard attachment kit.
  - Install the snowboard attachment after installing the Cross Bar on the roof.
1. Rotate the two top clamps on the snowboard carrier perpendicular to the snowboard carrier.



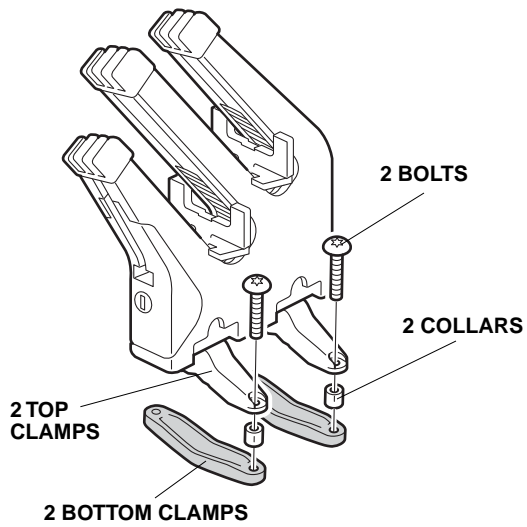
940401AR

2. Install the board supports.



940402AR

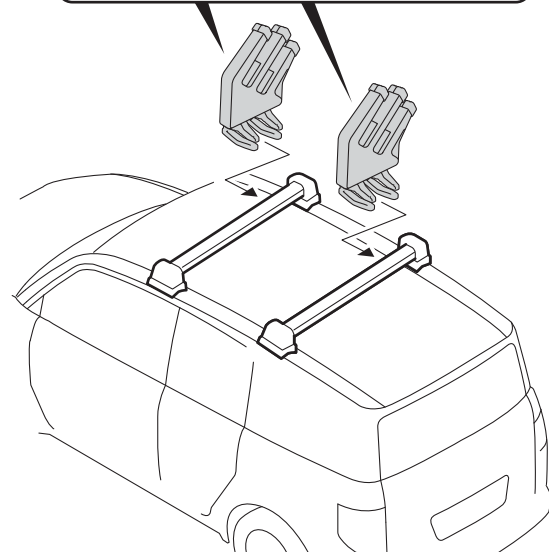
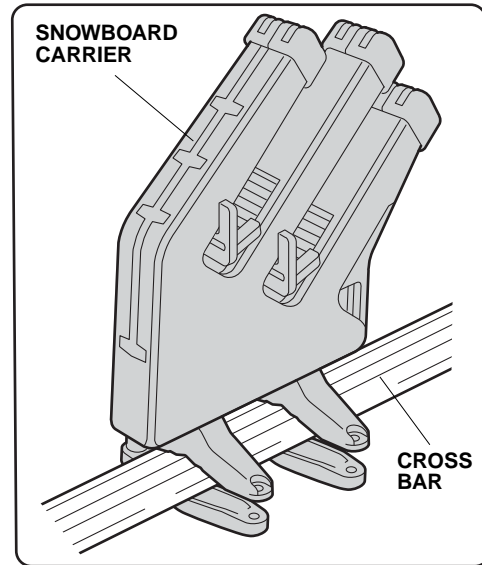
3. Loosely secure the two bottom clamps to the top clamps using two bolts and two collars.



940403AR

4. Repeat steps 1 through 3 on the other carrier.

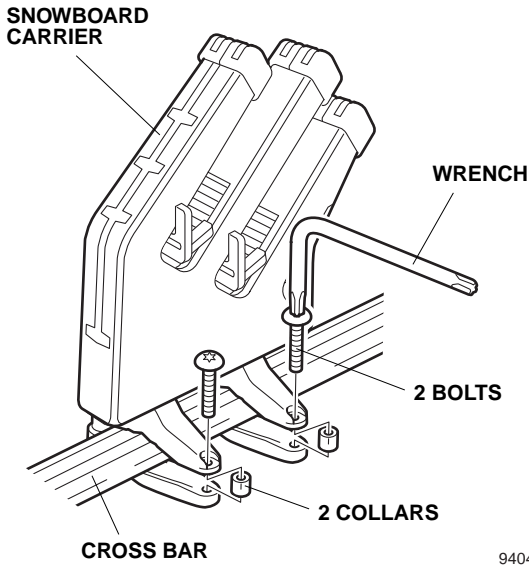
5. Secure the snowboard carrier to the cross bar.



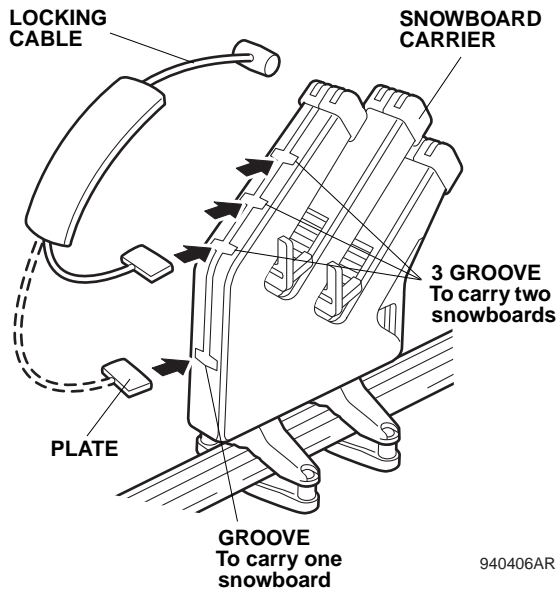
940404BR

6. Install the other carrier as shown.

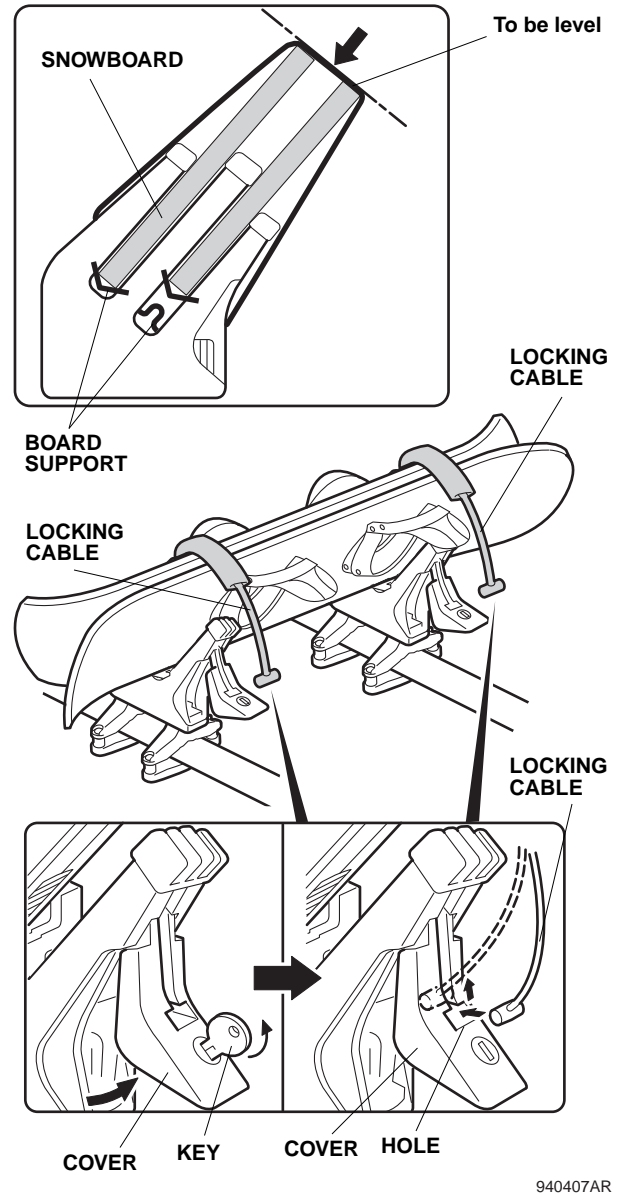
7. Secure the snowboard carrier to the cross bar using two bolts and two collars.



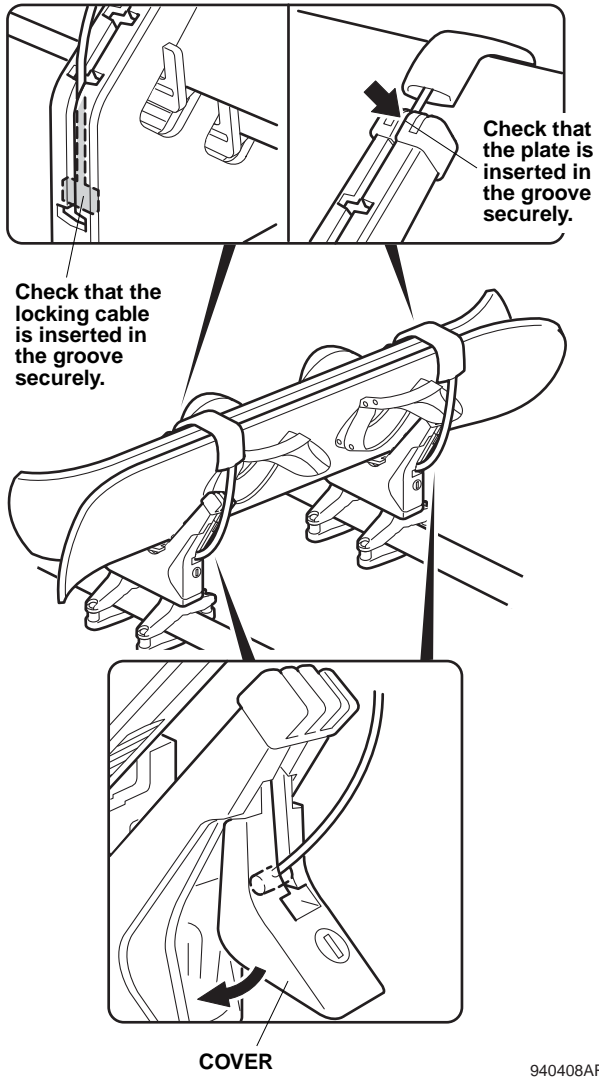
8. Tighten the two bolts loosely secured in step 3.
9. Repeat steps 7 and 8 on the other carrier.
10. Insert the locking cable plate into one of the grooves on each snowboard carrier.
- One snowboard, insert the plate into the lowest groove.
  - Two snowboards, use one of the top three grooves above the lowest groove.



11. Load the snowboard on the carrier, adjust it so that the top edges are level and the boards are as far down in the carrier as possible. Secure the snowboard with the locking cables.



12. Check that the locking cables are inserted securely, then close the covers.



13. The covers must be locked during transportation.

