



# INSTALLATION INSTRUCTIONS

Accessory  
**REAR BUMPER APPLIQUE**  
P/N 08P48-T0A-100

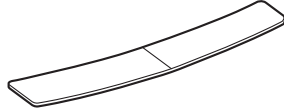
Application  
**2015 CR-V**

Publications No.  
**VERSION 1**

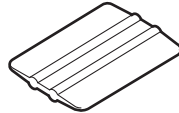
Issue Date  
**SEP 2014**

## PARTS LIST

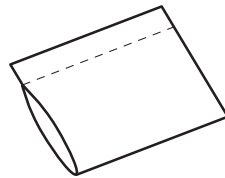
Rear bumper applique



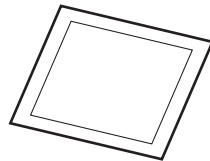
Applicator



Soft sleeve



Alcohol swab



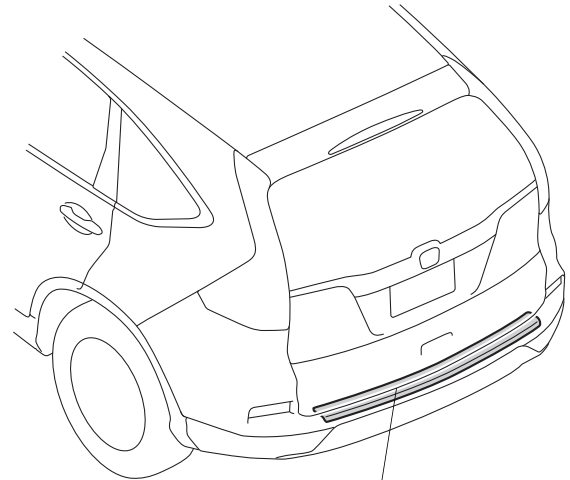
## TOOLS AND SUPPLIES REQUIRED

Shop towel

Spray bottle

3M Protective tape application solution

## Illustration of the Rear Bumper Applique on the Vehicle



**REAR BUMPER APPLIQUE**

QD11704AY

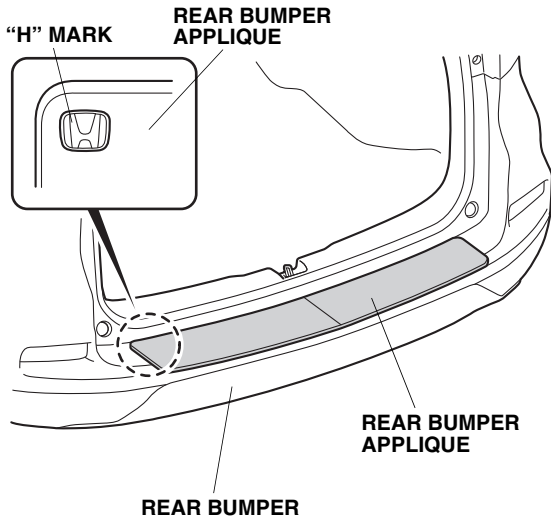
## INSTALLATION

**Customer Information:** The information in this installation instruction is intended for use only by skilled technicians who have the proper tools, equipment, and training to correctly and safely add equipment to your vehicle. These procedures should not be attempted by "do-it-yourselfers."

### NOTE:

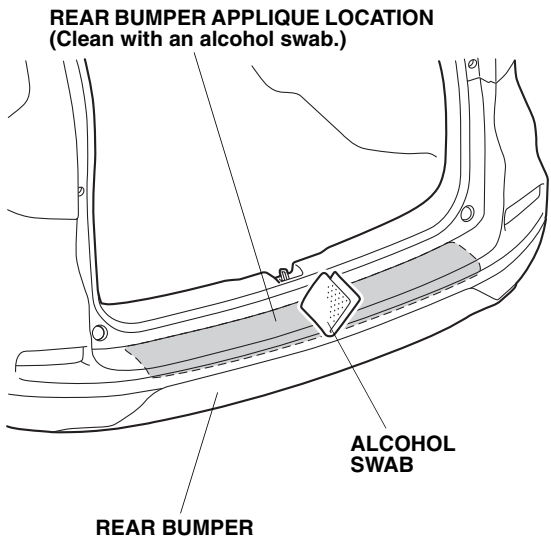
- Do not damage the paint finish.
- This rear bumper applique should be installed only if the ambient air temperature is 15°C (60°F) or above.
- To allow the adhesive to cure, do not wash the vehicle for 24 hours. Please advise the customer.

1. Open the tailgate. Align the rear bumper applique with the rear bumper and check the rear bumper applique position. Remove the rear bumper applique.



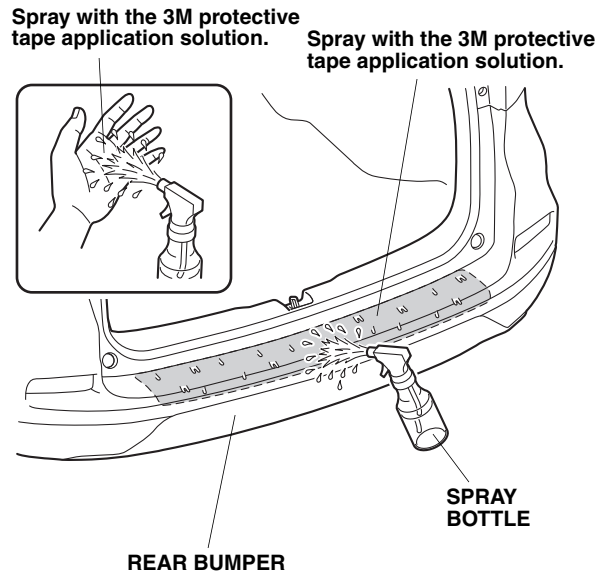
QD11602AY

2. Use the alcohol swab to thoroughly clean the area where the rear bumper applique will attach.



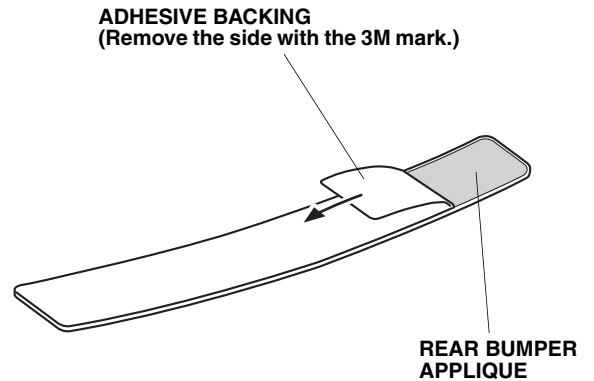
QD11601AY

3. Using a spray bottle with the 3M protective tape application solution, spray the area where the rear bumper applique will attach. Spray some solution on your hands.



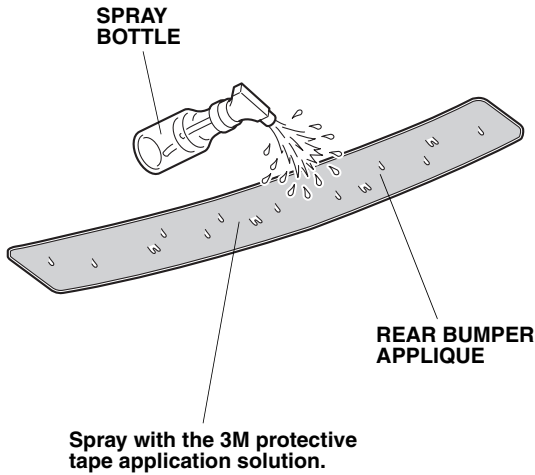
QD11603AY

4. Remove the adhesive backing from the side of the rear bumper applique with the 3M mark.



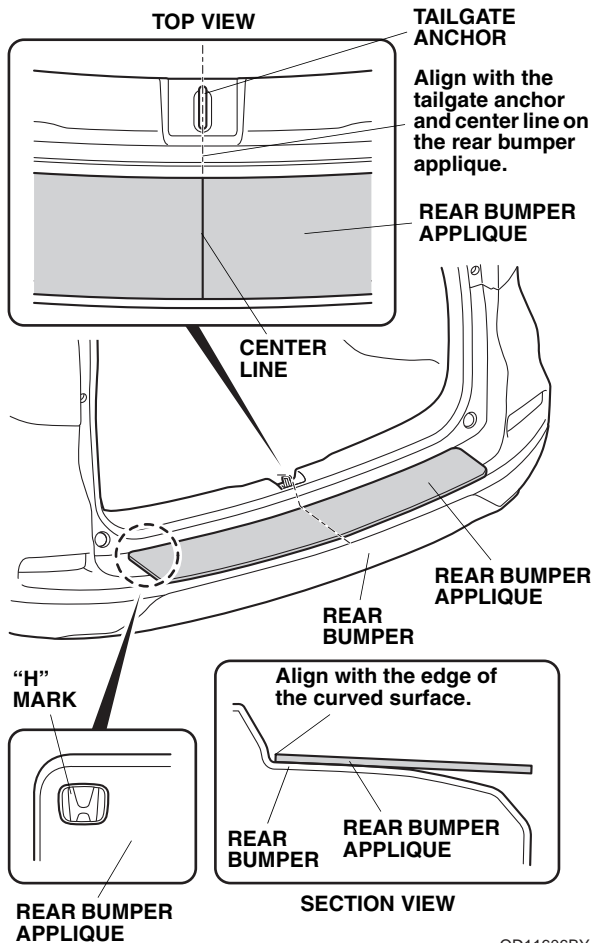
QD11604AY

- Spray the rear bumper applique with the 3M protective tape application solution.



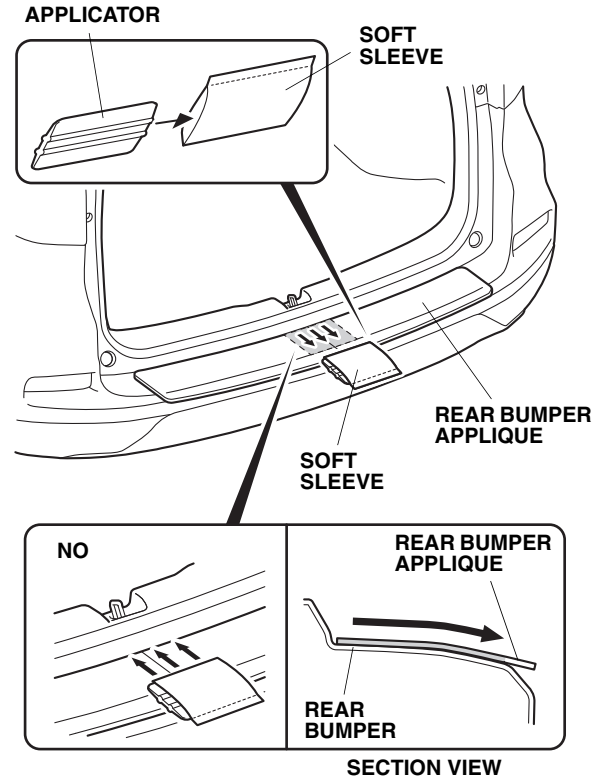
QD11605AY

- Align the center line on the rear bumper applique with the tailgate anchor. Align the edge of the applique along the edge of the curved surface as shown. Smooth the rear bumper applique against the rear bumper.



QD11606BY

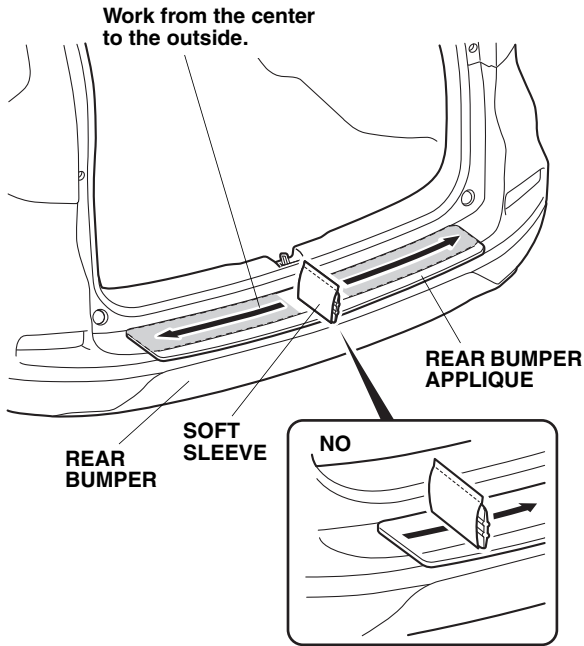
- Insert the applicator into the soft sleeve.



QD11607BY

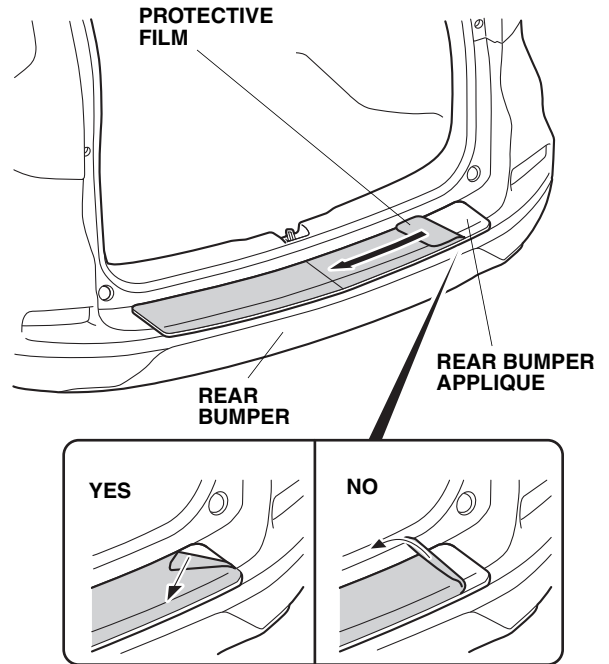
- Starting from the front and working rearward, use the soft sleeve to smooth out the center of the upper section on the rear bumper applique. Move the soft sleeve in one direction only. If you see an air bubble, stop and gently peel up that section to work out the bubble. Work slowly and keep pressure against the rear bumper applique.

- Starting from the center and working outward, use the soft sleeve to smooth the rear bumper applique on the left and right sides of the upper section on the rear bumper applique. Move the soft sleeve in one direction only. If you see an air bubble, stop and gently peel up that section to work out the bubble. Work slowly and keep pressure against the rear bumper applique.



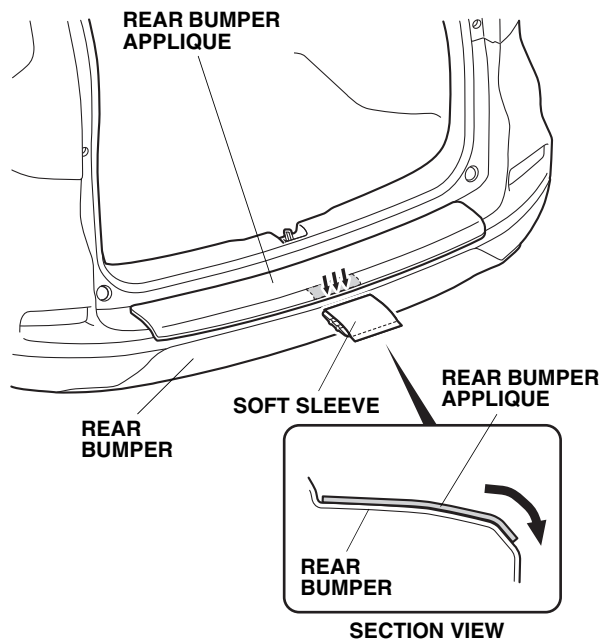
QD11608BY

- Slowly remove the protective film from the rear bumper applique.  
NOTE: Do not pull up on the protective film.



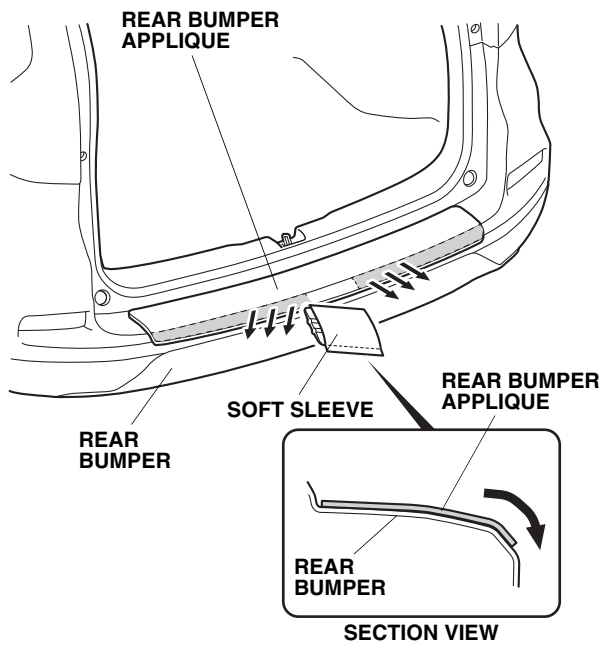
QD11609BY

- Repeat step 8 at the center of the lower section of the rear bumper applique.



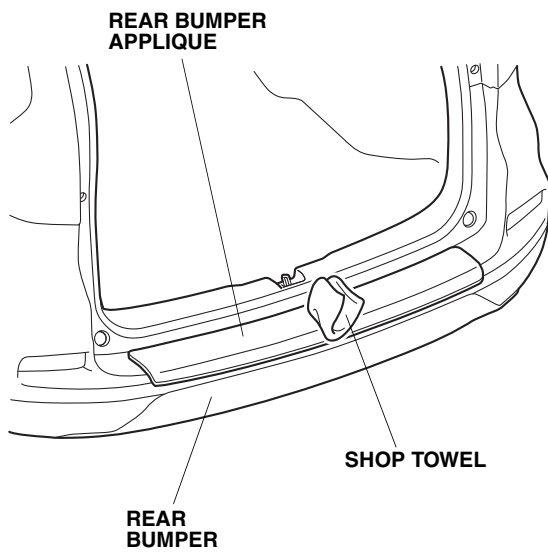
QD11701BY

12. Repeat step 9 to smooth the left and right sides of the lower section on the rear bumper applique.



QD11702BY

13. Using a shop towel, wipe up the 3M protective tape application solution. Allow the rear bumper applique to dry thoroughly.



QD11703AY