



INSTALLATION INSTRUCTIONS

Accessory

REAR CARGO TRAY
P/N 08U45-SJC-100

Application

2014 RIDGELINE

Publications No.

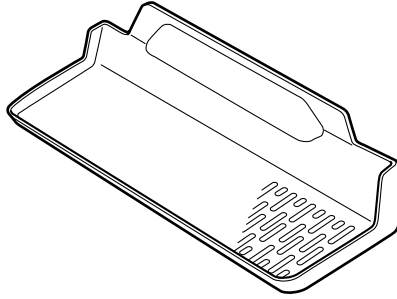
All 50342

Issue Date

AUG 2013

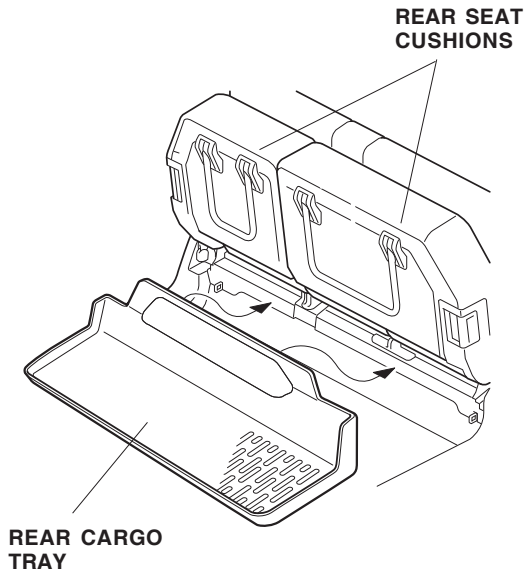
PARTS LIST

Rear cargo tray



INSTALLATION

1. Raise both rear seat cushions.
2. Position the rear cargo tray on the floor mat under the seat cushions.



3. Return the rear seat cushions to their original positions.