



# INSTALLATION INSTRUCTIONS

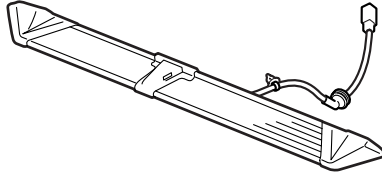
Accessory  
**RUNNING BOARDS  
(WITH LIGHTS)**  
P/N 08L33-SZA-100C

Application  
**2013 PILOT**

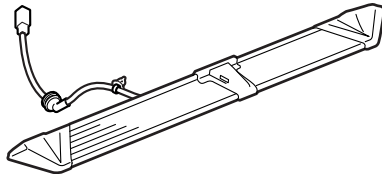
Publications No.  
**All 13323**  
Issue Date  
**AUG 2012**

## PARTS LIST

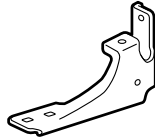
Right running board



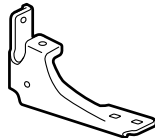
Left running board



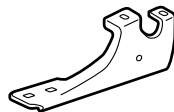
Right bracket A



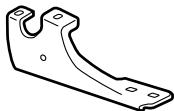
Left bracket A



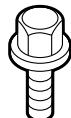
2 Right brackets B



2 Left brackets B



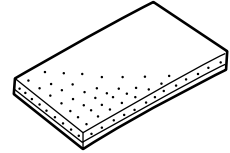
12 Flange bolts



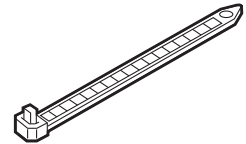
12 Flange nuts



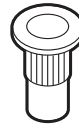
5 EPT sealers



5 Wire ties



2 Rivet Nuts



## TOOLS AND SUPPLIES REQUIRED

Torque wrench

Socket

Scissors

Shop towel

Isopropyl alcohol

Rivet nut tool

T/N LEML722M8

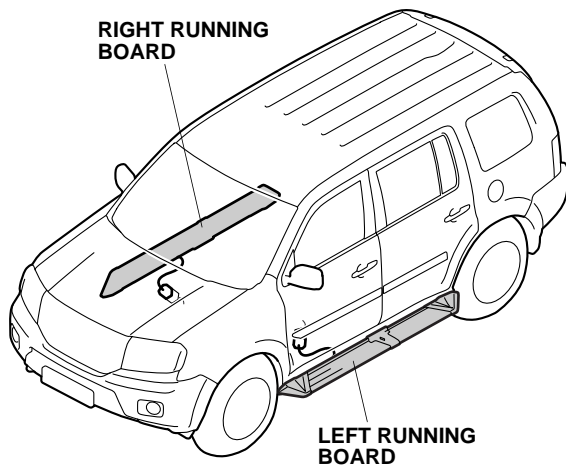
27 mm Wrench

Hex wrench

Combination wrench

Diagonal cutters

## Illustration of the Running Boards on the Vehicle



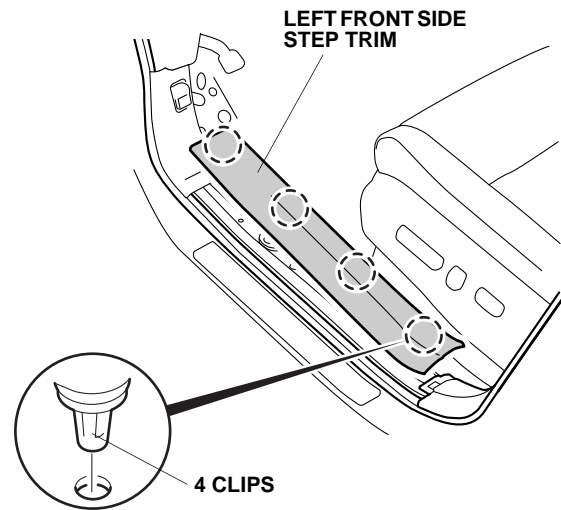
## INSTALLATION

**Customer Information:** The information in this installation instruction is intended for use only by skilled technicians who have the proper tools, equipment, and training to correctly and safely add equipment to your vehicle. These procedures should not be attempted by "do-it-yourselfers."

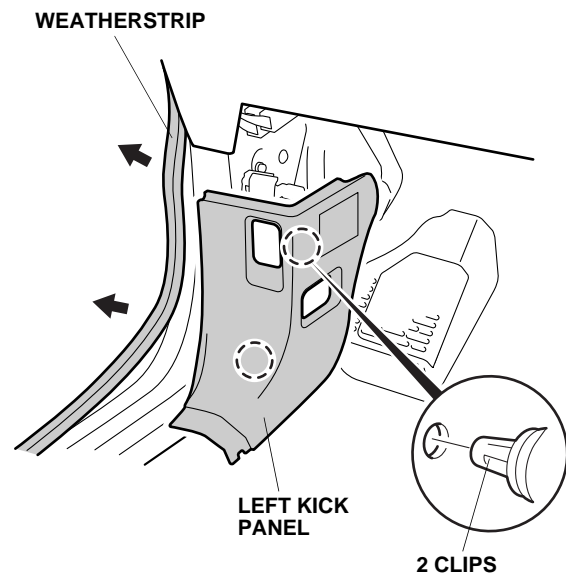
### NOTE:

- Thoroughly clean the bottom of the body from the rear of the front wheels to the front of the rear wheels.
  - Be careful not to damage the paint finish. To prevent damage, place a blanket under the running boards during installation.
  - These instructions show the left side running board being installed; the same procedure applies to installing the right side running board.
1. Make sure you have the anti-theft code for the radio, then write down the radio station presets.
  2. Disconnect the negative cable from the battery.

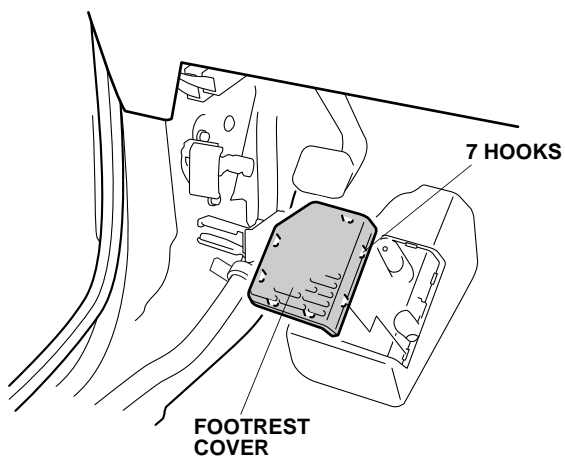
3. Remove the left front side step trim (four clips).



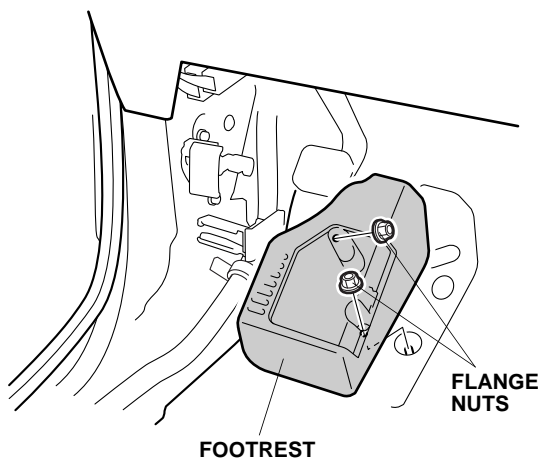
4. Pull back the weatherstrip, and remove the left kick panel (two clips).



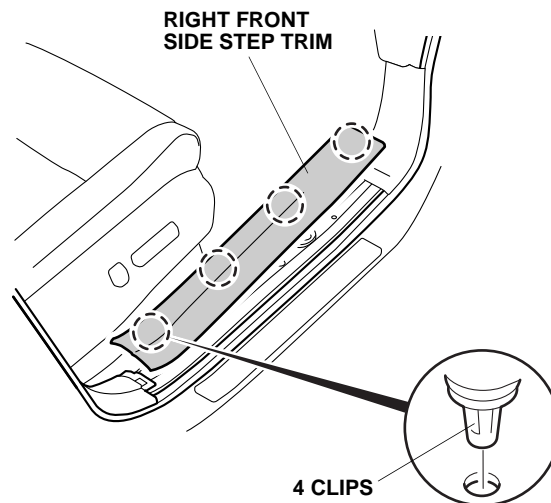
5. Remove the footrest cover (seven hooks).



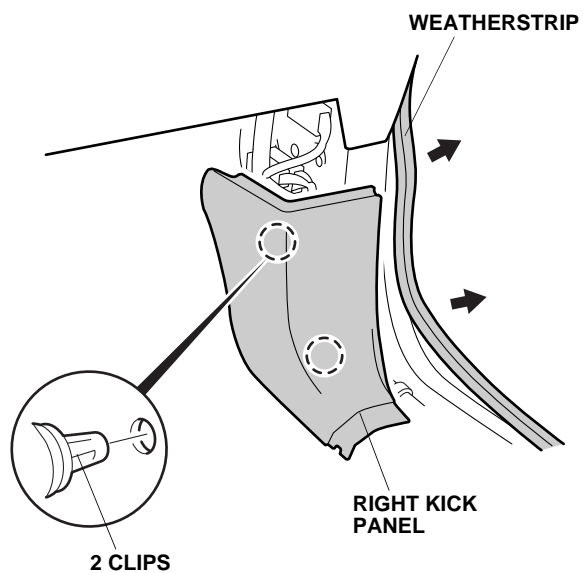
6. Remove the footrest (two flange nuts).



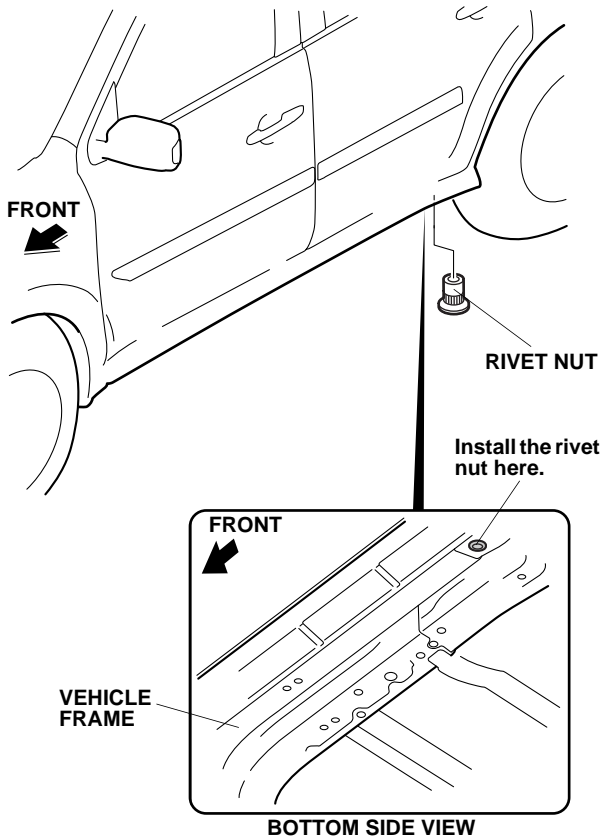
7. Remove the right front side step trim (four clips).



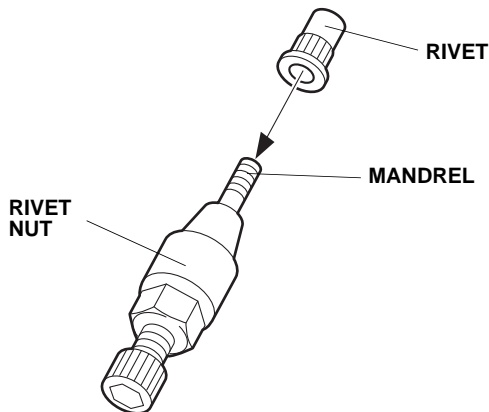
8. Pull back the weatherstrip, and remove the right kick panel (two clips).



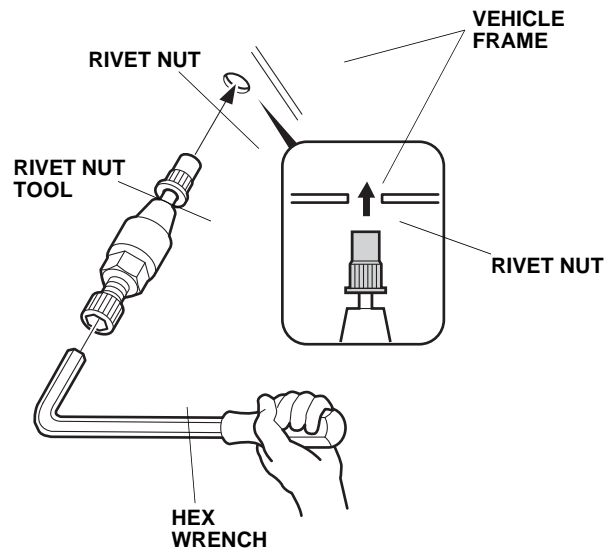
- 9. Install the rivet nut to the vehicle frame as shown.



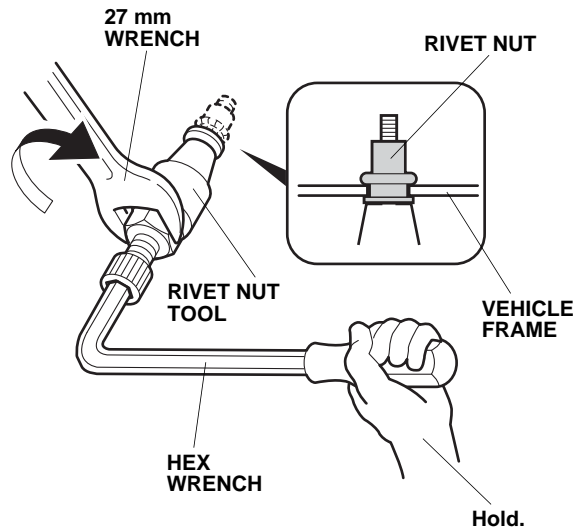
- Screw the rivet nut onto the mandrel of the rivet nut tool as shown.



- Insert the rivet nut into the hole in the vehicle frame and install the hex wrench on the rivet nut tool.

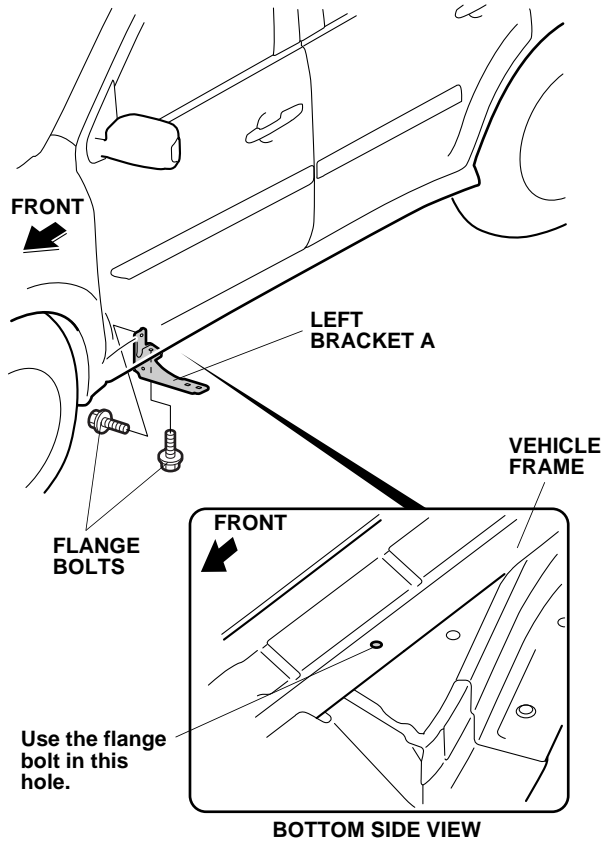


- Holding the rivet nut tool with the hex wrench, turn the 27 mm wrench clockwise and install the rivet nut on the vehicle frame.

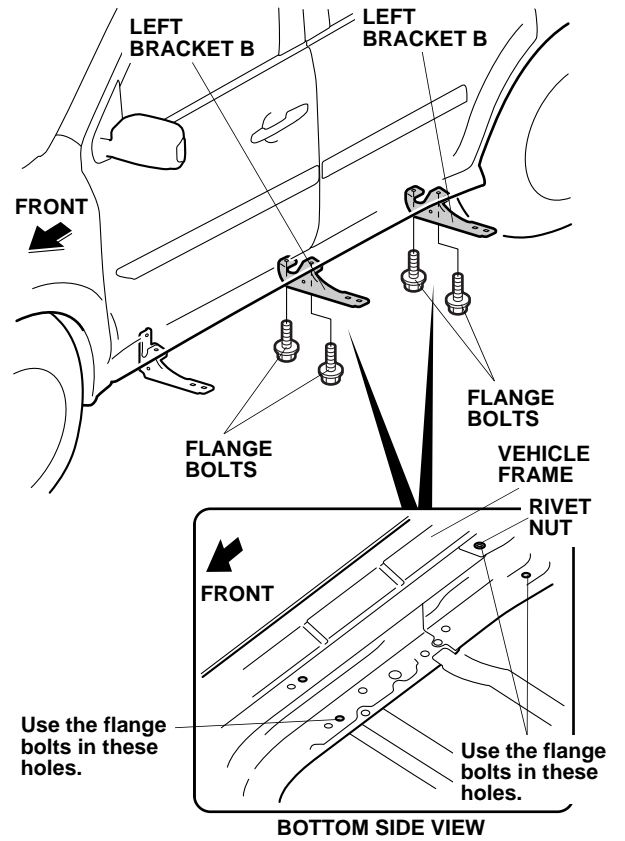


- Remove the rivet nut tool from the rivet nut by turning the hex wrench counterclockwise.

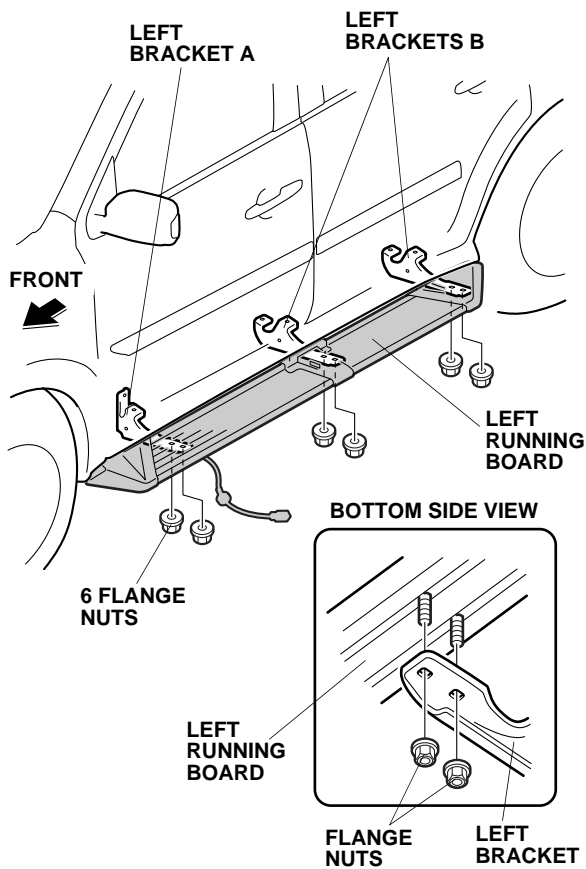
10. Install left bracket A on the vehicle frame with two flange bolts. Do not tighten the flange bolts yet. Make sure the flange bolts are installed in the correct locations.



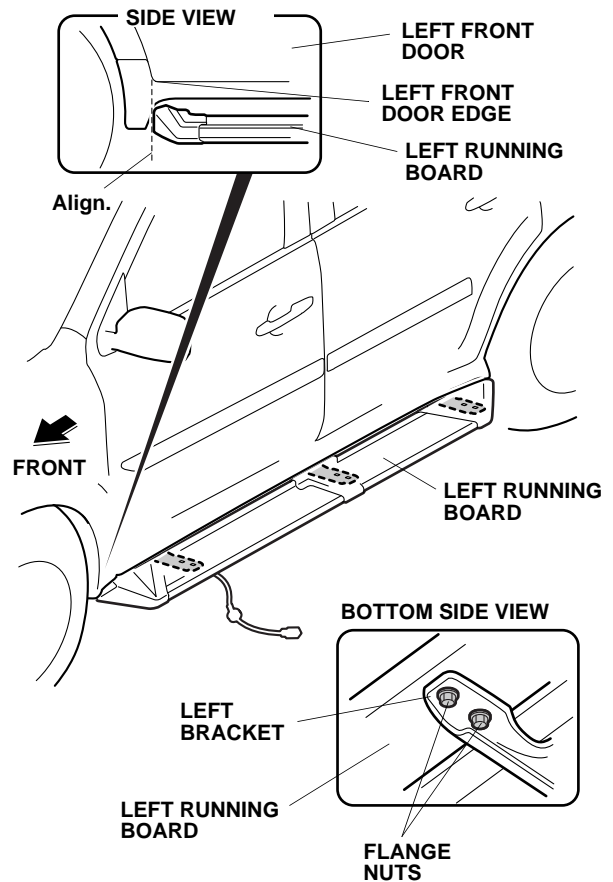
11. Install two left brackets B on the vehicle frame using two flange bolts for each. Do not tighten the flange bolts yet. Make sure the flange bolts are installed in the correct locations.



- Position the left running board on the left bracket A and the two left brackets B. Install the left running board with six flange nuts. Do not tighten the flange nuts yet.

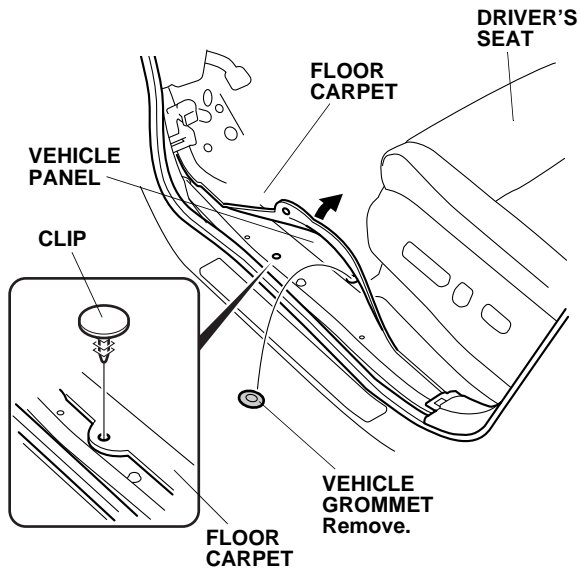


- Align the front of the left running board with the left front door edge as shown.



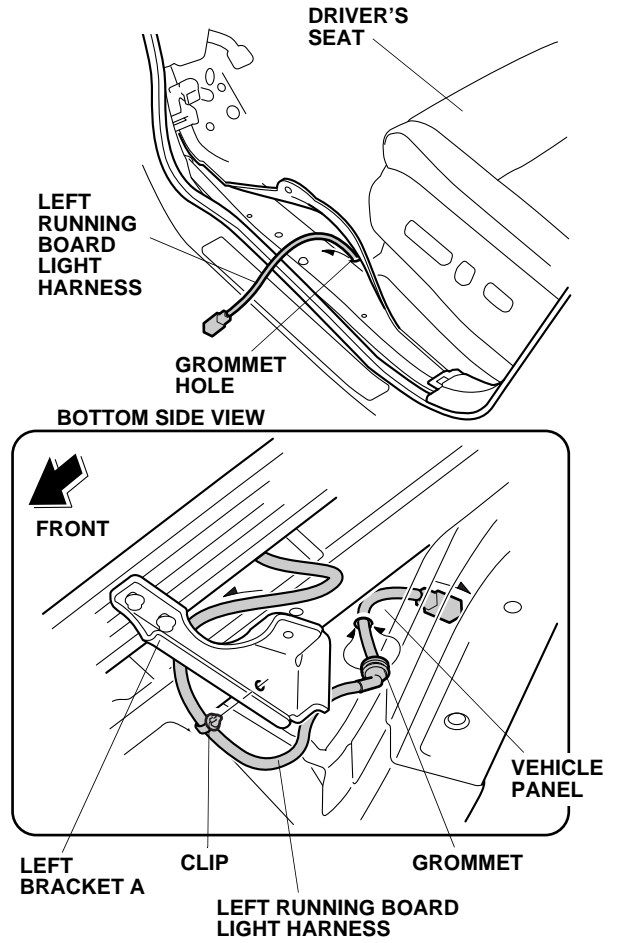
- Tighten the six flange nuts that were loosely installed in step 12. Torque the flange nuts to 27 N·m (19 lbf·ft).
- Tighten the six flange bolts that were loosely installed in step 10 and step 11. Torque the flange bolts to 27 N·m (19 lbf·ft).
- Repeat steps 9 through 15 to install the running board on the right side of the vehicle.

17. Remove the clip on the driver's side, and pull away the floor carpet from the area shown.



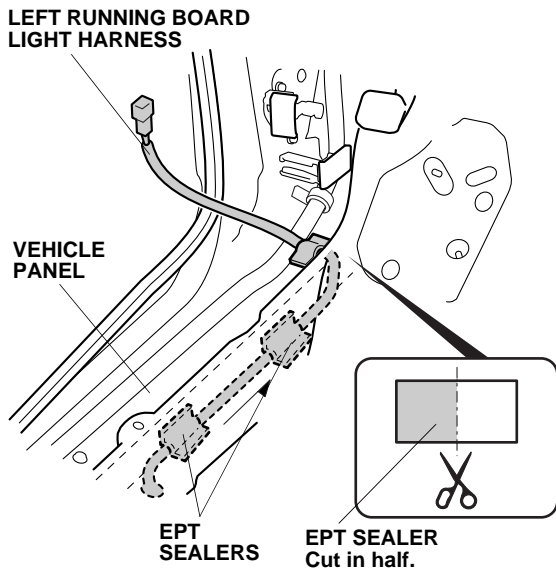
18. Remove the vehicle grommet from the floor.

19. Route the left running board light harness into the hole in the vehicle, and install the grommet in the vehicle panel.

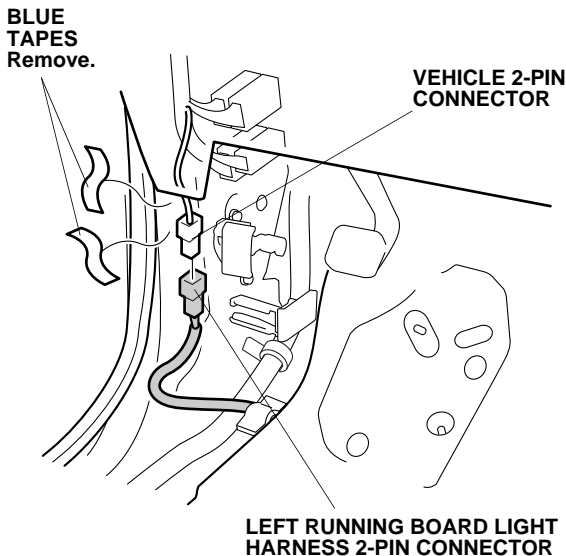


20. Install the clip to left bracket A.

21. Route the left running board light harness in the vehicle as shown.

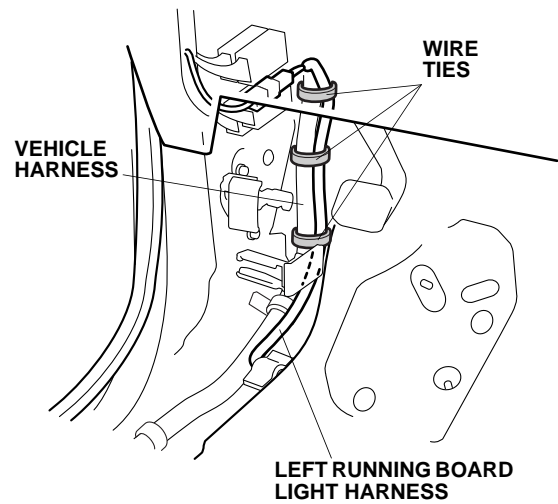


22. Using isopropyl alcohol on a shop towel, clean the areas where the EPT sealers will attach. Secure the left running board light harness to the vehicle panel with two EPT sealers.
23. Cut a EPT sealer in half, and secure the left running board light harness to the vehicle panel with one half EPT sealer.
24. Locate and remove the two blue tapes to free the vehicle 2-pin connector.

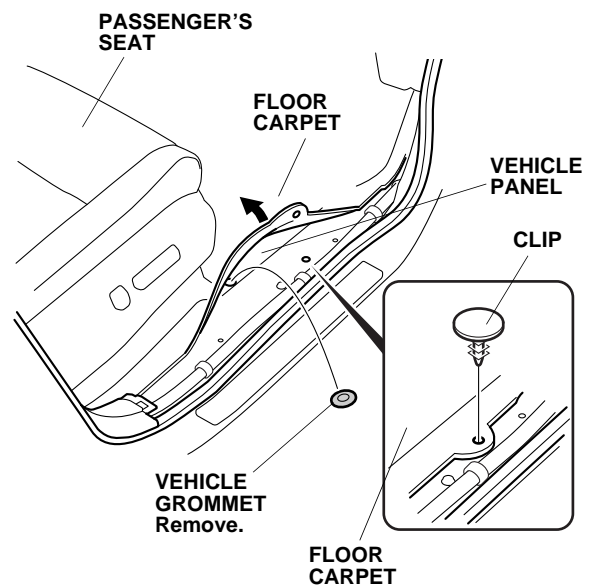


25. Plug the left running board light harness 2-pin connector into the vehicle 2-pin connector.

26. Secure the left running board light harness to the vehicle harness with three wire ties.



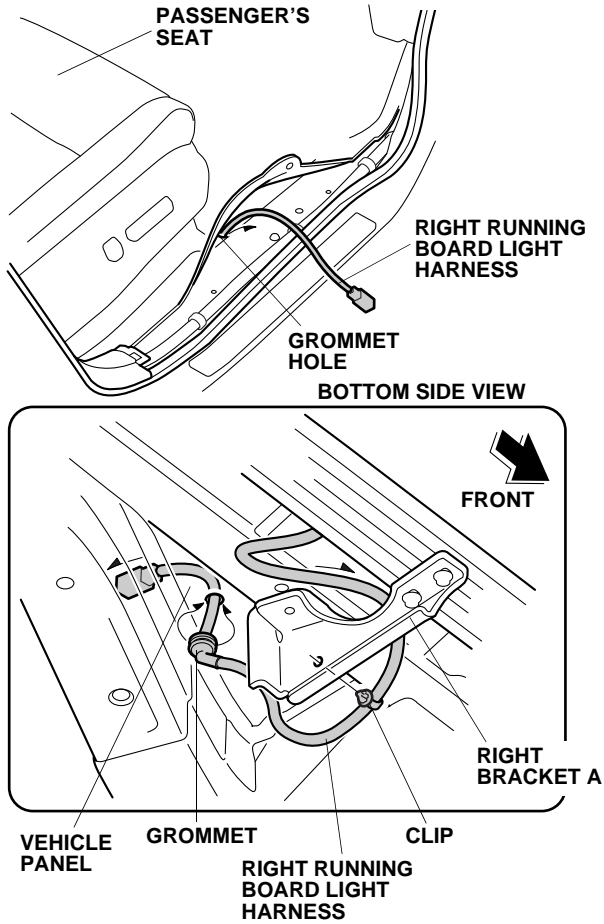
27. Remove the clip on the passenger's side, and pull away the floor carpet from the area shown.



28. Remove the vehicle grommet from the floor.

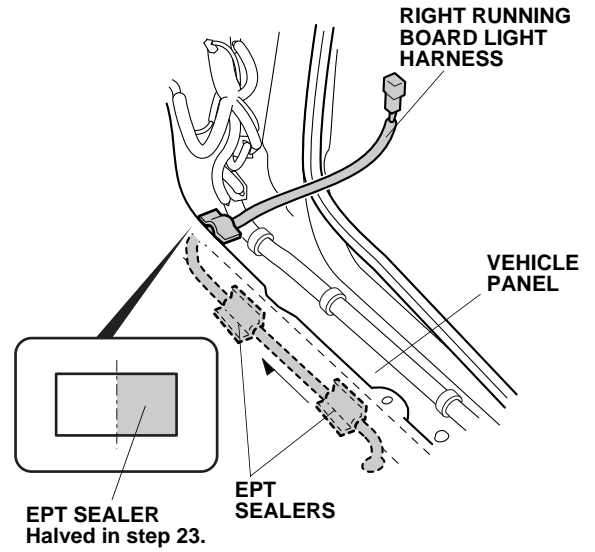


- Route the right running board light harness into the hole in the vehicle, and install the grommet in the vehicle panel.

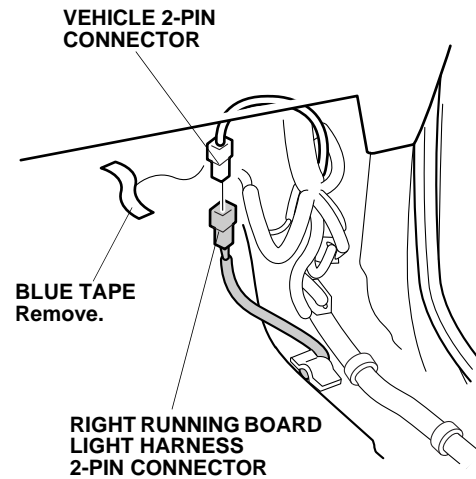


- Install the clip to right bracket A.

- Route the right running board light harness in the vehicle as shown.

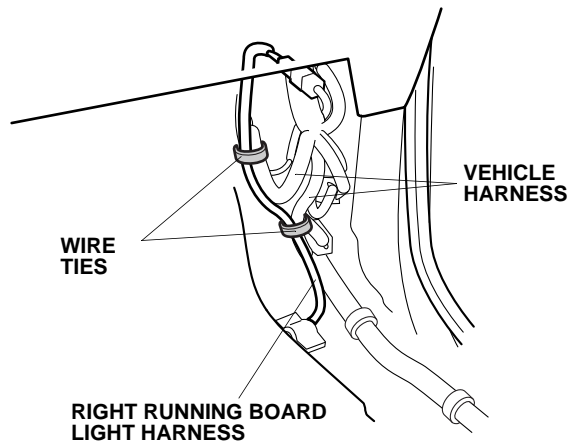


- Using isopropyl alcohol on a shop towel, clean the areas where the EPT sealers will attach. Secure the right running board light harness to the vehicle panel with two EPT sealers.
- Secure the right running board light harness to the vehicle panel with one half EPT sealer you cut in step 23.
- Locate and remove the blue tape to free the vehicle 2-pin connector.



- Plug the right running board light harness 2-pin connector into the vehicle 2-pin connector.

36. Secure the right running board light harness to the vehicle harness with two wire ties.



37. Check that all wire harnesses are routed properly and all connectors are plugged in.
38. Reinstall all removed parts.
39. Reconnect the negative cable to the battery.
40. Enter the customer's radio anti-theft code, and reset the radio station presets.
41. Reset the clock.

#### **Check the Operation of the Running Board Lights**

- The light on the running board will come on when the door is opened.
- The light on the running board will remain on for a period of time after closing the door.
- The light on the running board will come on when the driver's door is unlocked with the key.