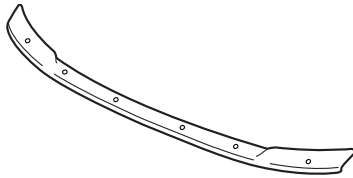


## PARTS LIST

Hood air deflector



2 Brackets A



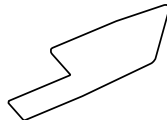
2 Brackets B



2 Brackets C



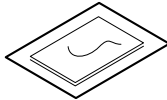
Template



2 Collars



3 Alcohol swabs



4 Clips



2 Screws



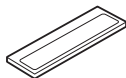
4 Truss screws



4 Protective films



Advice label



4 Grommet nuts

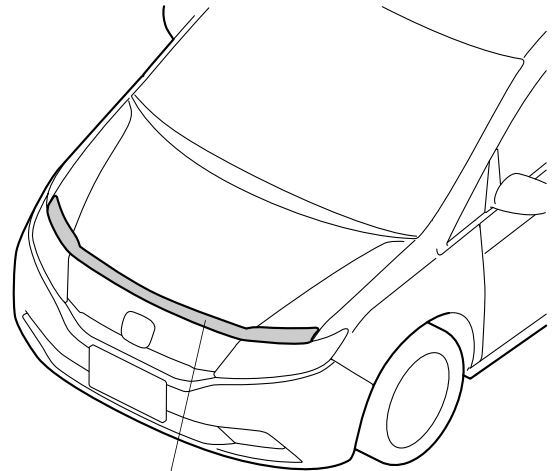


## TOOLS AND SUPPLIES REQUIRED

Phillips screwdriver

Masking tape

### Illustration of the Hood Air Deflector on the Vehicle



HOOD AIR DEFLECTOR

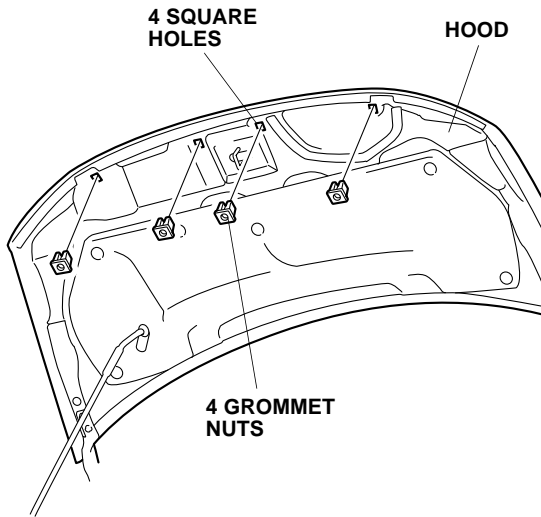
## INSTALLATION

**Customer Information:** The information in this installation instruction is intended for use only by skilled technicians who have the proper tools, equipment, and training to correctly and safely add equipment to your vehicle. These procedures should not be attempted by "do-it-yourselfers."

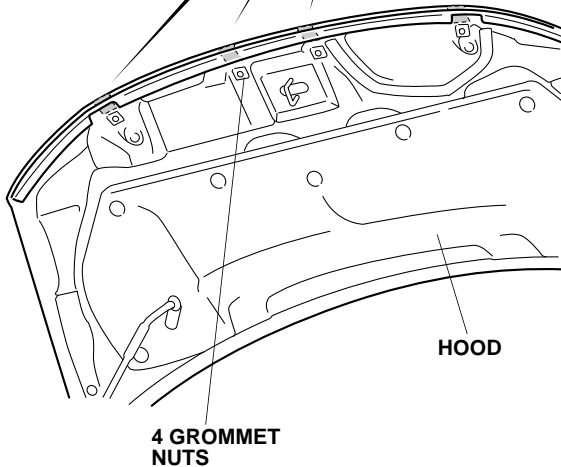
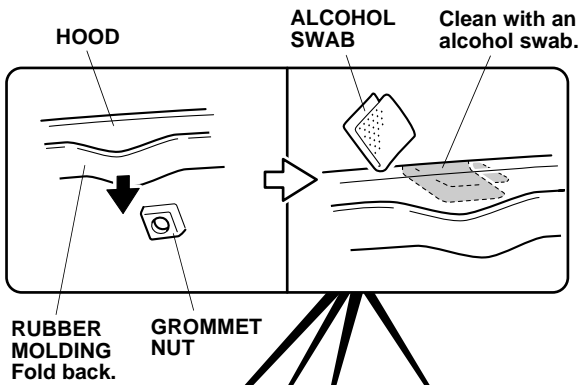
### NOTE:

- Be careful not to damage the paint finish.
- This kit should be installed only if the ambient air temperature is 15°C (60°F) or above.
- To allow the adhesive to cure, do not wash the vehicle for 24 hours. Please advise your customer.

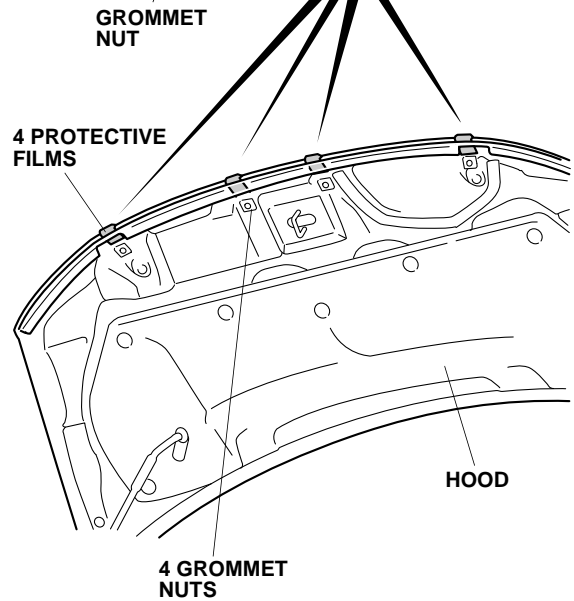
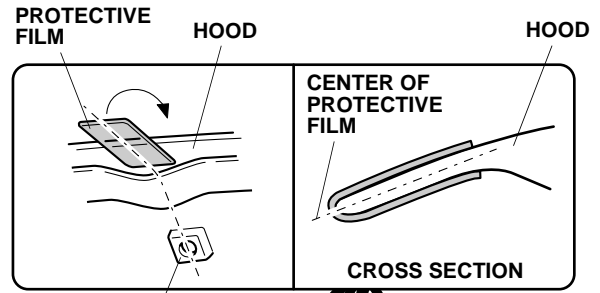
1. Open the hood. Locate the four square holes on the inside of the hood. Push one grommet nut into each square hole in the hood.



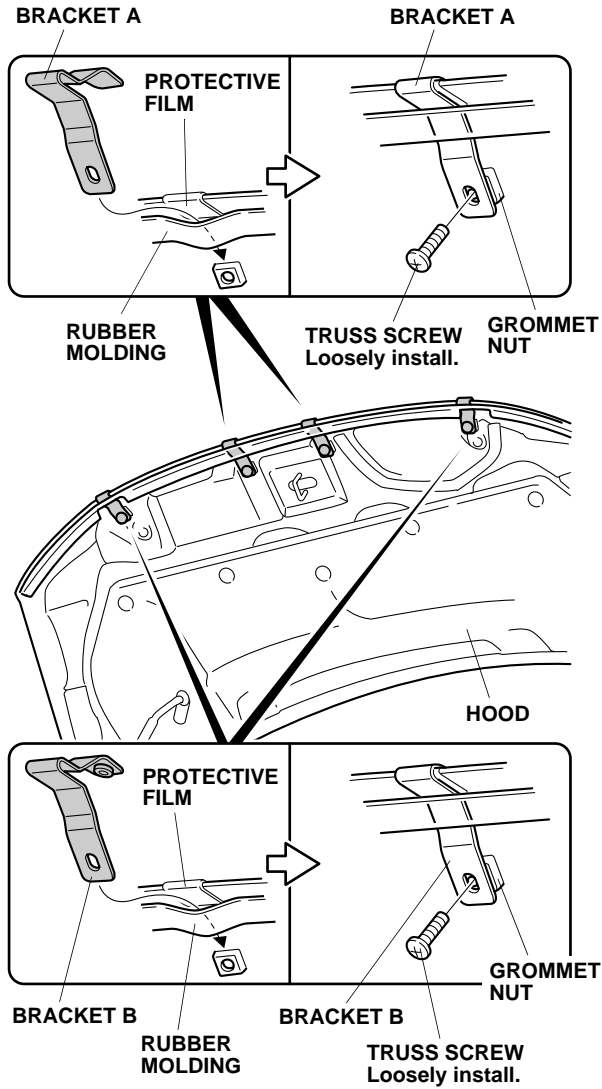
2. Fold back the rubber molding from the inside edge of the hood. Using an alcohol swab, clean the four areas above the grommet nuts.



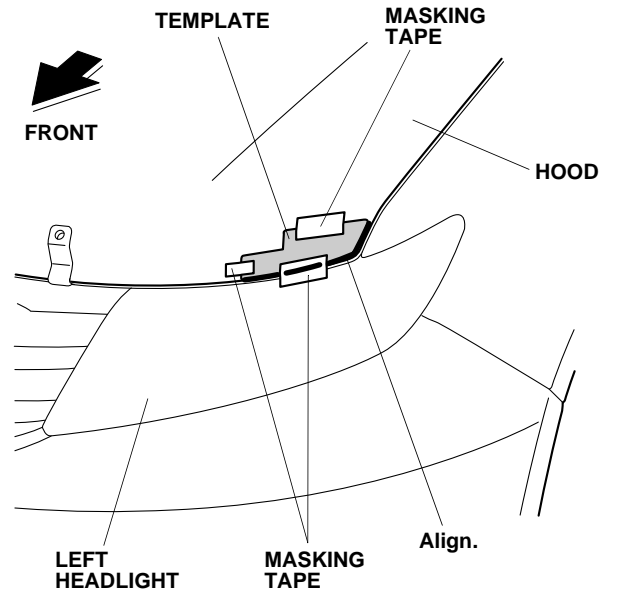
3. Remove the adhesive backings from the four protective films, and attach them to the front of the hood above the grommet nuts.



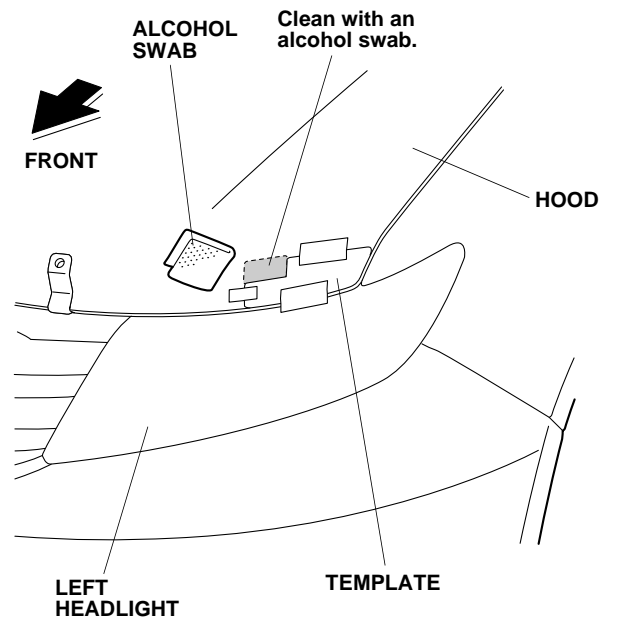
- Slide the two brackets A and the two brackets B over the lip of the hood, and align them with the holes in the grommet nuts. Loosely install a truss screw through each bracket.



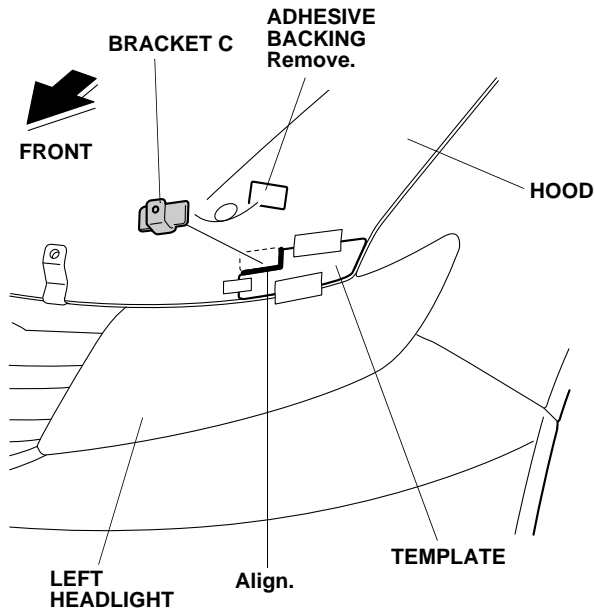
- Close the hood. Attach the template to the front edge of the hood on the driver's side of the vehicle as shown. Secure the template to the hood with strips of masking tape.



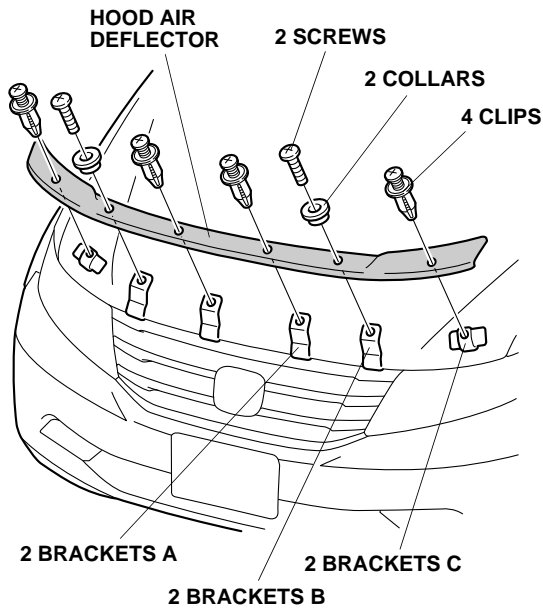
- Using an alcohol swab, clean the area where the bracket C will mount.



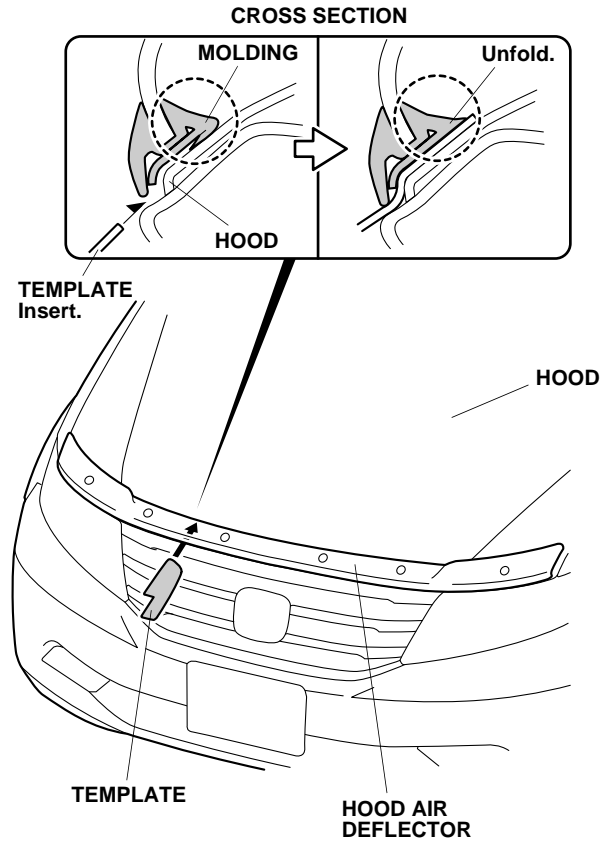
- Remove the adhesive backing from bracket C, and align it to the template. Adhere bracket C to the hood and hold it in place for 30 seconds. Remove the template.



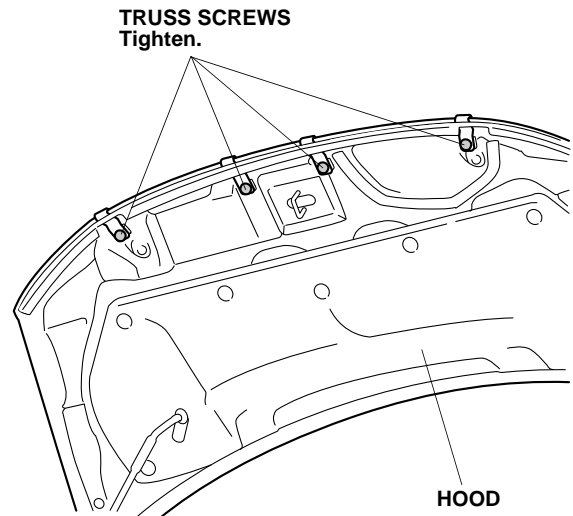
- Turn the template over and repeat steps 5 through 7 to install the other bracket C on the right side of the vehicle.
- Position the hood air deflector on the hood. Align the holes in the hood air deflector with the holes in the six brackets. Install the hood air deflector to the brackets with two screws, two collars, and four clips. Tighten the screws securely.



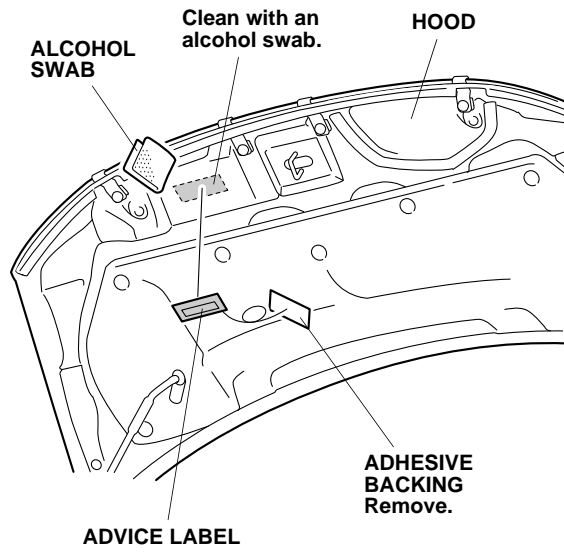
- Insert the large end of the template between the hood and the hood air deflector to unfold the molding as shown.



- Open the hood. Tighten the four truss screws loosely installed in step 4.



- Using an alcohol swab, clean the inside of the hood where the advice label will attach.



- Remove the adhesive backing from the advice label, and attach the advice label to the hood as shown.  
**NOTE:** Do not attach the advice label over the other vehicle caution labels.

#### **CARE OF THE HOOD AIR DEFLECTOR**

- To avoid damaging the surface, never use ammonia-based cleaners or solvents to clean the hood air deflector.
- Clean with a solution of mild dishwashing soap and water using a soft cloth or chamois.
- To remove fine scratches and restore the original luster, use Meguiar's Mirror Glaze plastic cleaner and polish or an equivalent high-quality plastic cleaner.