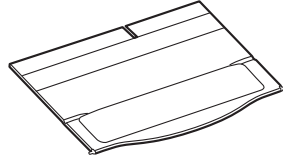
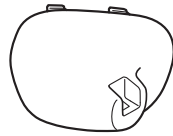


**PARTS LIST**

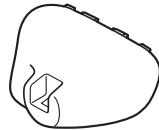
Magic board



Left access panel



Right access panel



2 Holders



Left bracket



Right bracket



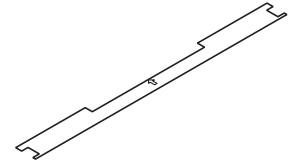
2 Self-tapping screws (truss head)



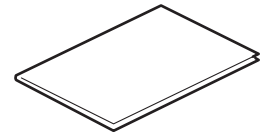
2 Self-tapping screws (pan head)



Template



Accessory User's Information Manual

**TOOLS AND SUPPLIES REQUIRED**

Phillips screwdriver

Masking tape

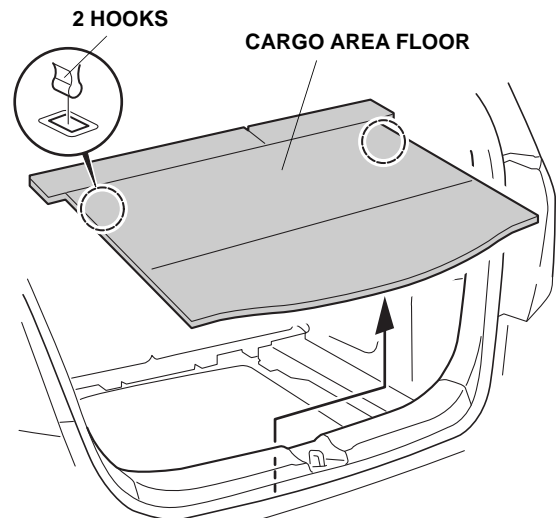
Utility knife

Plastic Trim Tool (T/N SILTRIMTL10)

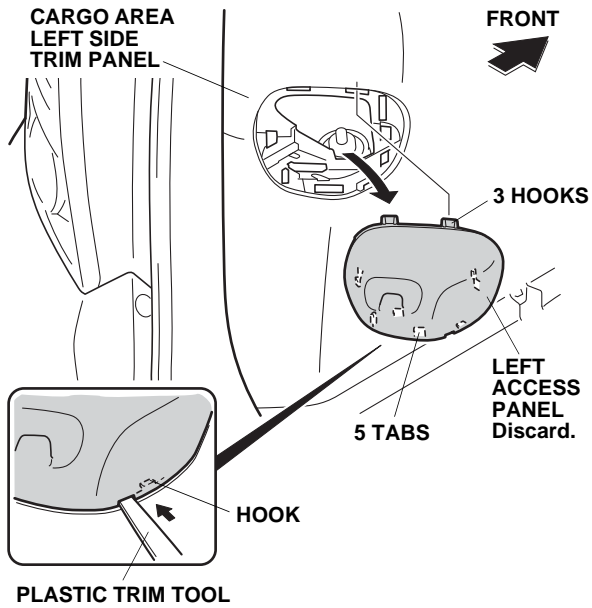
**INSTALLATION**

**Customer Information:** The information in this installation instruction is intended for use only by skilled technicians who have the proper tools, equipment, and training to correctly and safely add equipment to your vehicle. These procedures should not be attempted by "do-it-yourselfers."

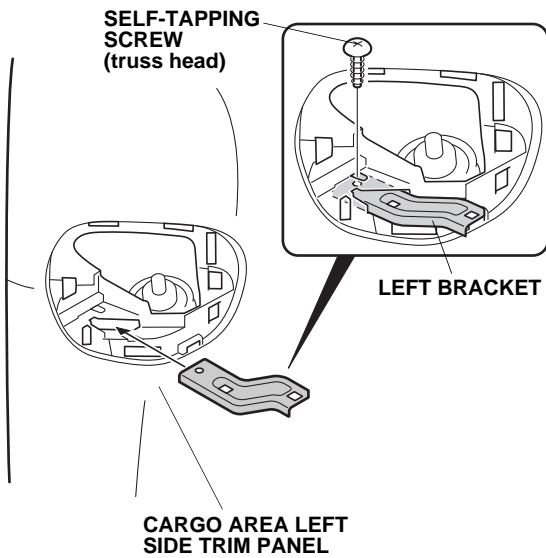
1. Remove the cargo area floor (two hooks).



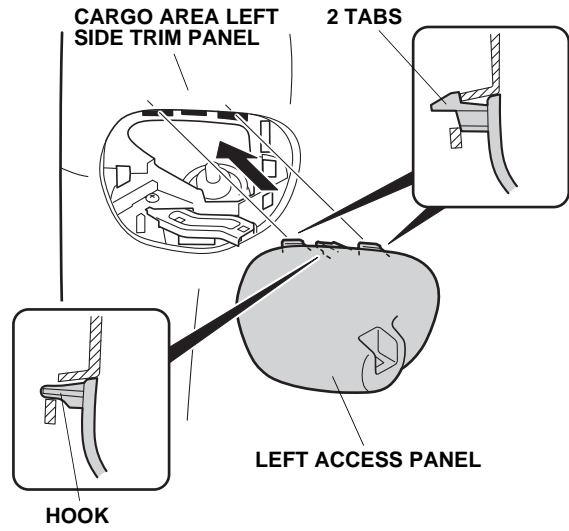
- Using a plastic trim tool, remove the left access panel (five tabs and three hooks).



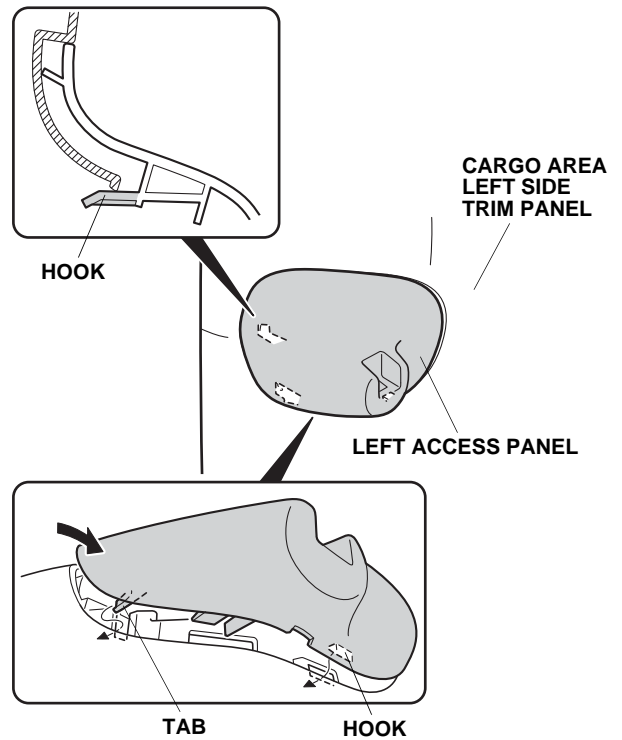
- Install the left bracket to the cargo area left side trim panel with one self-tapping screw (truss head).



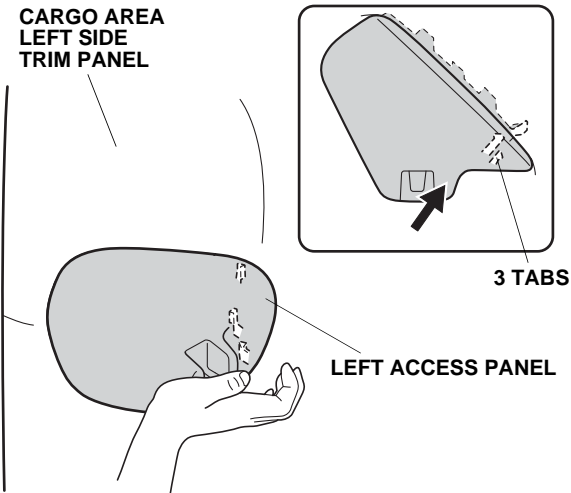
- Install the left access panel to the cargo area left side trim panel:
  - Fasten two tabs and one hook.



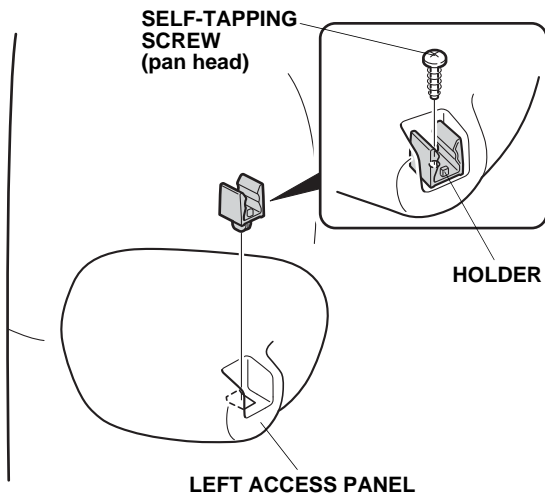
- Insert one tab, and install two hooks.



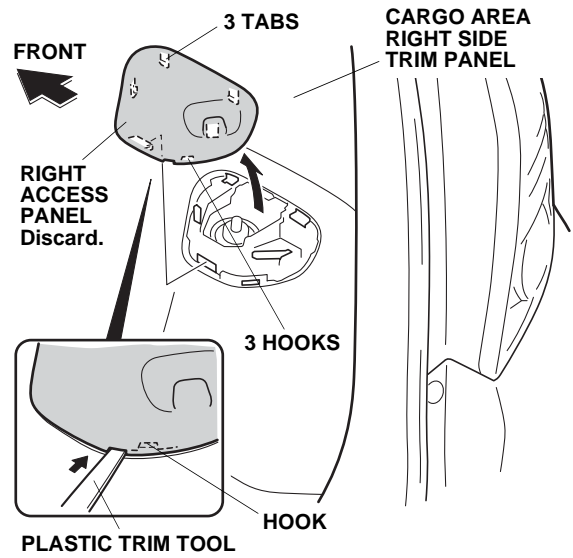
- Push the left access panel in the direction shown to lock three tabs.



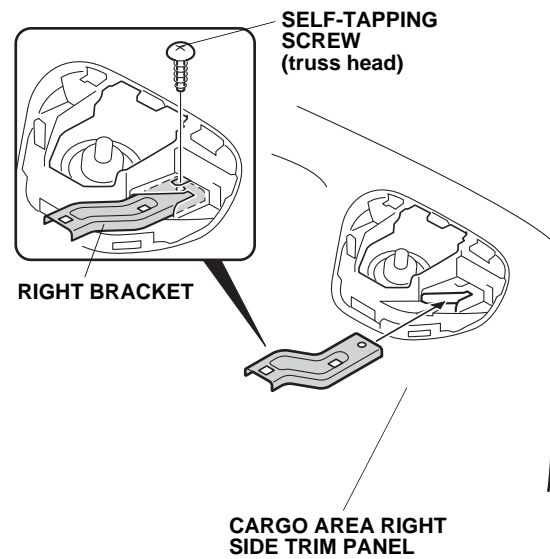
5. Install the holder to the left access panel with one self-tapping screw (pan head).



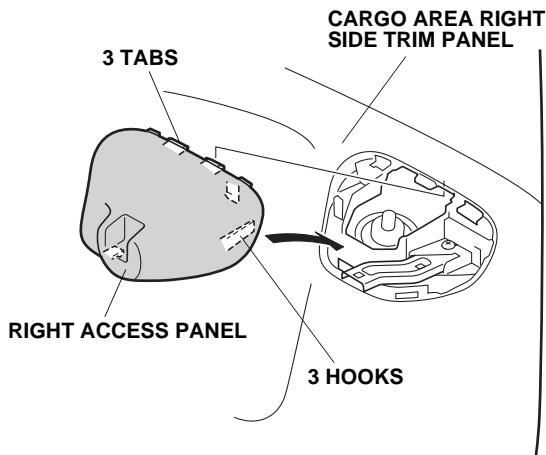
6. Using a plastic trim tool, remove the right access panel (three tabs and three hooks).



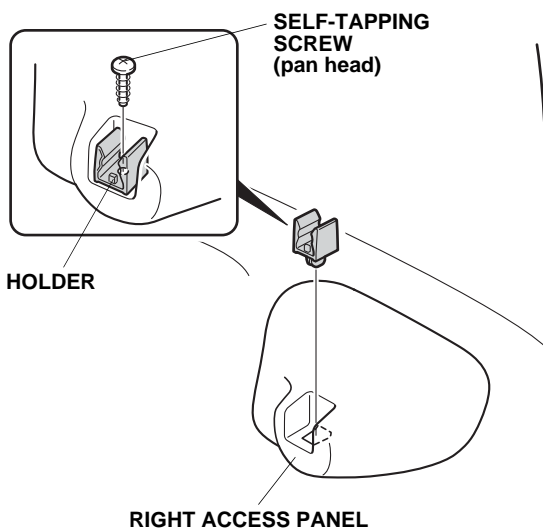
7. Install the right bracket to the cargo area right side trim panel with one self-tapping screw (truss head).



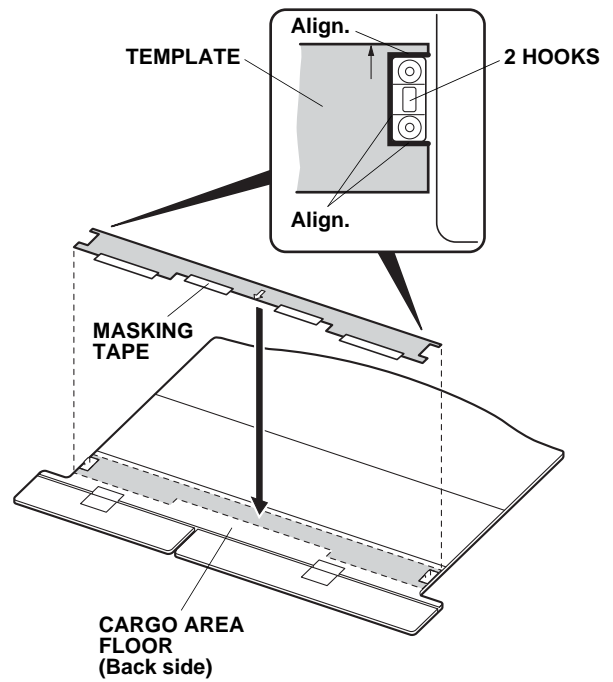
8. Install the right access panel to the cargo area right side trim panel.



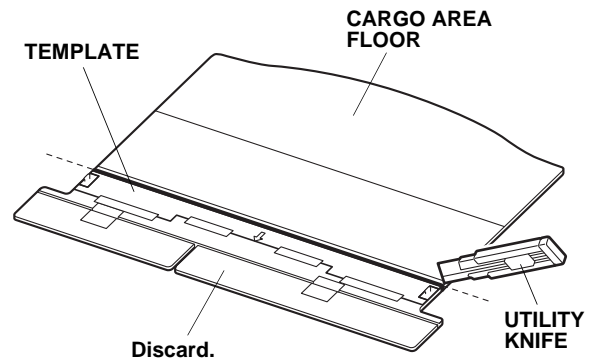
9. Install the holder to the right access panel with one self-tapping screw (pan head).



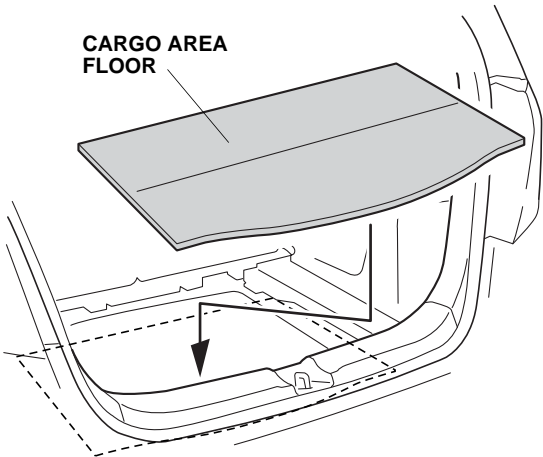
10. Align the template to the cargo area floor, and attach it with masking tape.



11. Using a utility knife, cut the cargo area floor along the edge of the template.



12. Reinstall the cargo area floor.



13. Install the magic board.

