

**HONDA**  
**INSTALLATION**  
**INSTRUCTIONS**

Accessory  
**CARGO COVER**

Application  
**2013 FIT**

Publications No.  
**All 13202**  
 Issue Date  
**JULY 2012**

**PARTS LIST**

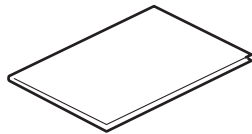
Cargo cover



2 Clips

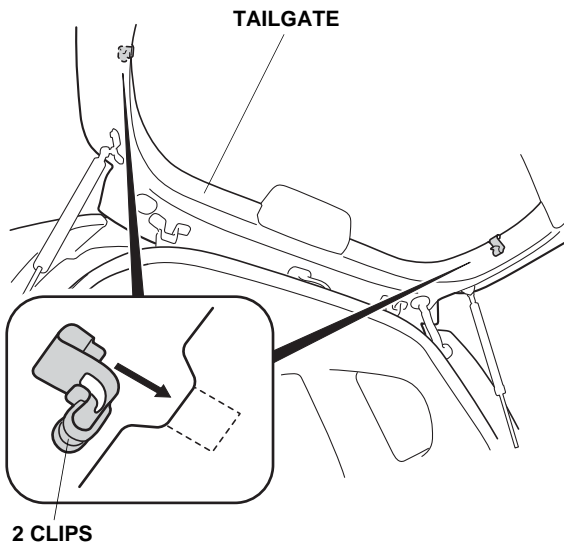


Accessory User's Information Manual

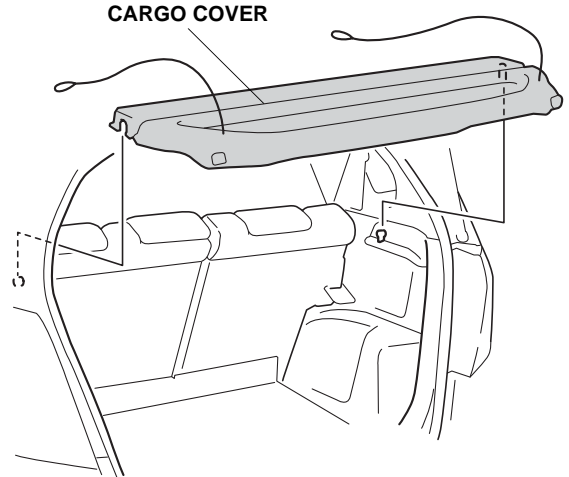


**INSTALLATION**

1. Install the two clips to the inside of the tailgate frame.



2. Install the cargo cover in the cargo area.



3. Hook the cords to the clips on the tailgate.

