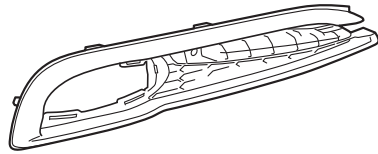


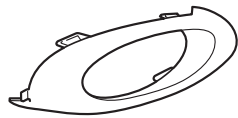
## PARTS LIST

**Fog Light Kit**  
P/N 08V31-TR0-100D (without auto light)  
P/N 08V31-TR0-100E (with auto light)

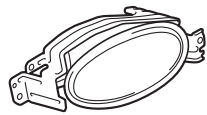
Right fog light trim



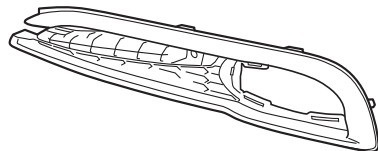
Right fog light cover



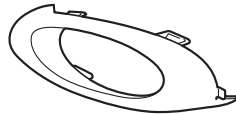
Right fog light



Left fog light trim



Left fog light cover



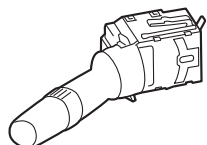
Left fog light



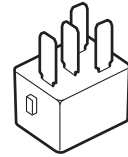
6 Self-tapping screws



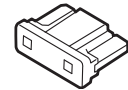
Combination light switch



Relay



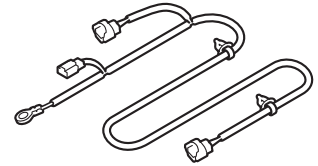
20A Fuse  
(May not be used)



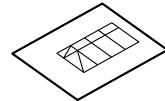
Switch harness



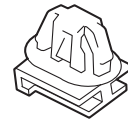
Fog light harness



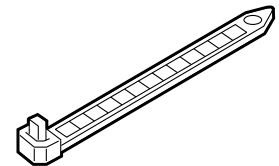
Fuse label  
(May not be used)



Clip A



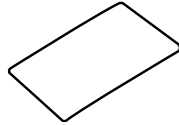
11 Wire ties



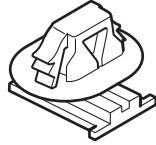
Relay bracket



## 2 Aluminum tapes



Clip B



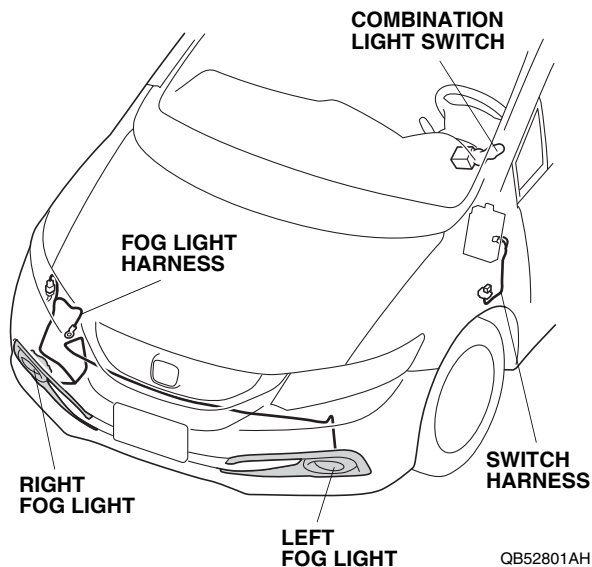
## TOOLS AND SUPPLIES REQUIRED

- Phillips screwdriver
- Flat-tip screwdriver
- Diagonal cutters
- 10 mm Socket
- Isopropyl alcohol
- Shop towel
- Tape
- Ratchet
- Blanket
- Small flat-tip screwdriver
- Scissors
- 5 mm Hex wrench

The following tool is available through the Honda Tool and Equipment Program. On the iN, click on: Service > Service Bay > Tool and Equipment Program, then enter the number under "Search". Or, call 888-424-6857.

- Plastic Trim Tool (T/N SILTRIMTL10)

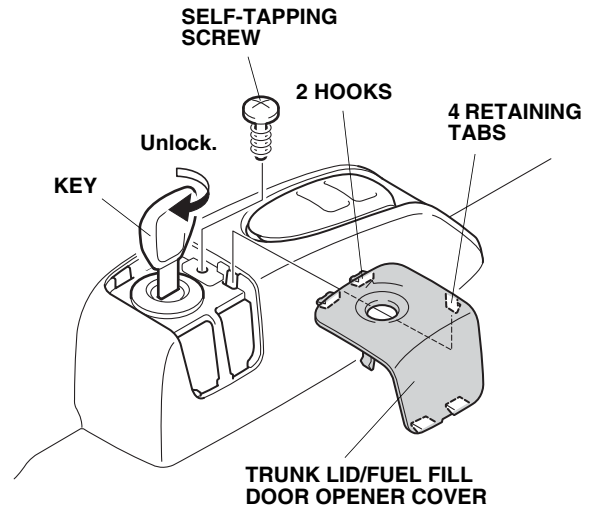
### Illustration of the Fog Lights in the Vehicle



## INSTALLATION

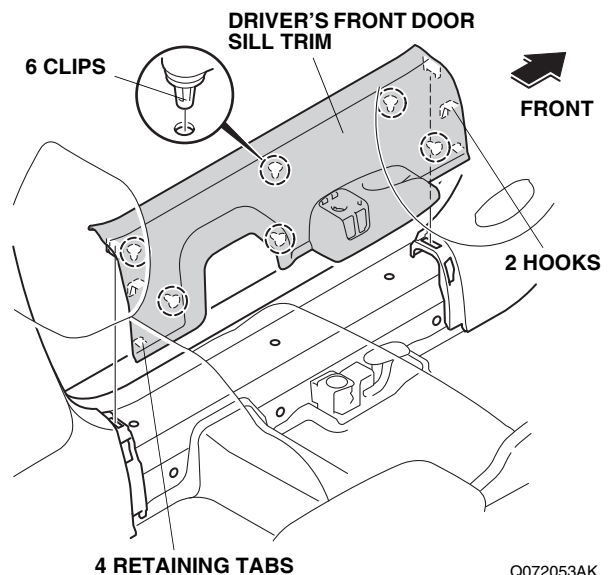
**Customer Information:** The information in this installation instruction is intended for use only by skilled technicians who have the proper tools, equipment, and training to correctly and safely add equipment to your vehicle. These procedures should not be attempted by "do-it-yourselfers."

1. Disconnect the negative cable from the battery.
2. Remove the trunk lid/fuel fill door opener cover (four retaining tabs and two hooks). Remove one self-tapping screw. Using the key, unlock the trunk lock.



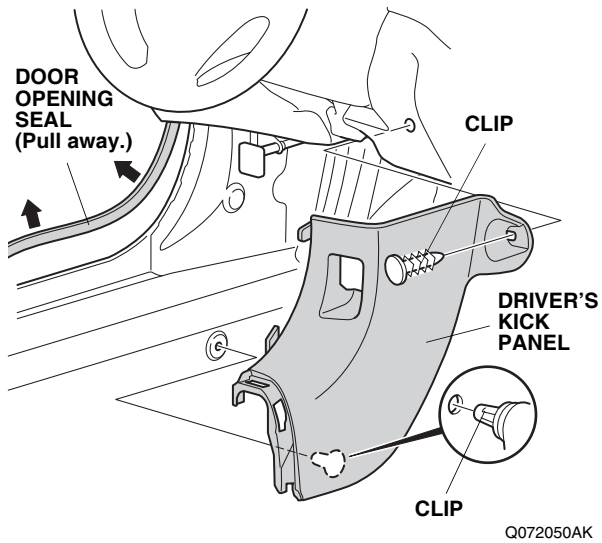
Q072052AK

3. Remove the driver's front door sill trim (six clips, two hooks, and four retaining tabs).

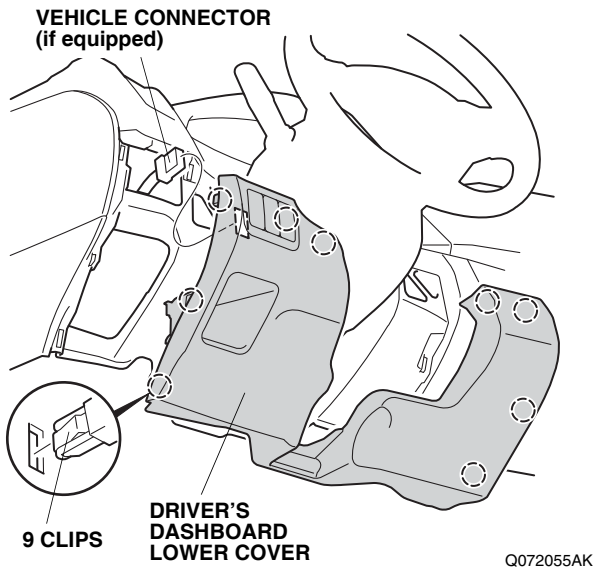


Q072053AK

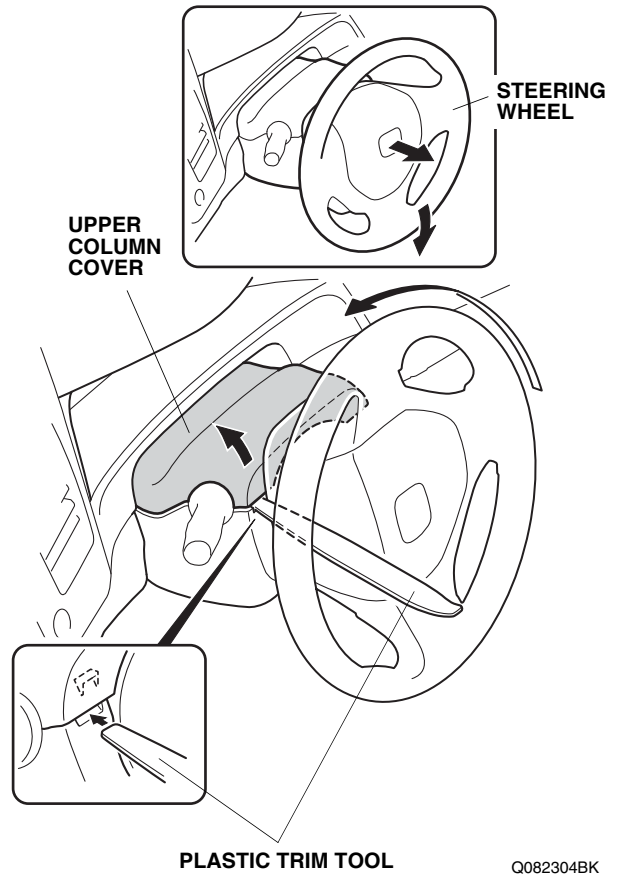
4. Pull away the door opening seal, and remove the driver's kick panel (two clips).



5. Remove the driver's dashboard lower cover (nine clips and unplug the vehicle connector, if equipped).

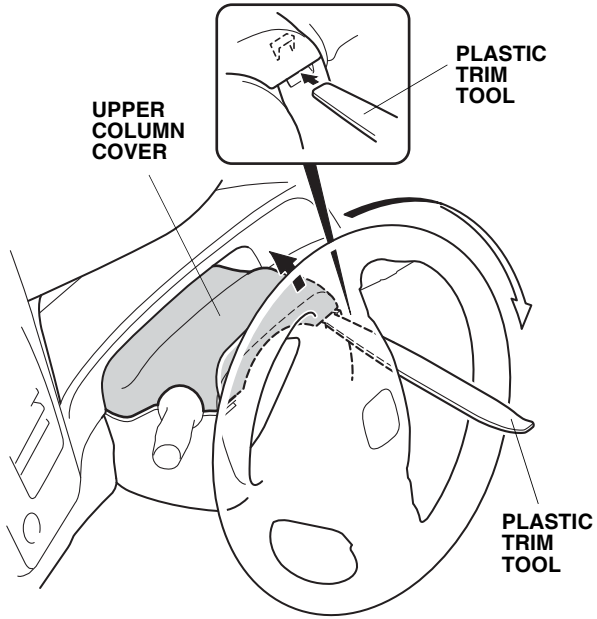


6. Lower the tilt lever, and turn the steering wheel 90° counterclockwise.



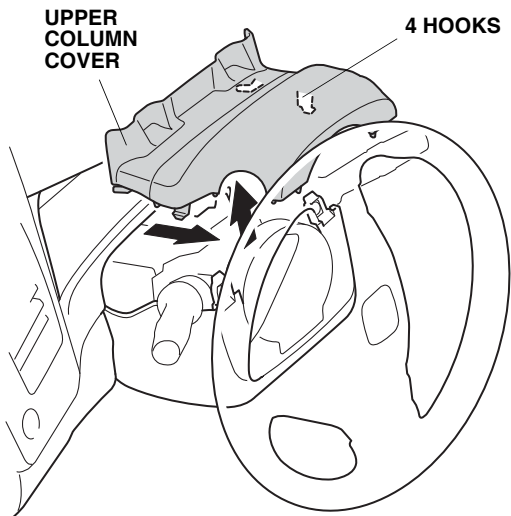
7. Using a plastic trim tool, release the lock tab as shown.

8. Turn the steering wheel 180° clockwise.



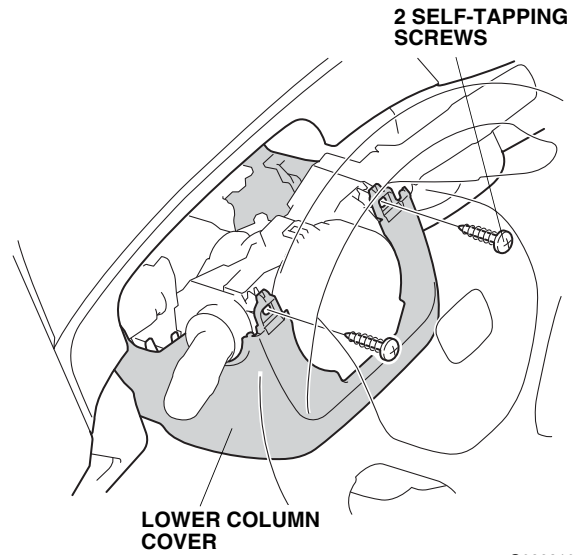
Q0D1402AH

9. Using a plastic trim tool, release the lock tab on the other side the same way.  
10. Remove the upper column cover (four hooks).



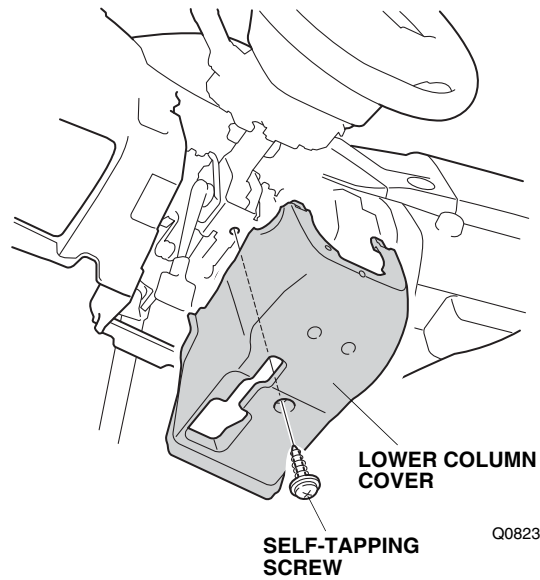
Q082307AK

11. Remove two self-tapping screws from the lower column cover.



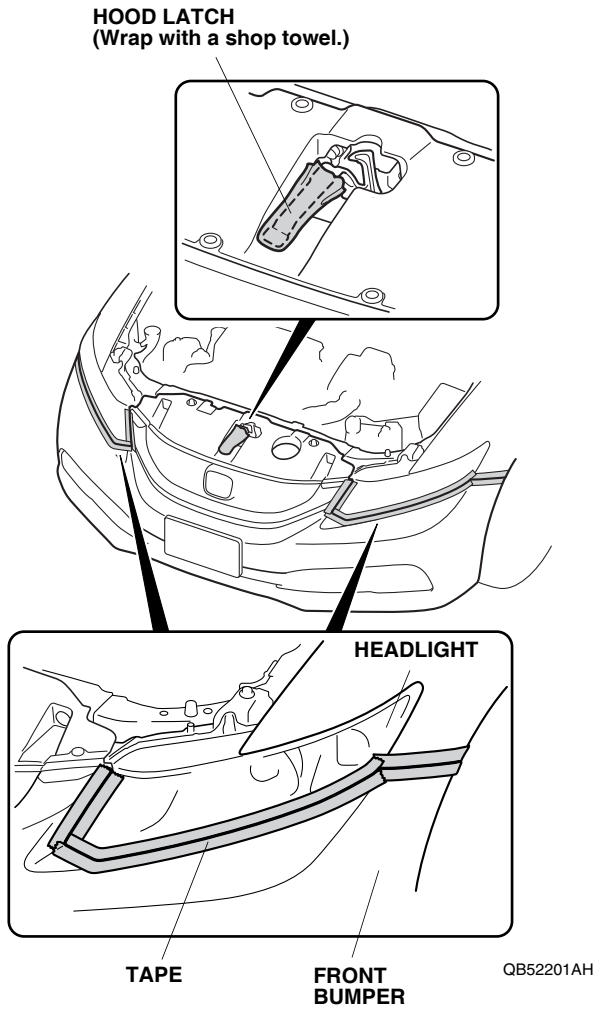
Q082310AK

12. Remove the lower column cover (one self-tapping screw).

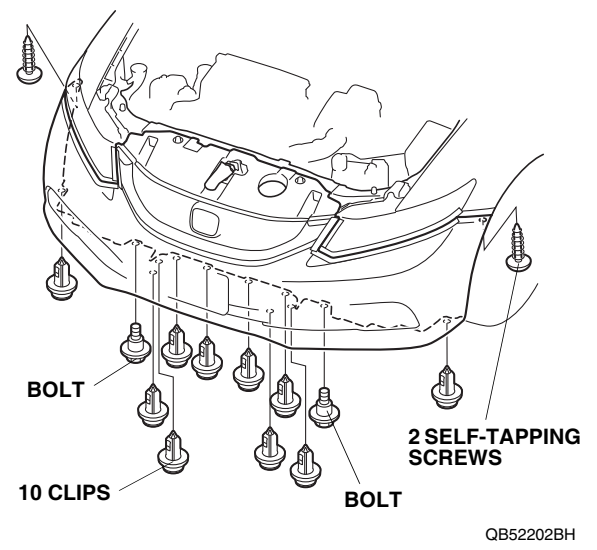


Q082311AK

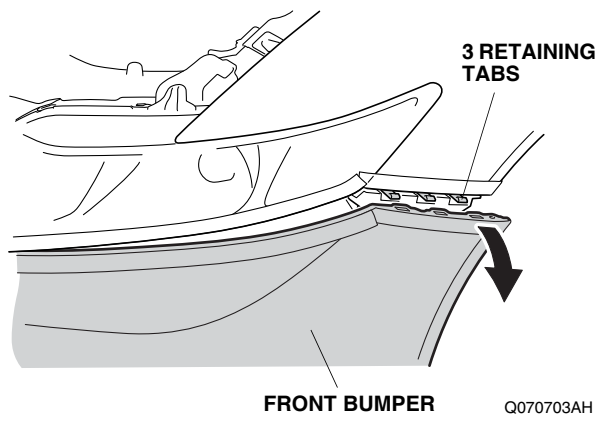
13. Remove the front bumper:
- On each side, attach tape to the areas shown.
  - Wrap a shop towel around the hood latch.



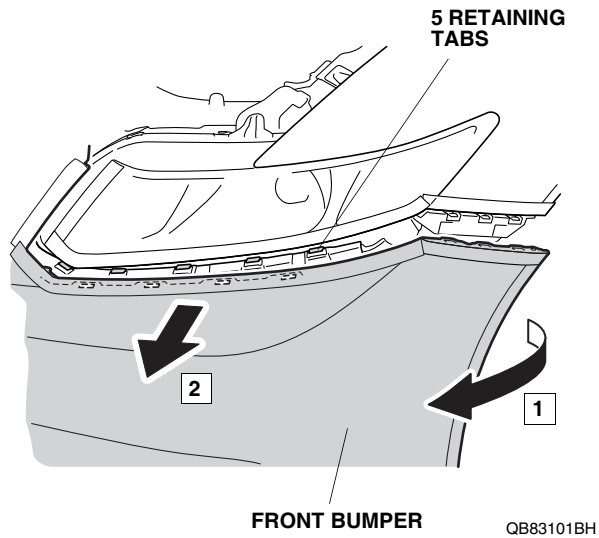
- Remove the two self-tapping screws, ten clips, and two bolts.



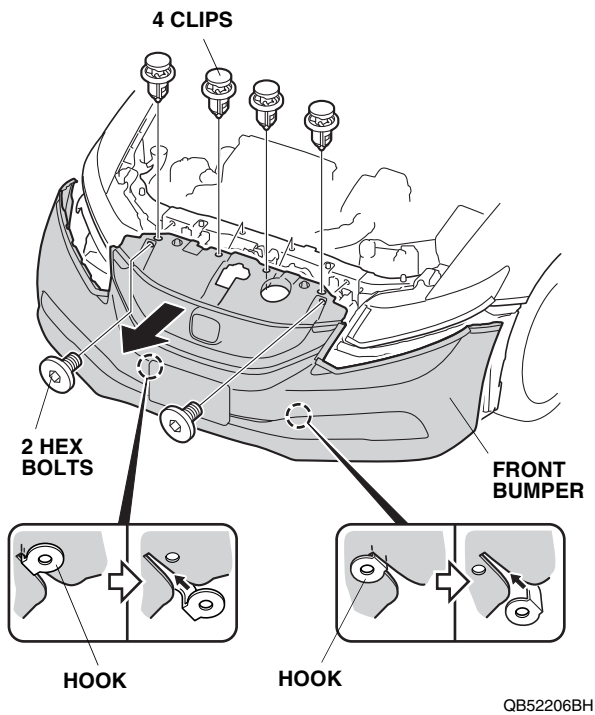
- On each side, release three retaining tabs.



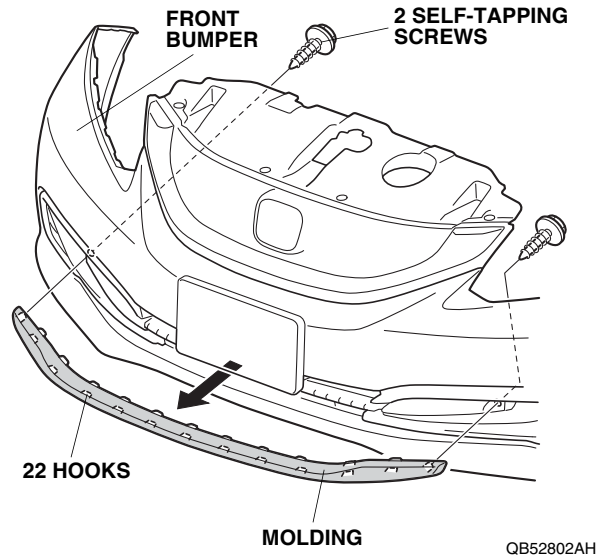
- On each side, release five retaining tabs.



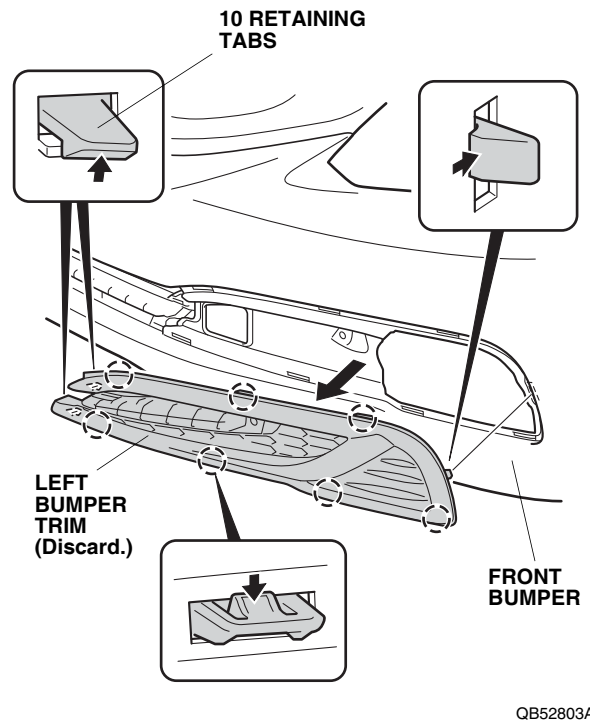
- With the help of an assistant, remove the front bumper (two hex bolts and four clips). Place the front bumper on a blanket to prevent damage.



- Remove the molding from the front bumper (2 self-tapping screws and 22 hooks).

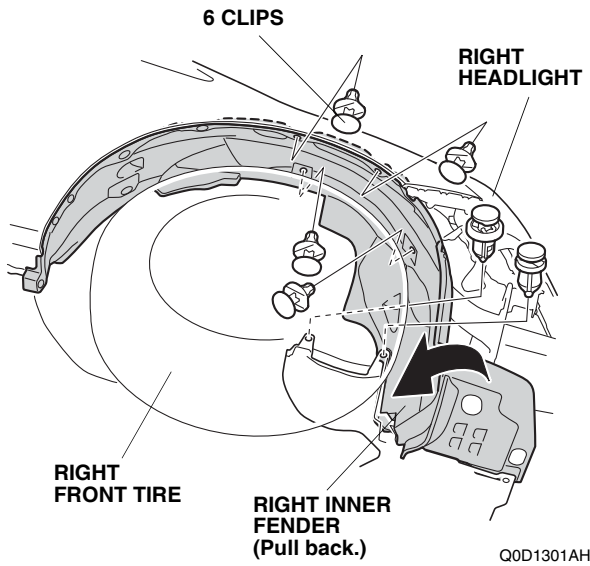


- Remove the left bumper trim from the front bumper (10 retaining tabs).

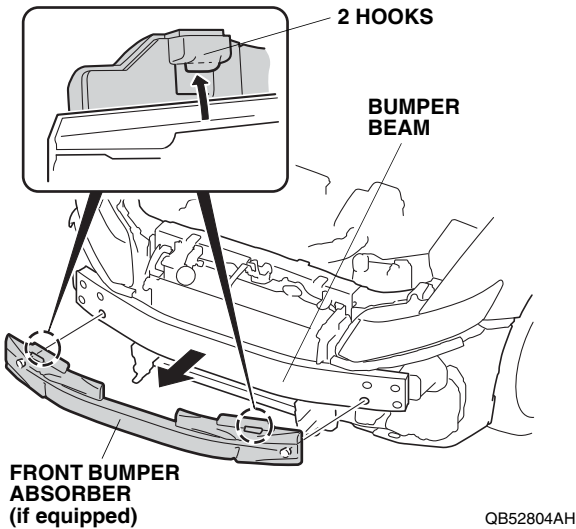


- Remove the right bumper trim the same way.

- Remove the six clips from the right front inner fender and pull back the right inner fender as shown.

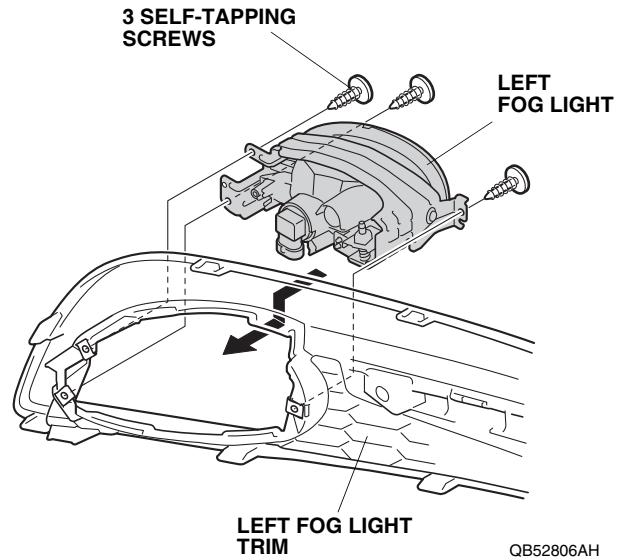


- If equipped, remove the front bumper absorber (two hooks).

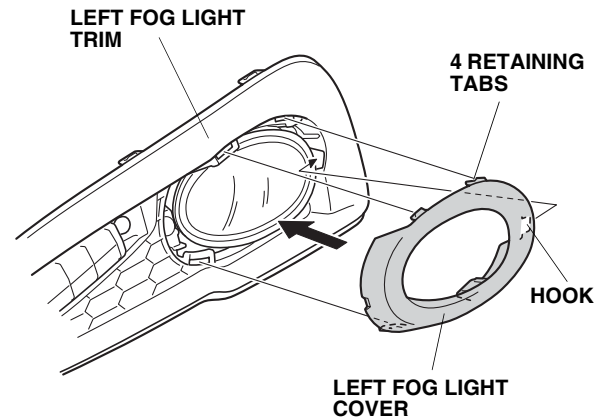


### Installing the Fog Lights

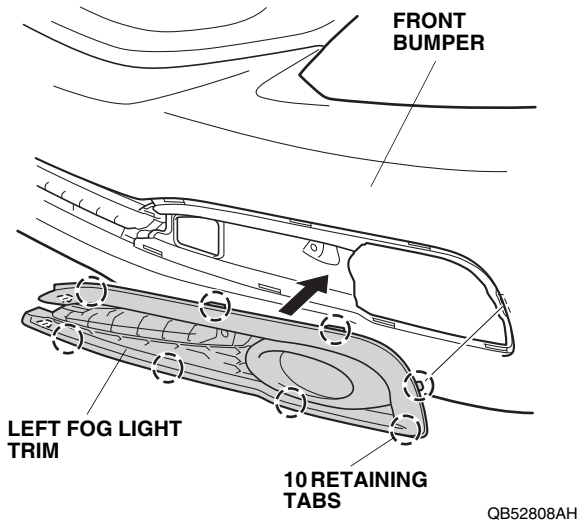
- Secure the left fog light to the left fog light trim with three self-tapping screws.



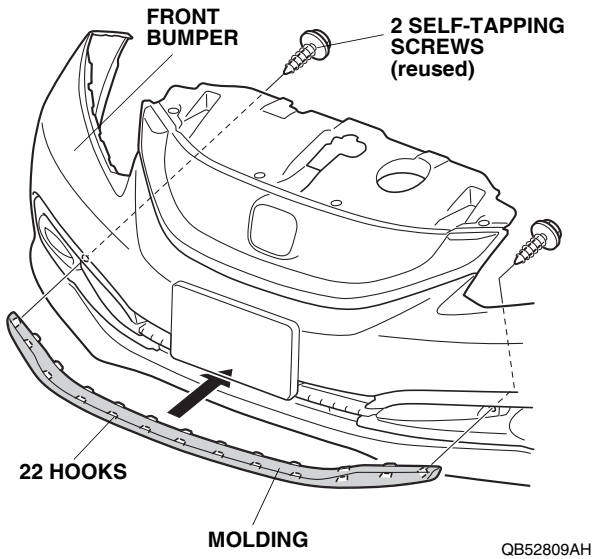
- Install the left fog light cover to the left fog light trim with four retaining tabs and one hook.



21. Install the left fog light trim to the front bumper with 10 retaining tabs.

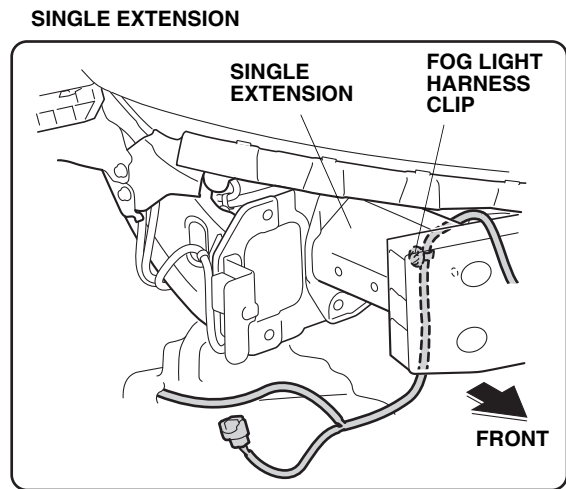
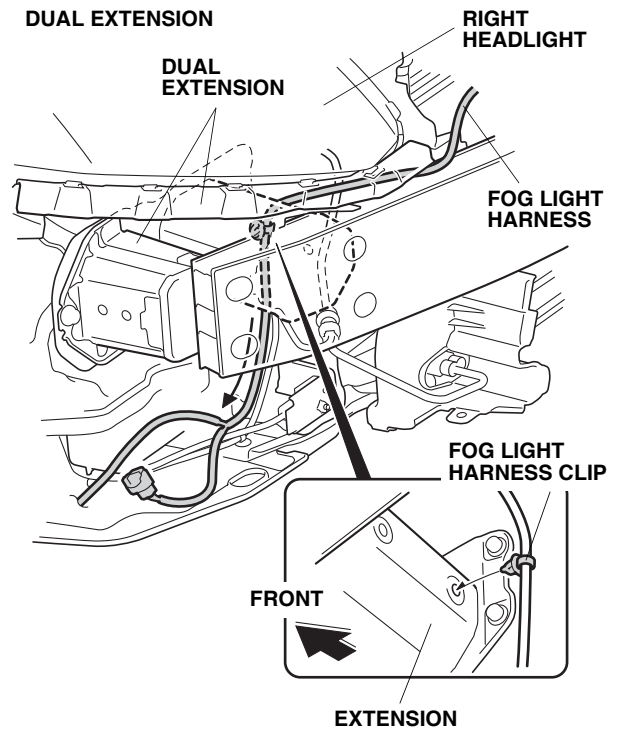


22. Repeat steps 19 through 21 to install the right fog light trim on the right side of the vehicle.
23. Reinstall the molding to the front bumper.



### Routing the Fog Light Harness

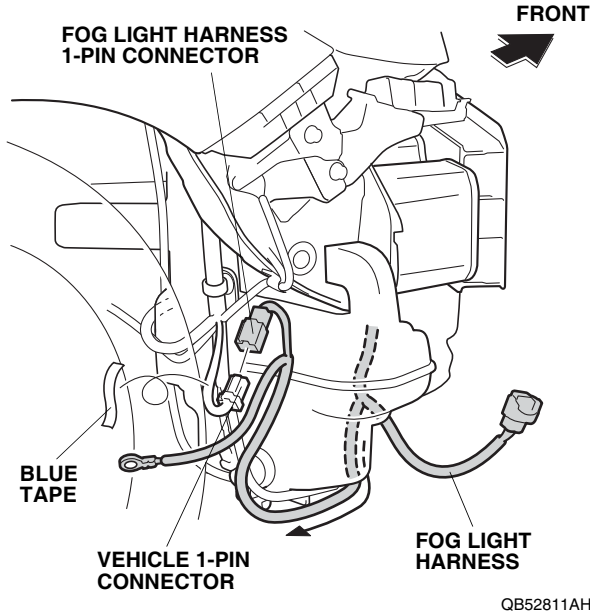
24. Get the fog light harness. Route the fog light harness under the right headlight and secure the clip to the hole in the extension as shown.



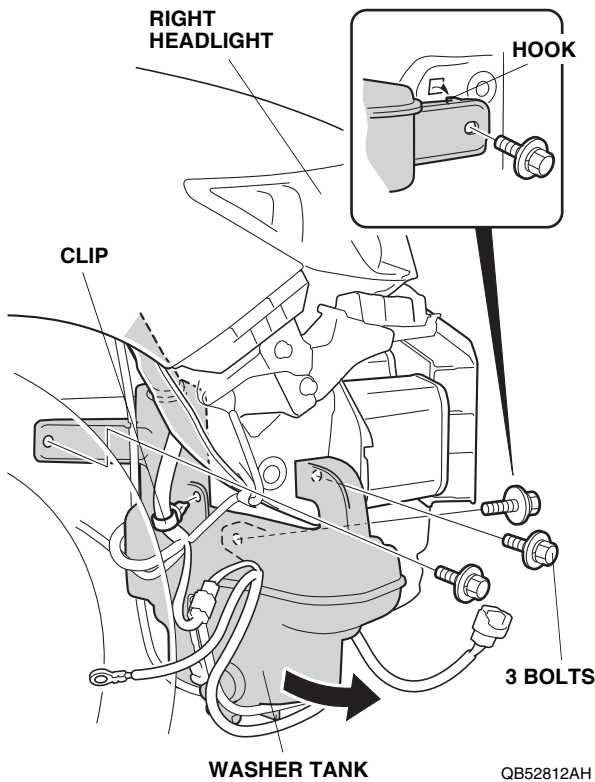
QB52810BH



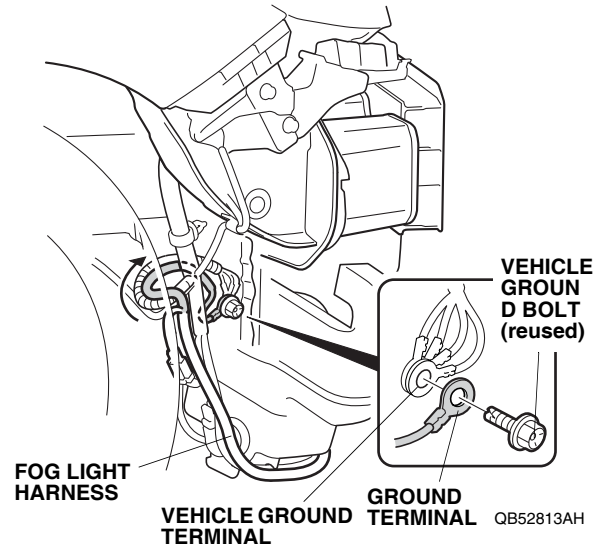
25. Locate the fog light harness 1-pin connector blue-taped to the vehicle harness. Remove the blue tape to free the vehicle 1-pin connector.



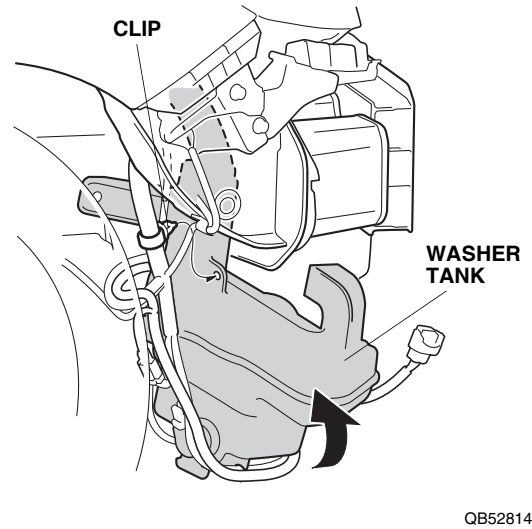
26. Plug the fog light harness 1-pin connector into the vehicle 1-pin connector as shown.
27. Remove three bolts and one clip from the washer tank. Move the washer tank out of the way in the direction shown.



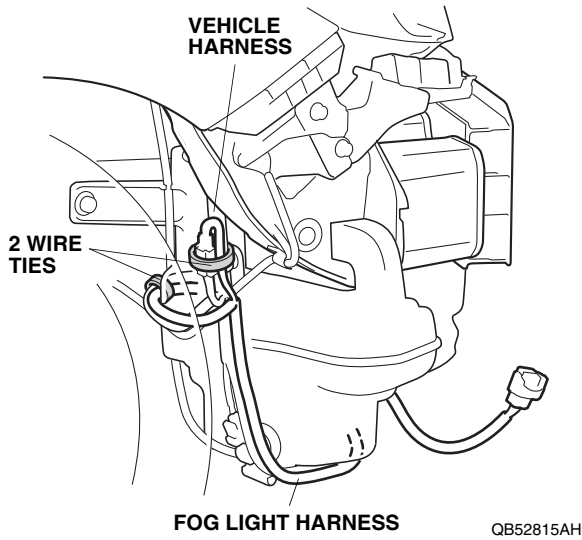
28. Remove the vehicle ground bolt. Attach the fog light harness ground terminal to the vehicle ground terminal, and reinstall the vehicle ground bolt.



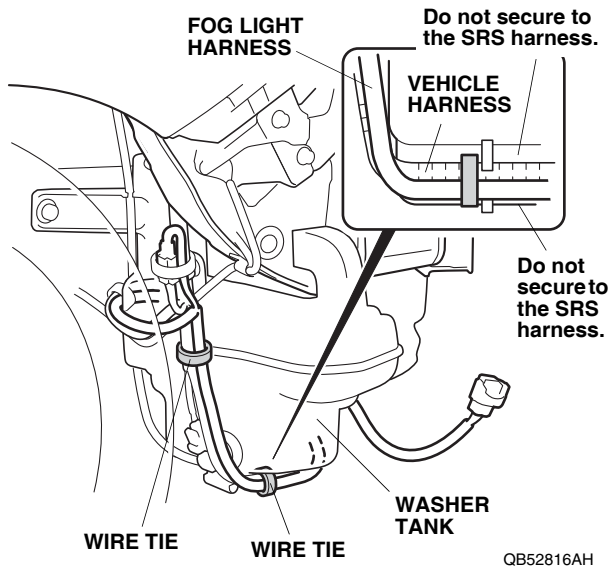
29. Reinstall the washer tank.



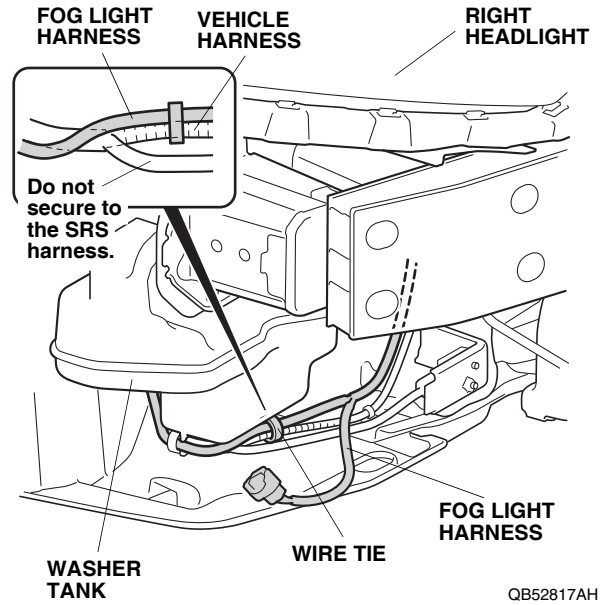
30. Secure the fog light harness to the vehicle harness with two wire ties. Do not secure the fog light harness to the washer tube.



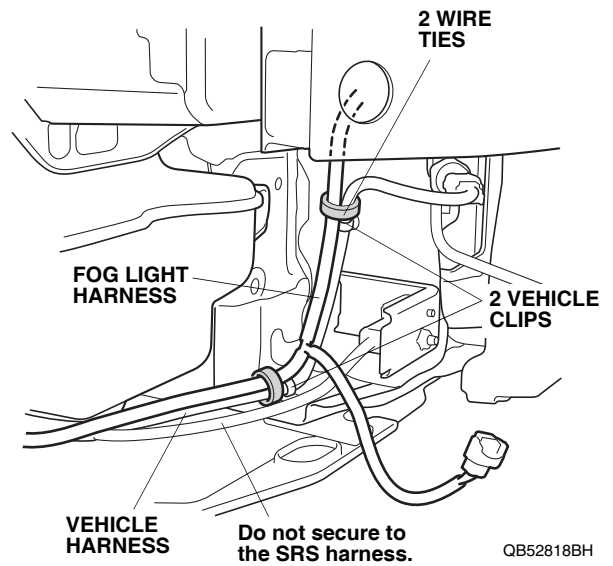
31. Secure the fog light harness to the vehicle harness with two wire ties as shown. Do not secure the fog light harness to the SRS harness.



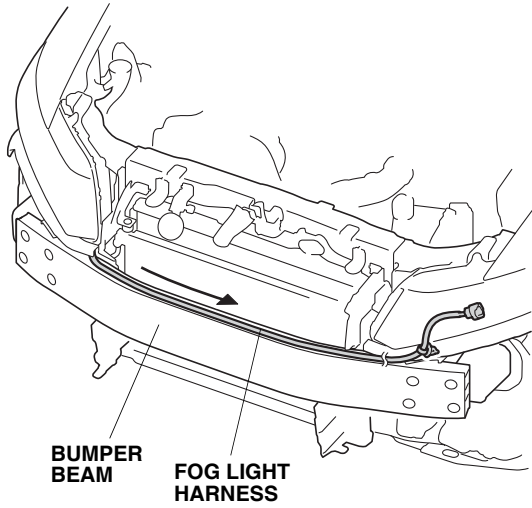
32. Under the washer tank, secure the fog light harness to the vehicle harness with one wire tie as shown. Do not secure the fog light harness to the SRS harness.



33. Locate the two vehicle clips. Secure the fog light harness to the vehicle harness with two wire ties as shown.

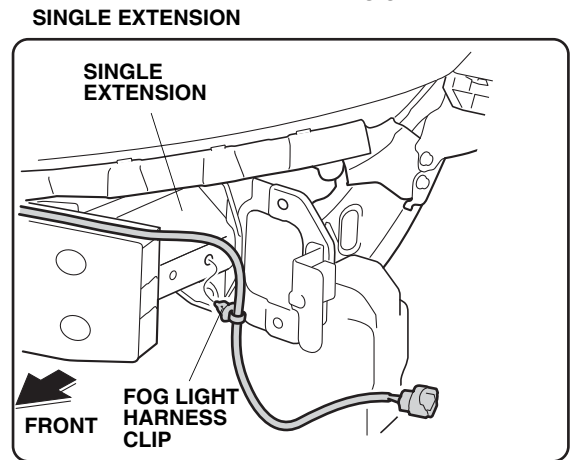
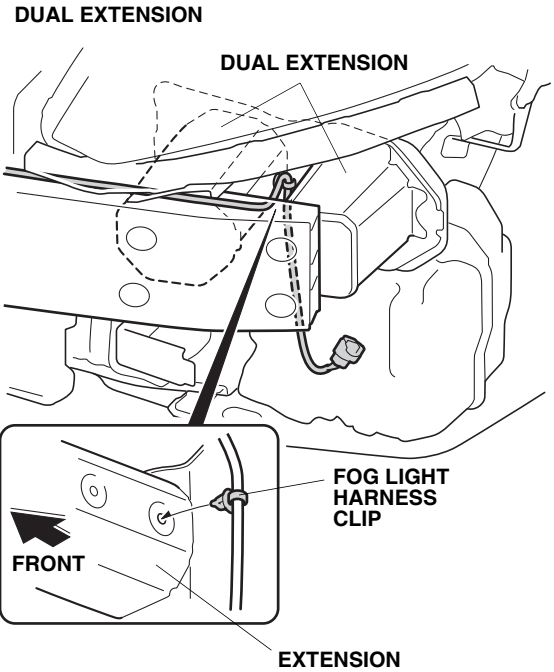


34. Route the fog light harness along the bumper beam as shown.



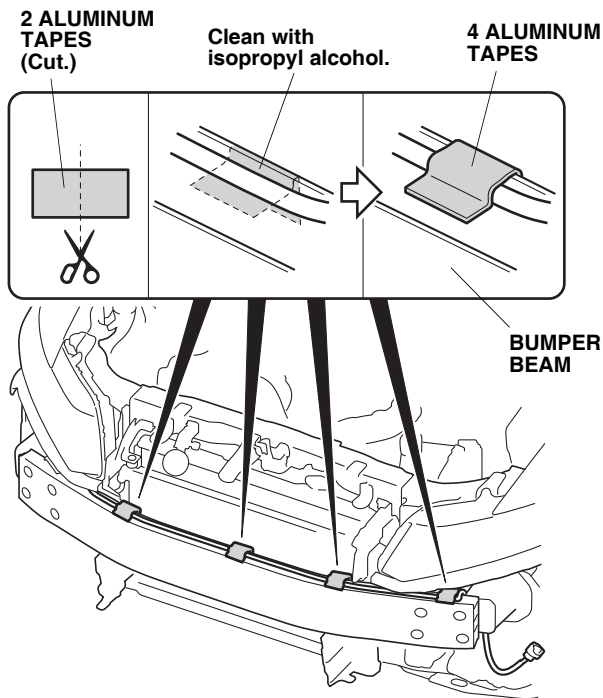
QB52819CH

35. Secure the clip to the hole in the extension as shown.



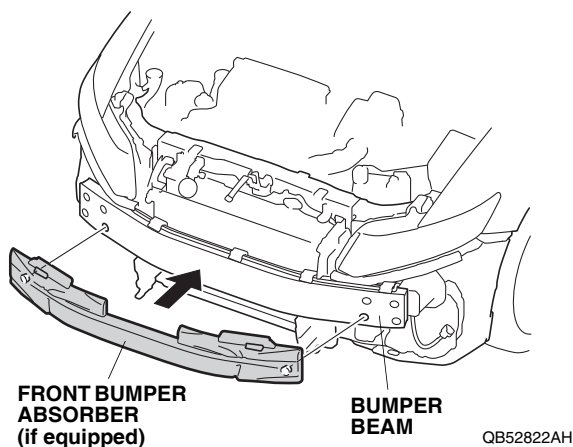
QB52820BH

36. Using isopropyl alcohol on a shop towel, clean the bumper beam where the aluminum tapes will attach.



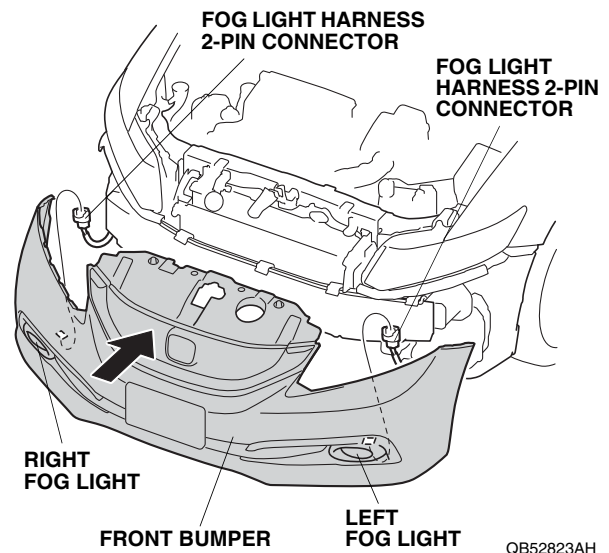
QB52821AH

37. Using scissors, cut two aluminum tapes in half.  
 38. Secure the fog light harness to the bumper beam with the four pieces of aluminum tape in the areas shown.  
 39. If removed, reinstall the front bumper absorber.



QB52822AH

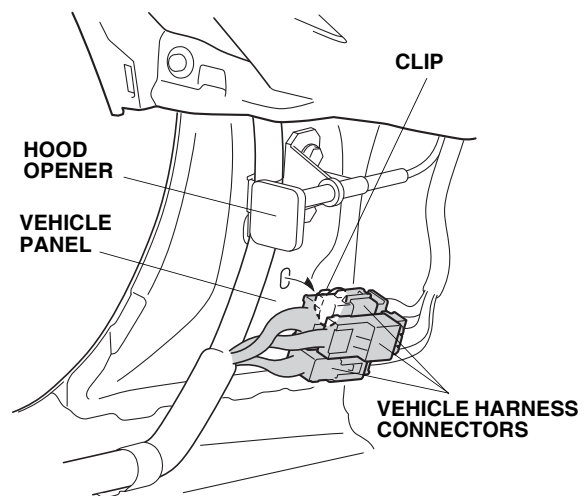
40. Plug the fog light harness 2-pin connector into each fog light, and with the help of an assistant, reinstall the front bumper.



QB52823AH

#### Routing the Switch Harness

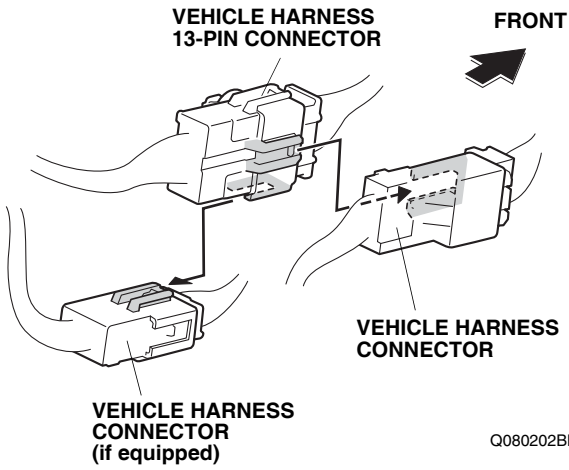
41. Remove the clip holding the vehicle harness connectors to the vehicle panel.



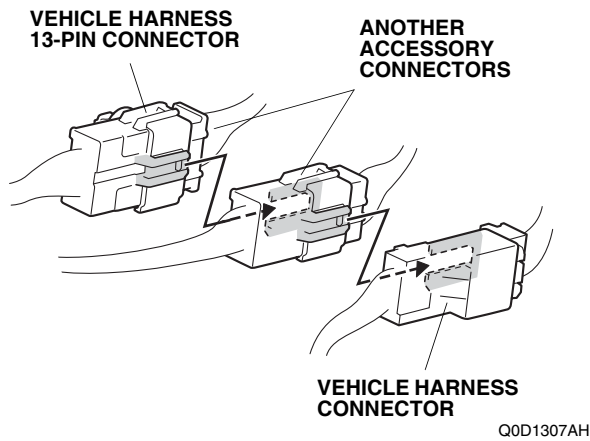
Q080201AH

42. Remove the vehicle harness connectors from the vehicle harness 13-pin connector.

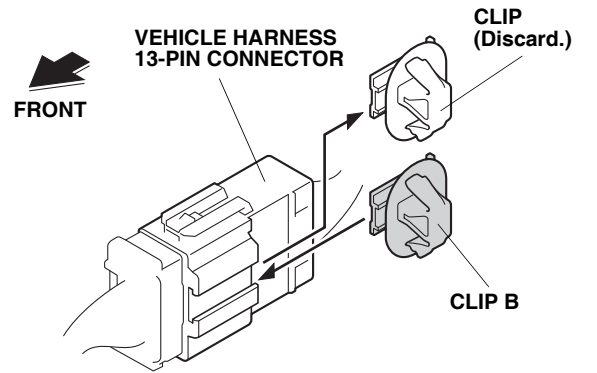
**Without another accessory connector**



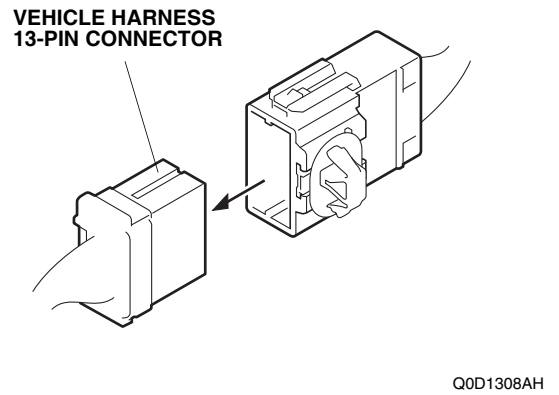
**With another accessory connector**



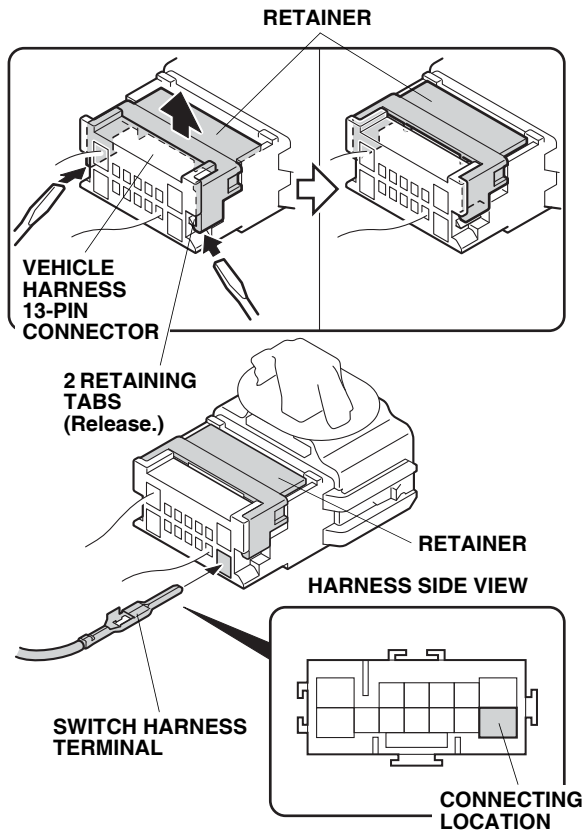
43. Remove the clip from the vehicle harness 13-pin connector, and install clip B on the vehicle harness 13-pin connector.



44. Unplug the vehicle harness 13-pin connector.



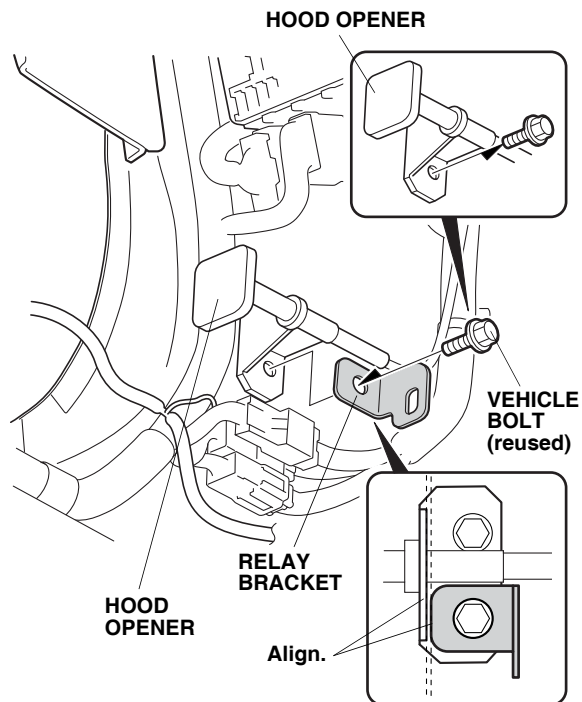
45. Release the retainer on the vehicle harness 13-pin connector. Insert the switch harness terminal into the vehicle harness 13-pin connector in the slot shown.



Q080204BH

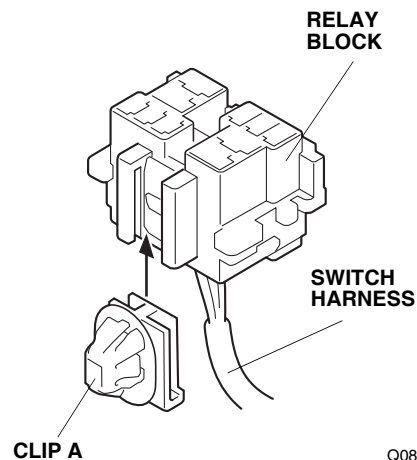
46. Reconnect the vehicle harness 13-pin connector and reinstall the 13-pin connector to its original position.

47. Remove the vehicle bolt from the hood opener.



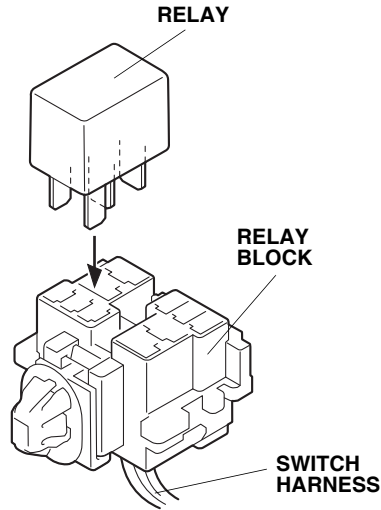
Q080205BH

48. Attach the relay bracket in the position shown, and reinstall the vehicle bolt.
49. Install clip A to the relay block of the switch harness.



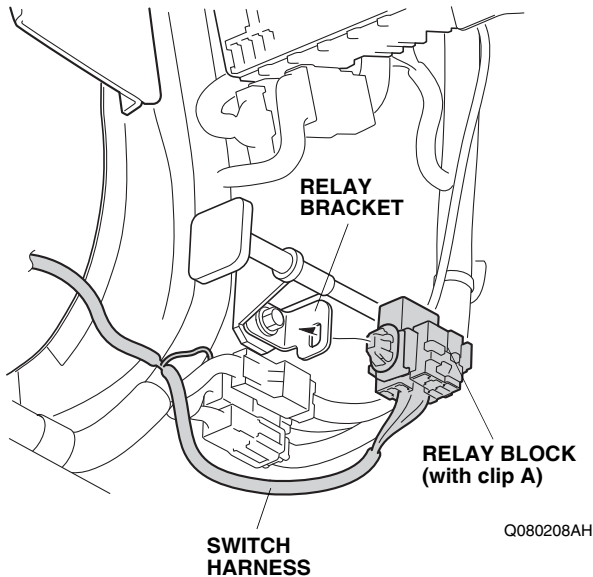
Q080206AH

50. Install the relay to the switch harness relay block.



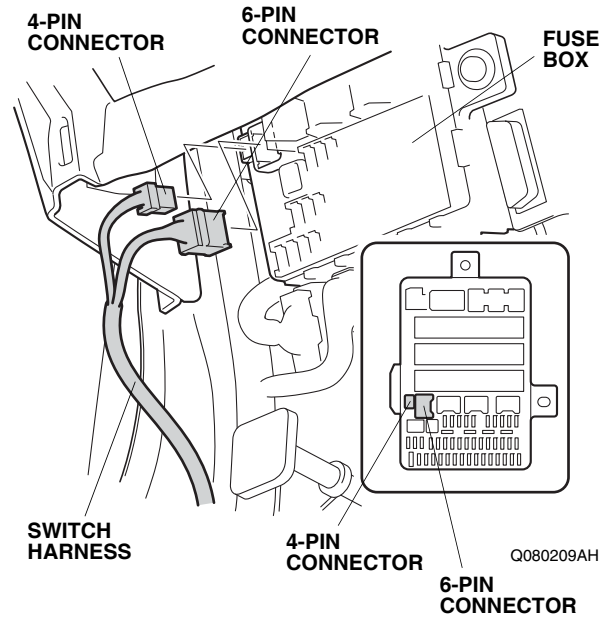
Q080207AH

51. Secure the switch harness relay block to the relay bracket.



Q080208AH

52. Plug the switch harness 4-pin connector and 6-pin connector into the fuse box. Go to step 55.

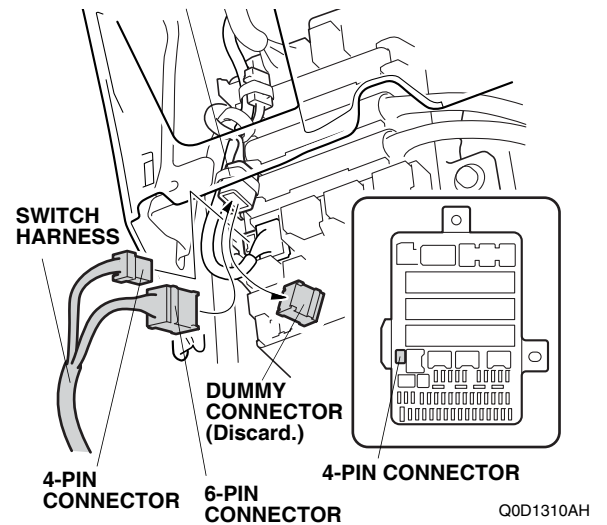


Q080209AH

**With Another Accessory Harness 6-pin connector**

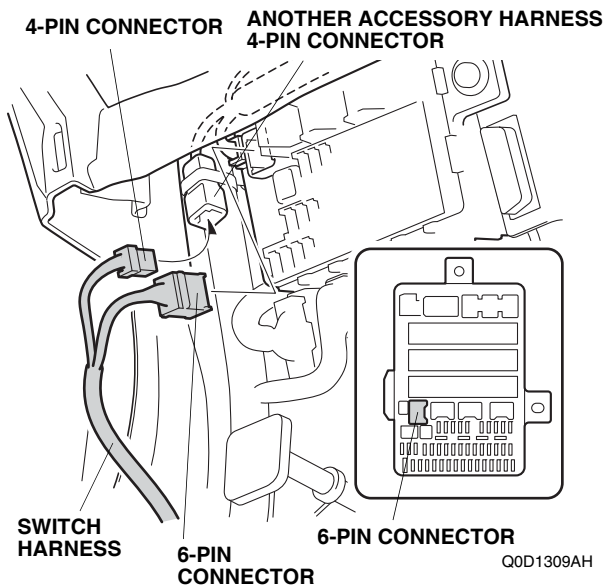
53. If the 6-pin connector is already used by another accessory, locate the 6-pin connector taped on another accessory harness. Remove the dummy connector from another accessory harness. Plug the switch harness 6-pin connector into another accessory harness 6-pin connector. Go to step 55.

**ANOTHER ACCESSORY HARNESS 6-PIN CONNECTOR**

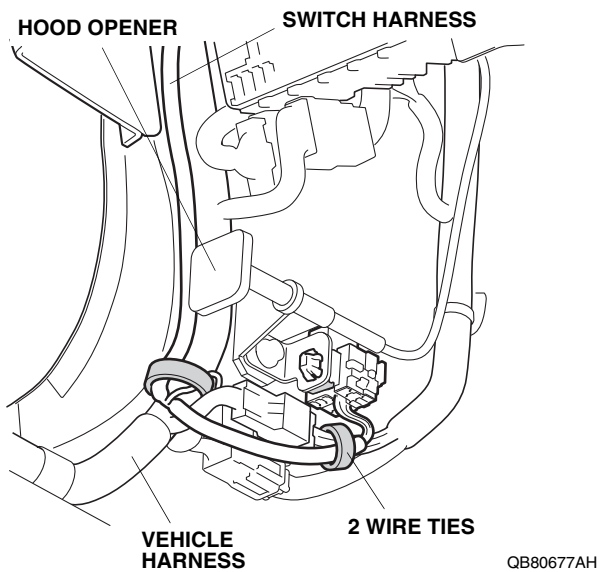


Q0D1310AH

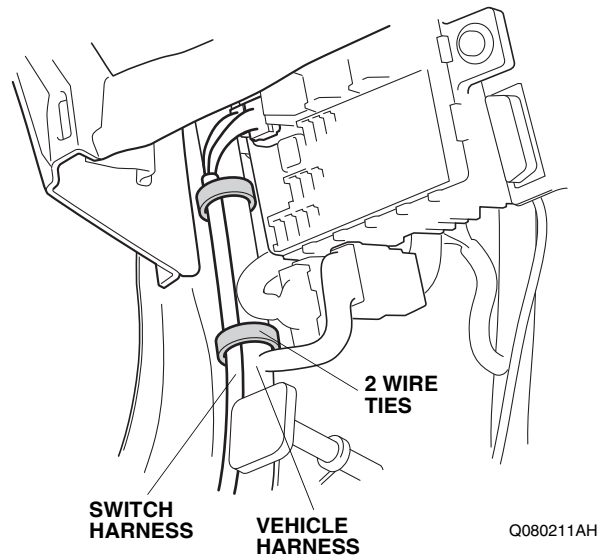
54. If the 4-pin connector is already used by another accessory, locate the 4-pin connector taped on another accessory harness. Plug the switch harness 4-pin connector into another accessory harness 4-pin connector.



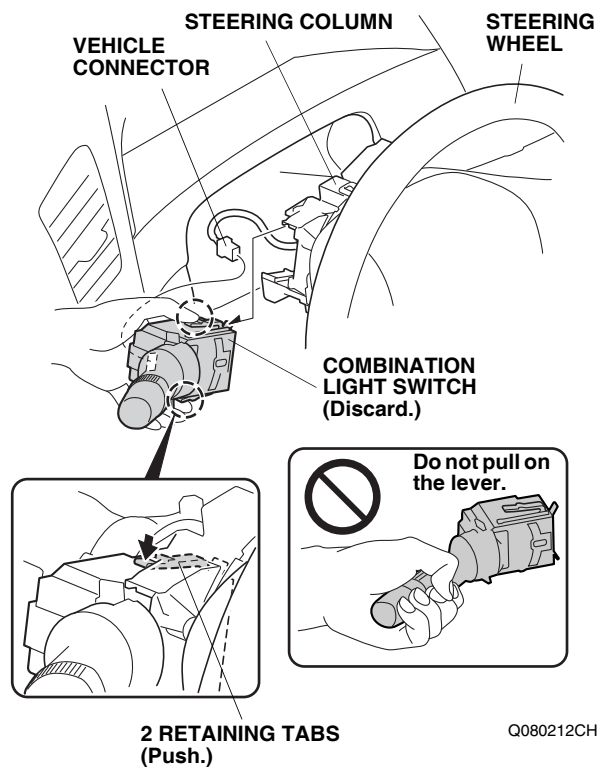
55. Secure the switch harness to the vehicle harness with two wire ties.



56. Secure the switch harness to the vehicle harness with two wire ties.



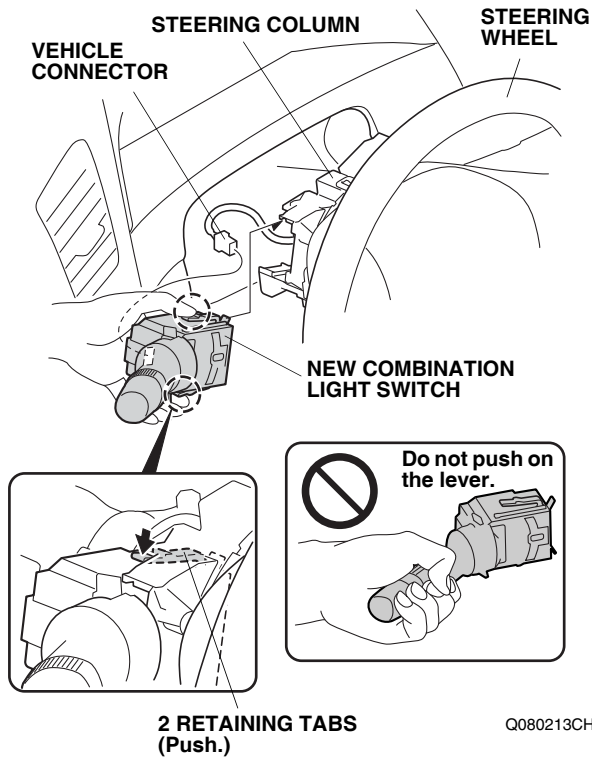
57. Unplug the vehicle connector from the combination light switch.



58. While pushing the two retaining tabs, slide the combination light switch out and remove it from the steering column.  
NOTE: Do not pull on the lever when removing the switch.



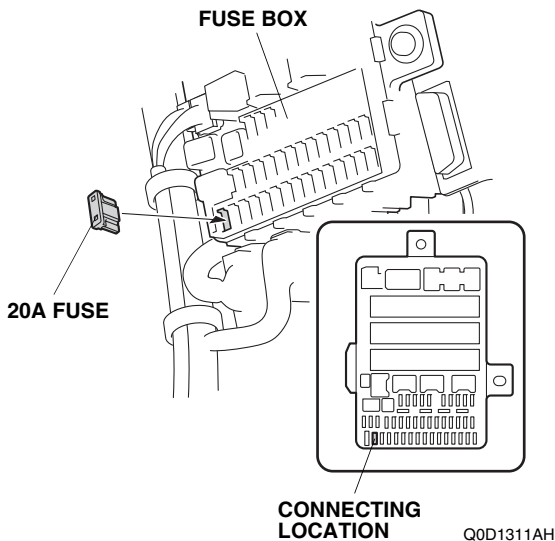
59. Install the new combination light switch to the steering column.  
**NOTE:** Do not push on the lever when installing the switch.



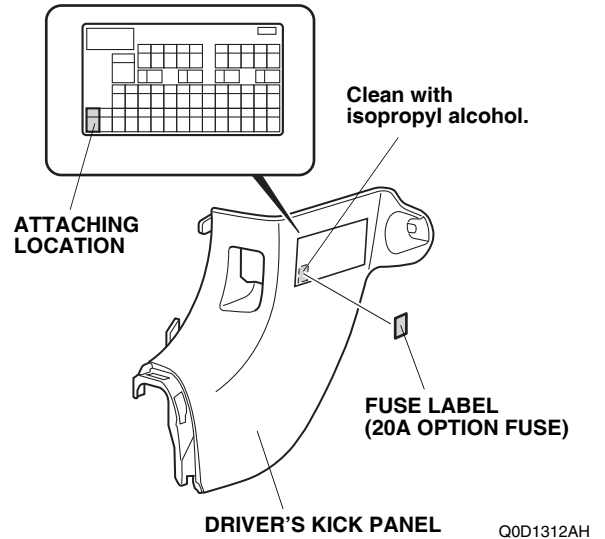
60. Plug the vehicle connector to the new combination light switch.

**If a fuse is already installed in the fuse box: go to step 64, otherwise continue with step 61.**

61. Plug the 20A fuse into the fuse box.




62. Using isopropyl alcohol on a shop towel, clean the driver's kick panel where the fuse label will attach.

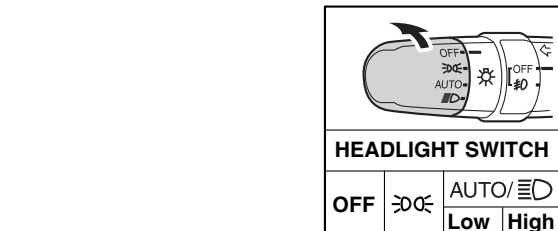


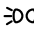
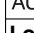
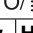
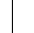
63. Attach the fuse label to the driver's kick panel.
64. Check that all wire harnesses are routed properly and all connectors are plugged in.
65. Reinstall all removed parts.
66. Reconnect the negative cable to the battery and check operation of all lights and other electrical accessories.
67. Press and hold the radio power button for two seconds to restore radio and navi (if equipped) system functions.
68. Reset the clock.

## USE AND CARE

### How to Operate the Fog Lights

- Turn the headlight switch to the “D” position (headlights on low beam).
- Turn the fog light switch on (indicator is on).



		HEADLIGHT SWITCH			
		OFF		AUTO/ 	
			Low	High	
FOG LIGHT SWITCH	OFF	-	-	-	-
		-	-	ON	-

The auto light model is shown.

Q0D2101AH

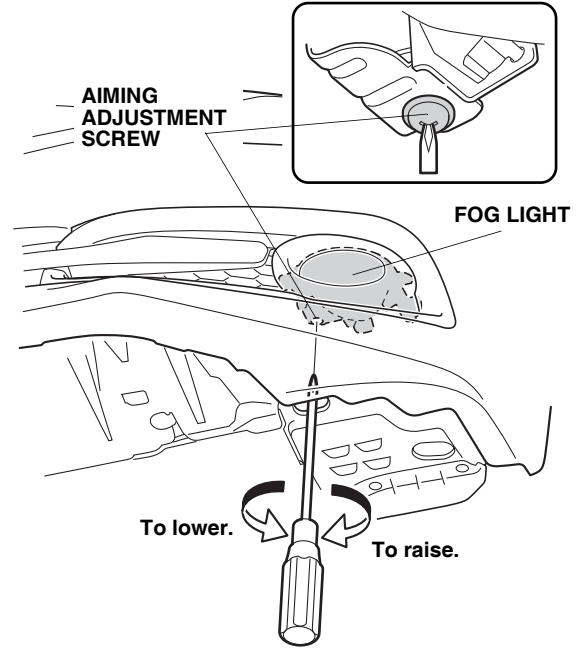
NOTE: The fog light lenses can cloud when the outside temperature is cold; this is normal and should go away in warm weather.

- If the fog lights do not turn on, check the fuse and all the connectors, including the ground cable.

### Fog Light Aiming Adjustment

#### 69. Adjust the fog light:

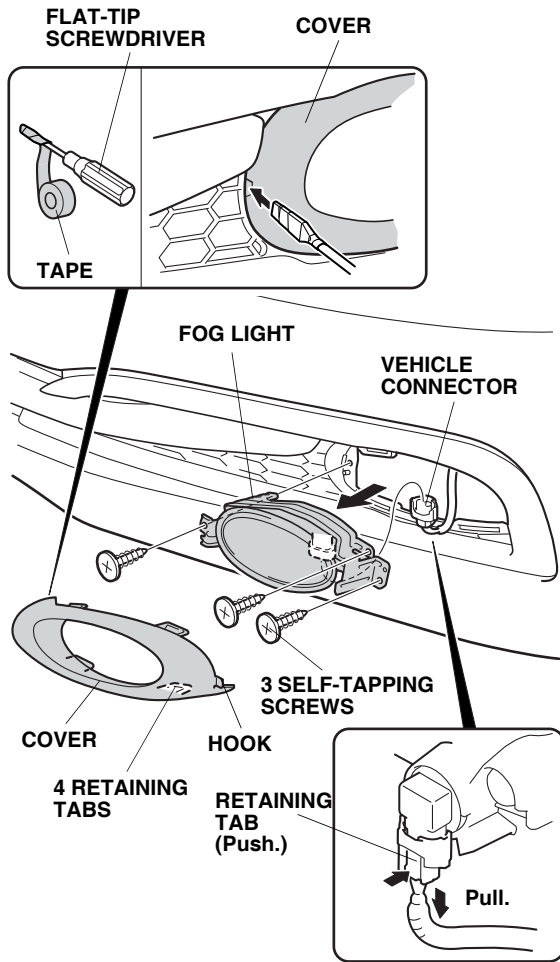
- Adjust the aim according to your local laws and regulations.
- To adjust, turn the adjustment screw in or out until the correct aim is obtained.



QB52824AH

## BULB REPLACEMENT

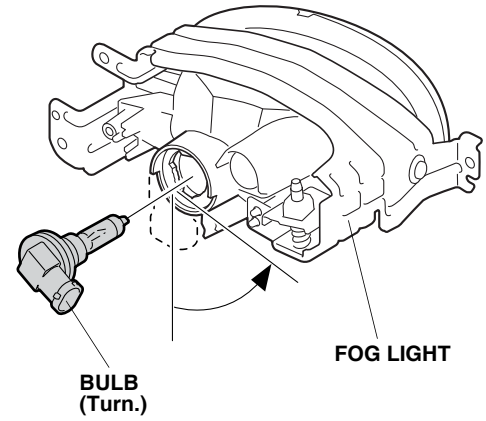
1. Remove the cover (four retaining tabs and one hook).



QB52825AH

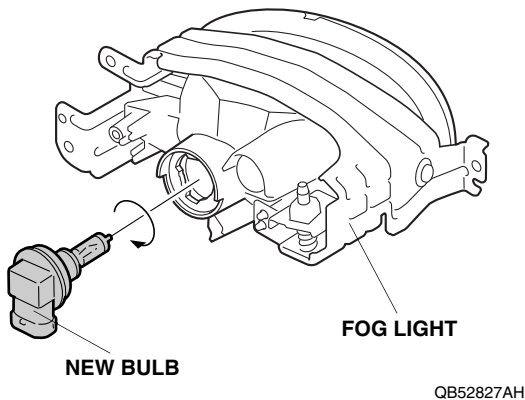
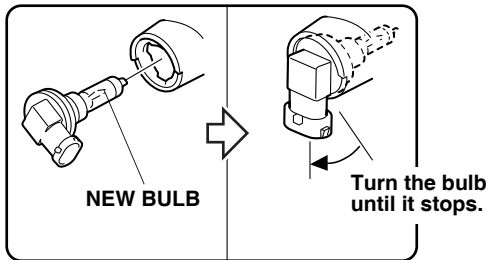
2. Remove the fog light (three self-tapping screws and unplug the vehicle connector).

3. Remove the bulb from the fog light as shown.

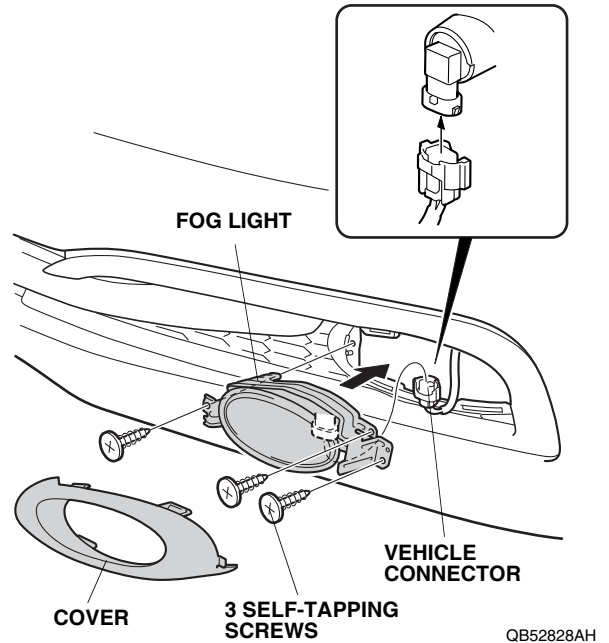


QB52826AH

4. Install the new bulb to the fog light.
  - Use only a genuine Honda halogen light bulb of specified wattage.  
Rating: 12V 55W H11 Halogen Light Bulb  
P/N 33165-S5A-0030
  - Do not touch the bulb. Oily or greasy substances on the bulb can shorten its service life due to the heat produced when the bulb is turned on. If the bulb is accidentally touched, wipe it clean with a soft cloth that has been dampened with a denatured alcohol or a mild detergent solution.
  - When installing the new bulb, align the cutout on the fog light with the tab on the new bulb and turn the new bulb in completely. If not properly aligned, the fog light may annoy the oncoming driver's view.



5. Reinstall the fog light and cover.
  - Check that the wire harness is not pinched.
  - Be sure to tighten the self-tapping screws securely.



6. Check the operation of the fog light; re-adjust the aim if necessary.