



# INSTALLATION INSTRUCTIONS

Accessory  
**FULL NOSE MASK**  
P/N 08P35-T0A-100

Application  
**2013 CR-V**

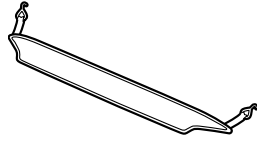
Publications No.  
**All 13141**

Issue Date  
**AUG 2012**

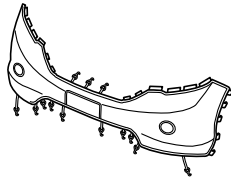
Put this information in the glove box with the vehicle owner's manual.

## PARTS LIST

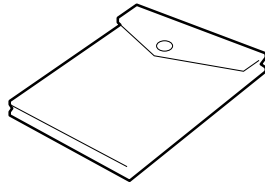
Mask  
(hood section)



Mask  
(bumper section)



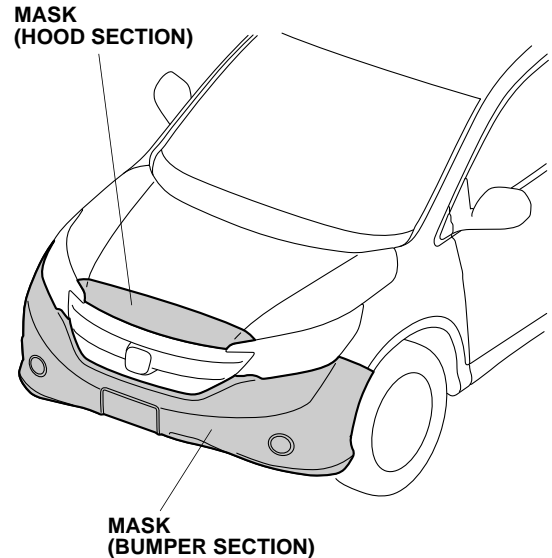
Storage bag



## TOOLS AND SUPPLIES REQUIRED

Scissors

## Illustration of the Full Nose Mask Installed on the Vehicle



## INSTALLATION

**Customer Information:** The information in this installation instruction is intended for use only by skilled technicians who have the proper tools, equipment, and training to correctly and safely add equipment to your vehicle. These procedures should not be attempted by "do-it-yourselfers."

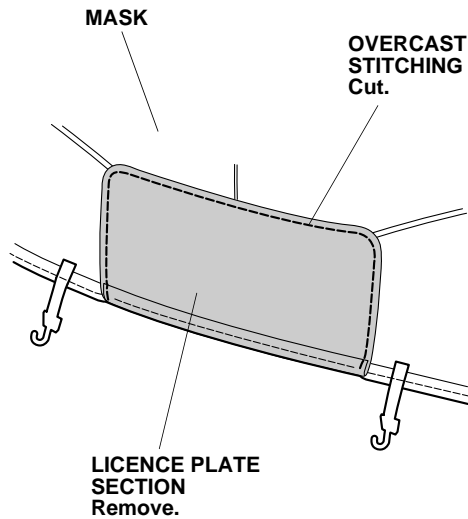
### NOTE:

- Make sure the vehicle and nose mask are clean and completely dry before installation. If moisture under the mask is allowed to dry, it may cloud the paint. If the mask gets wet, remove and allow it to air-dry completely.
- Make sure any repainted surfaces are cured.
- Make sure the hood and nose of the vehicle have been waxed with a high-quality paste wax.
- Make sure to install the nose mask securely. If the nose mask starts to flap or comes loose while driving, safely pull to the side of the road, stop the vehicle, and secure or remove the nose mask.

## Displaying the License Plate

If your state law requires the display of both license plates, cut out the piece of the bumper section that covers the front license plate:

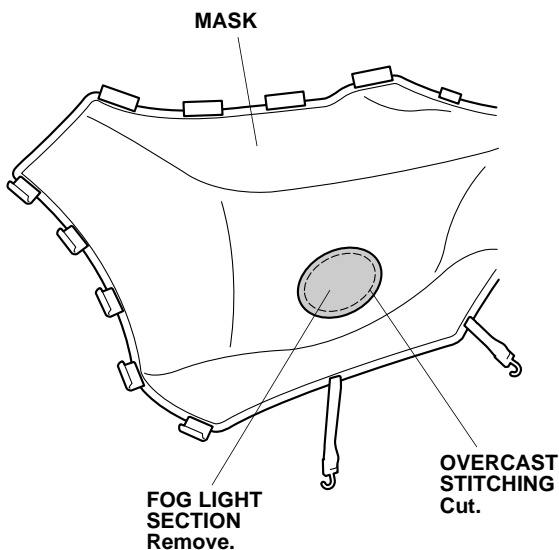
- Face the inside of the mask toward you.
- Carefully cut out the overcast stitching with scissors. Remove the stitching and license plate section.



## With Fog Lights

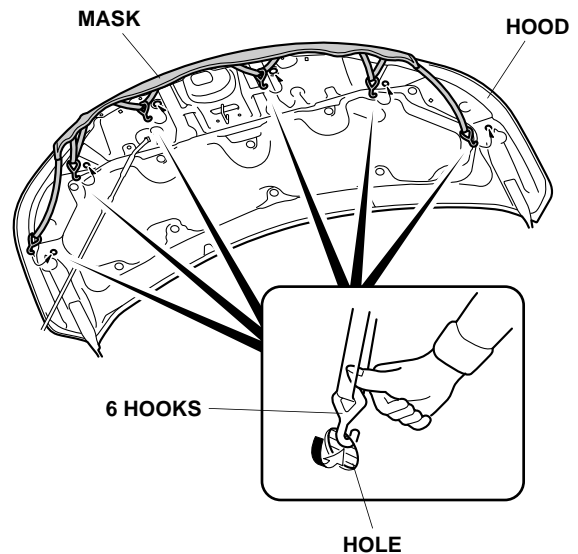
If the vehicle is equipped with the fog lights, cut out the piece of the bumper section that covers the fog lights:

- Face the inside of the mask toward you.
- Carefully cut out the overcast stitching with scissors. Remove the stitching and fog light section.



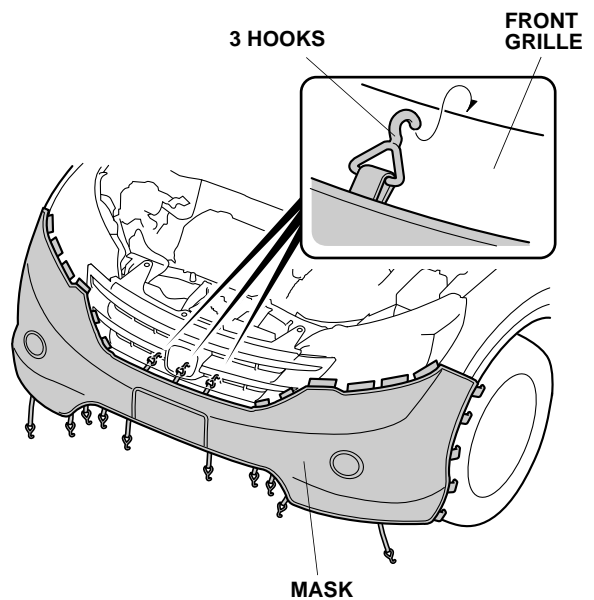
## Installing the Hood Section

1. Open the hood. Fit the corners of the mask (hood section) around the hood. Adjust the mask so that it fits smoothly over the edges. Attach six hooks to the hood. When removing or installing the hooks, insert your finger or thumb into the loop of each hook. Pulling the hooks with excessive force can break the hook strap.

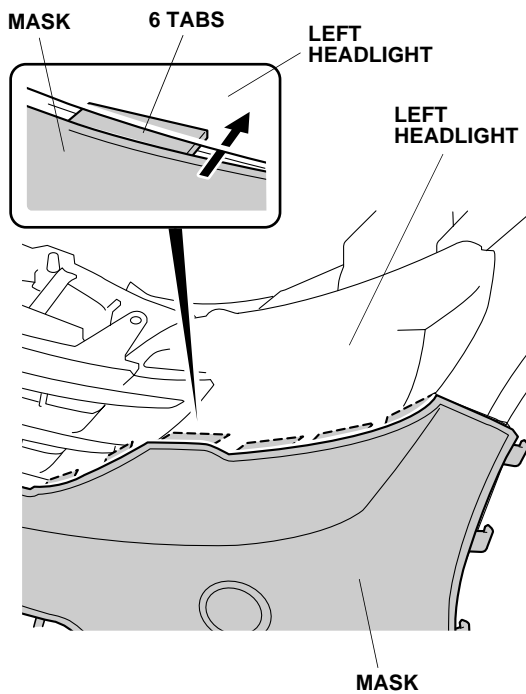


## Installing the Bumper Section

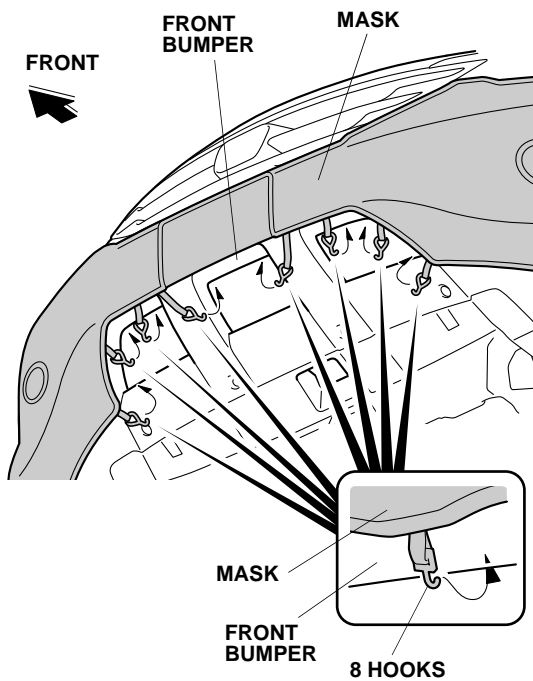
2. Attach the three top hooks to the bottom inside edge of the front grille.



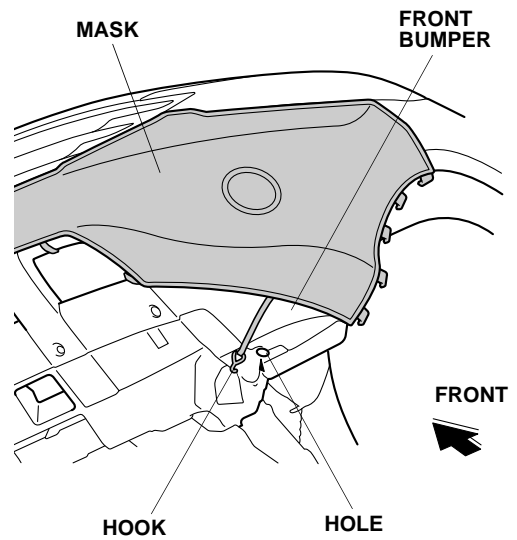
- On each side, insert six tabs between the headlight and the grille.



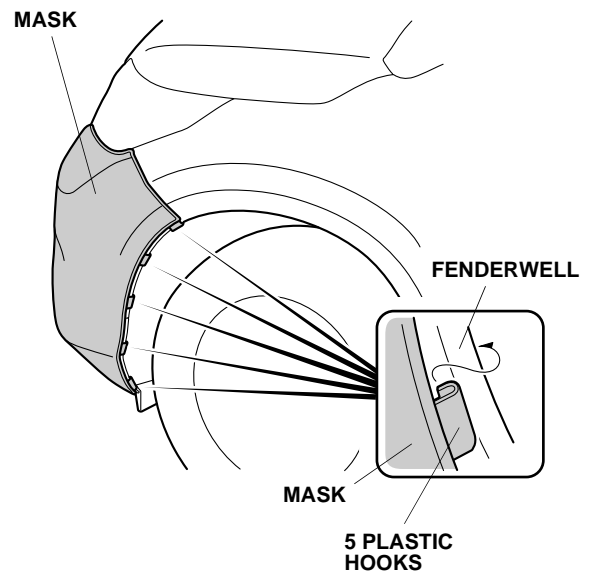
- Attach eight hooks to the lower edge of the front bumper.



- On each side, attach one hook to the hole in the front bumper.



- On each side, attach the five plastic hooks to the fenderwell.



### CLEANING THE NOSE MASK

Use a sponge or cloth and a solution of mild liquid dishwashing soap and water to clean the vinyl and the flannel backing. Rinse the mask completely with clean water, and hang it to dry out of direct sunlight. Make sure the mask is completely dry before you reinstall it.