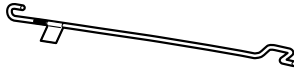


**PARTS LIST**

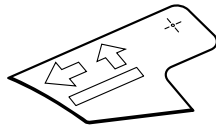
Trunk spoiler



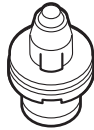
Right trunk spring (marked red)



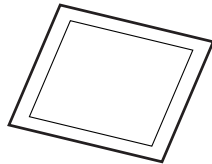
Template



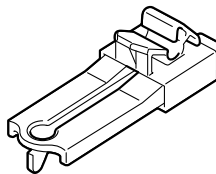
2 Clips



Alcohol swab



Slider



2 Holders

**TOOLS AND SUPPLIES REQUIRED**

Drill

Eye protection (face shield, safety goggles, etc.)

Center punch

File

Touch-up paint

Felt-tip pen

Tape

Masking tape

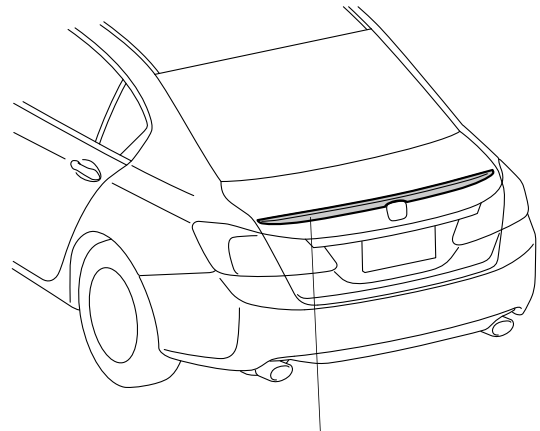
Heavy gloves

Trunk Spring Tool (P/N 07AAF-T2AA200)

*The following tools are available through the Honda Tool and Equipment Program. On the iN, click on: Service > Service Bay > Tool and Equipment Program, then enter the number under "Search". Or, call 888-424-6857.*

- Rubber Roller (T/N MHLE540)

- Rotabroach Hole Cutting Kit (T/N BLR11201SO)

**Illustration of the Trunk Spoiler on the Vehicle****TRUNK SPOILER**

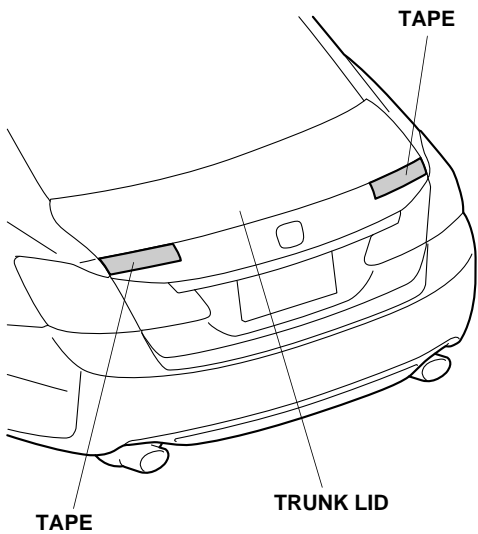
QB20204AX

## INSTALLATION

**Customer Information:** The information in this installation instruction is intended for use only by skilled technicians who have the proper tools, equipment, and training to correctly and safely add equipment to your vehicle. These procedures should not be attempted by “do-it-yourselfers.”

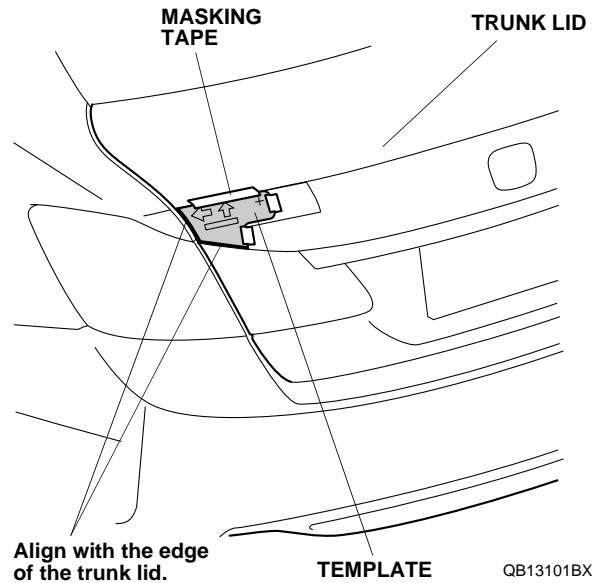
### NOTE:

- Be careful not to damage the paint finish.
  - This kit should be installed only if the ambient air temperature is 15°C (60°F) or above.
  - Clean and wax the areas to be covered with a high-quality paste wax.
  - To allow the adhesive to cure, do not wash the vehicle for 24 hours. Please advise the customer.
1. To prevent the metal shavings from falling into the trunk floor area, attach tape to the trunk lid as shown.

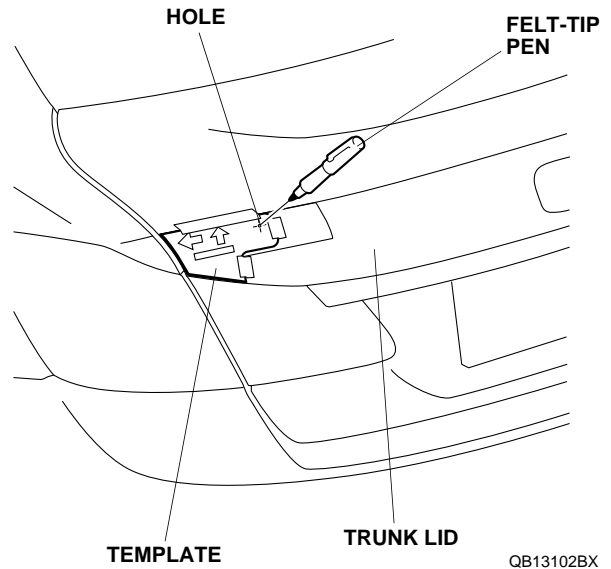


QB71201AY

2. Place the template on the trunk, and align it with the left edge of the trunk lid. Tape the template to the trunk lid with masking tape.

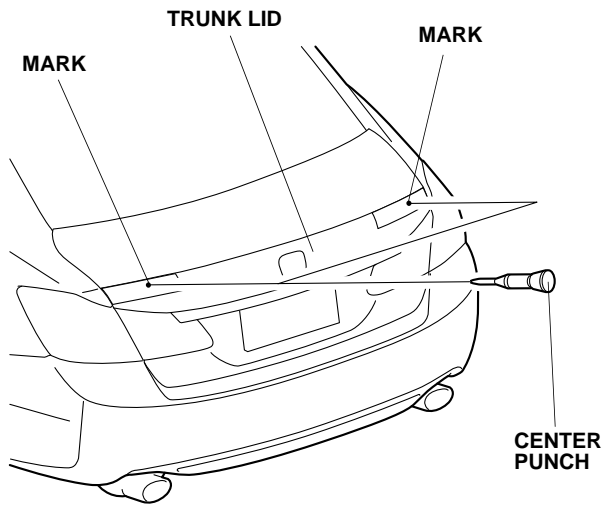


3. Using a felt-tip pen, mark the trunk lid through the hole in template. Remove the template.



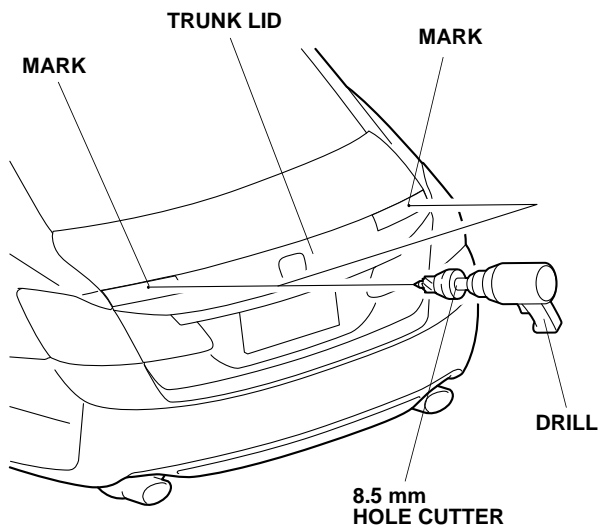
4. Turn the template over, and mark the right side of the trunk lid the same way.

- Use a center punch to punch the centers of the two marks. Set the center punch to the minimum power setting.



QB13103BX

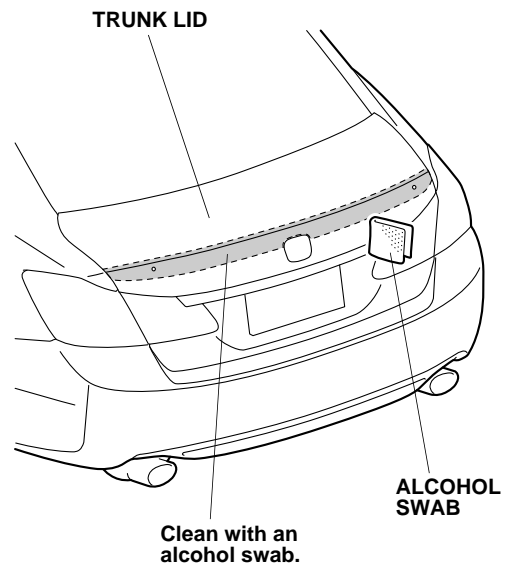
- While wearing eye protection, drill the two marks with a 8.5 mm hole cutter.



QB13104CX

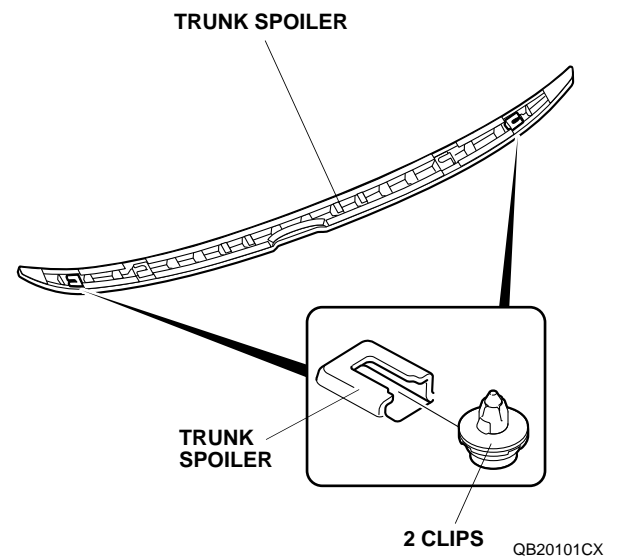
- Remove the tape.
- Apply touch-up paint to the edges of the holes. Allow the touch-up paint to dry before proceeding to the next step.

- Using an alcohol swab, clean the trunk lid where the trunk spoiler will attach.



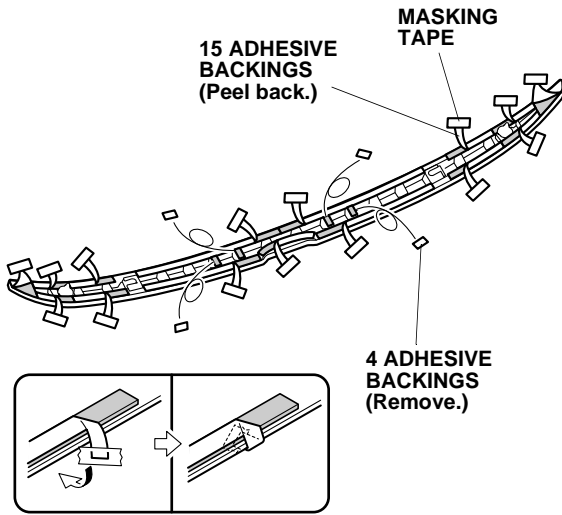
QB13105BX

- Install the two clips to the trunk spoiler.



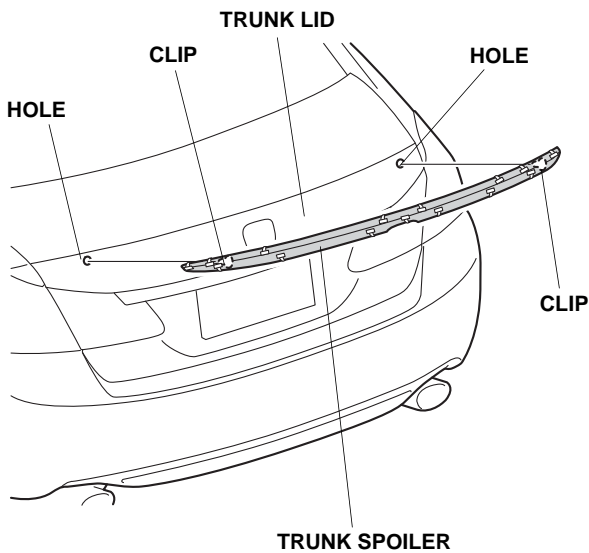
QB20101CX

- Peel back the adhesive backing from the fifteen adhesive strips, and tape the ends to the front surface of the trunk spoiler with masking tape. Remove the other adhesive backings.

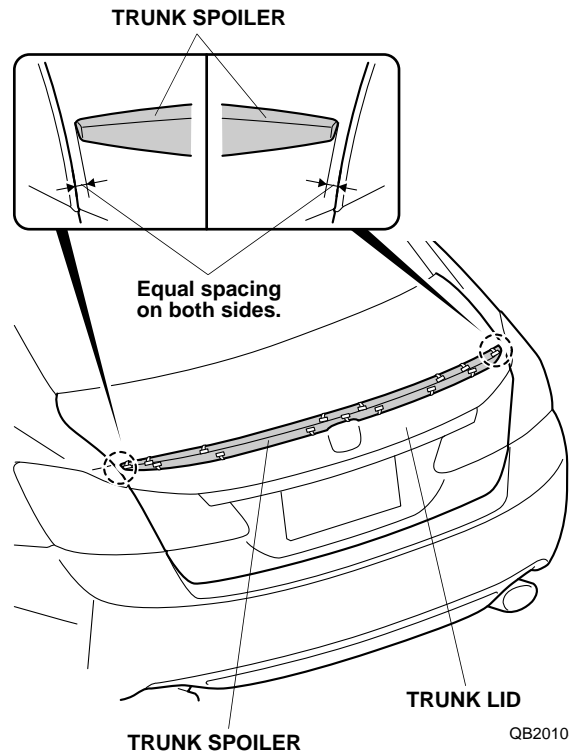


QB20102DX

- Install the trunk spoiler onto the trunk lid.

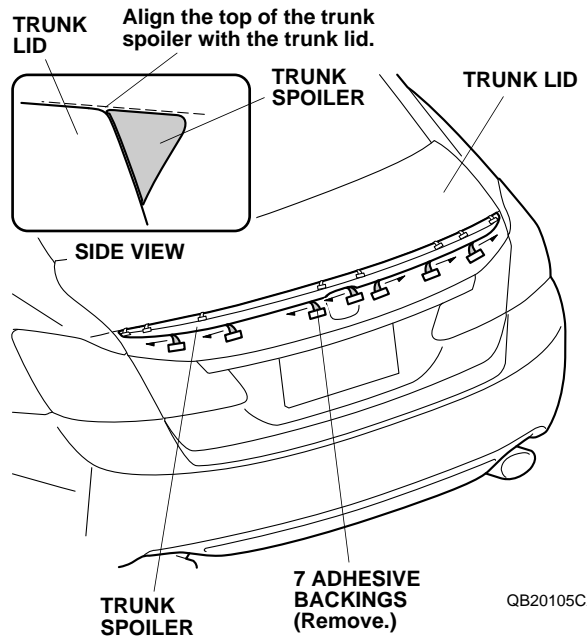


- Adjust the position of the trunk spoiler so there is equal spacing on both sides.



QB20104BX

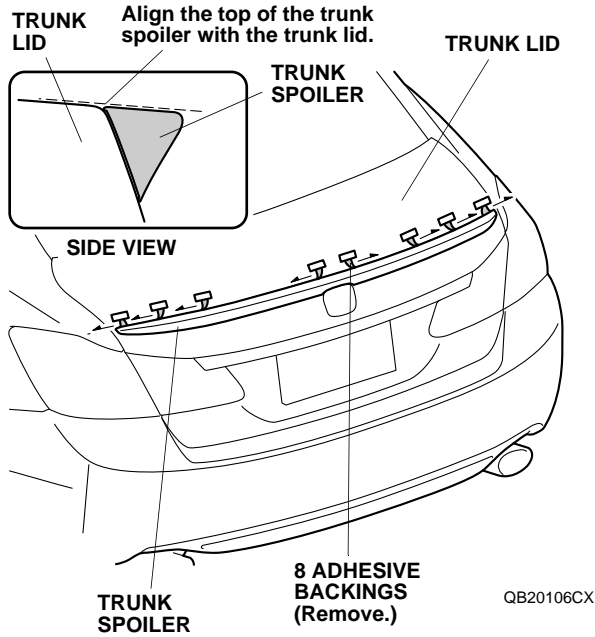
- While applying light pressure against the trunk spoiler, carefully remove the adhesive backings shown.



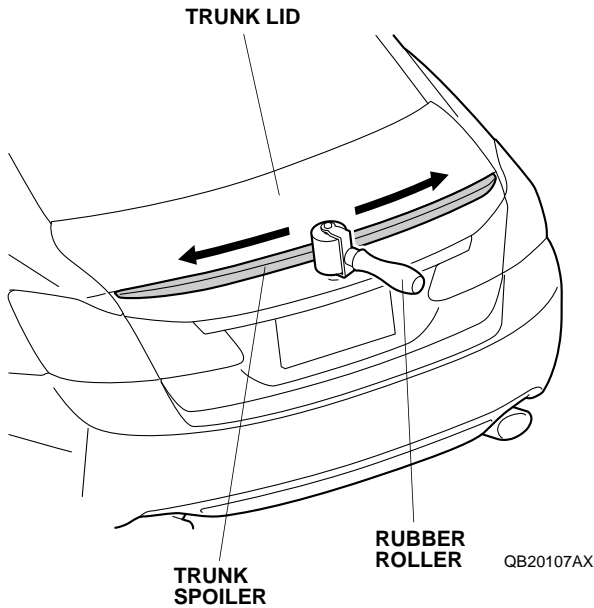
QB20105CX

- Firmly press the trunk spoiler against the trunk lid.

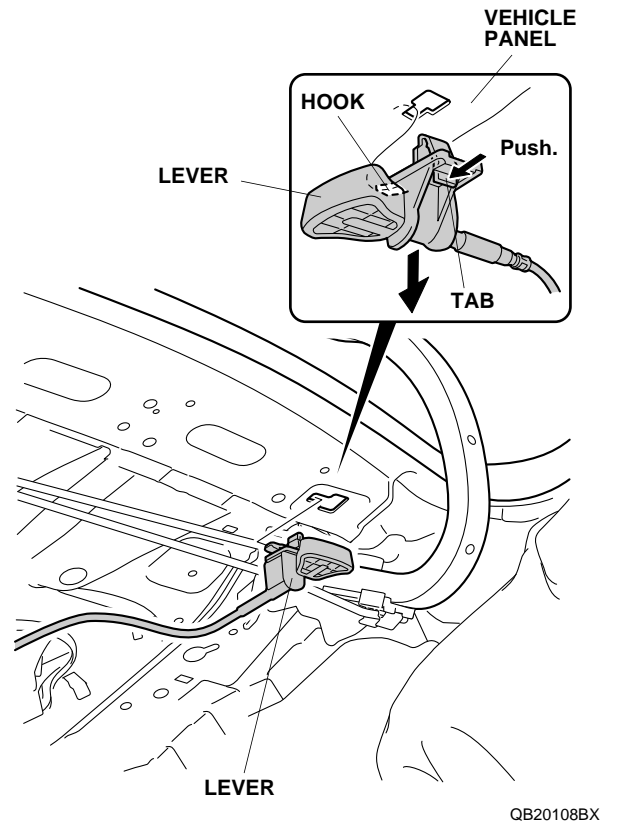
16. While applying light pressure against the trunk spoiler, carefully remove the adhesive backings shown.



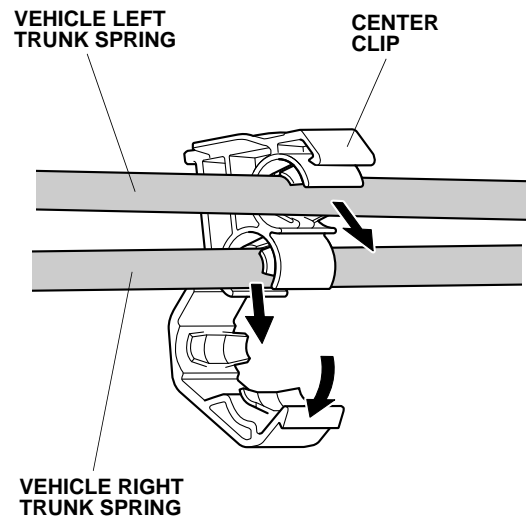
17. Firmly press the trunk spoiler against the trunk lid.
18. Using a rubber roller, apply firm pressure, especially at the ends, to set the adhesive.



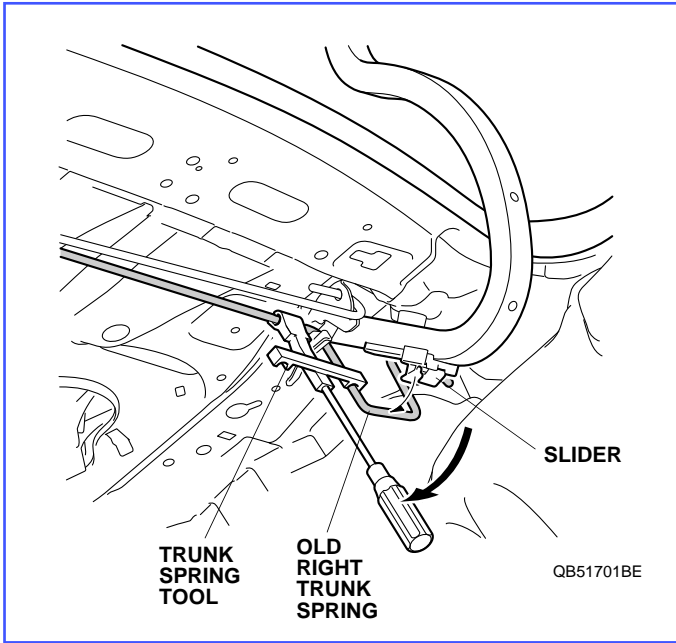
19. Open the trunk lid. Push the tab, then pull down the lever to release the hook.



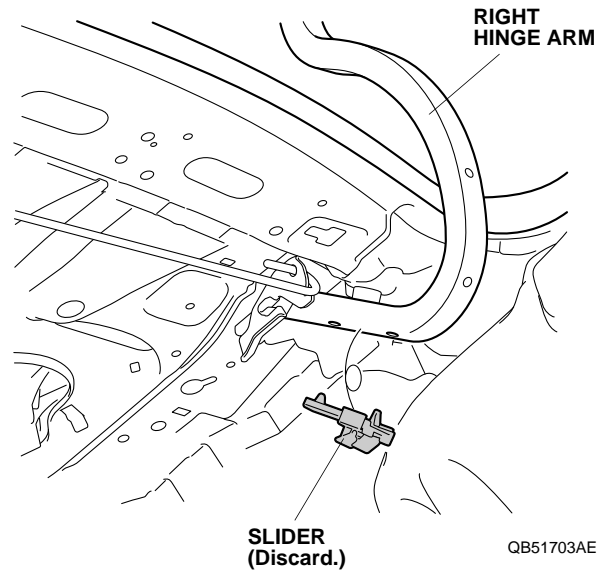
20. Remove the trunk springs from the center clip.



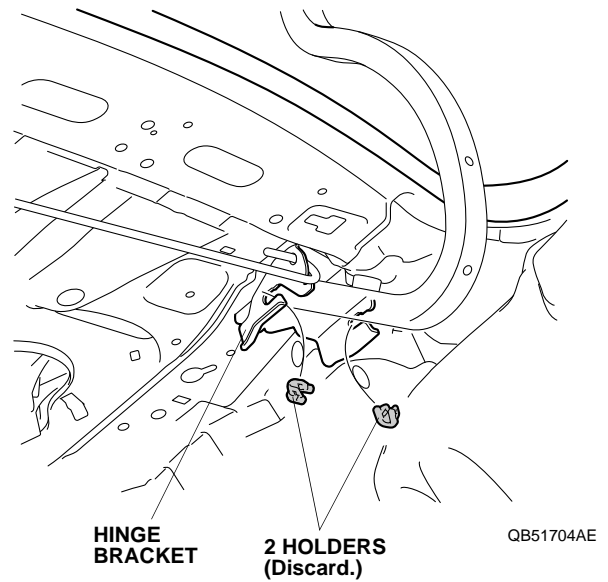
21. With an assistant holding the trunk lid open, remove the old right trunk spring from the slider using the trunk spring tool. Wear gloves to protect your hands, and push the trunk spring tool slowly and carefully.



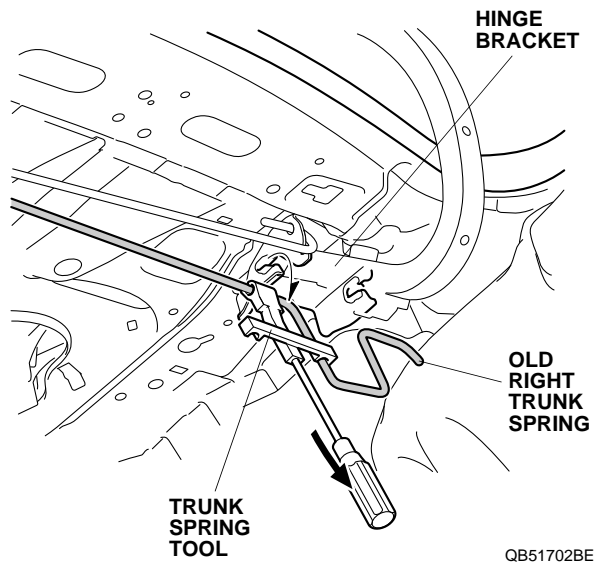
22. Remove and discard the slider from the right hinge arm.



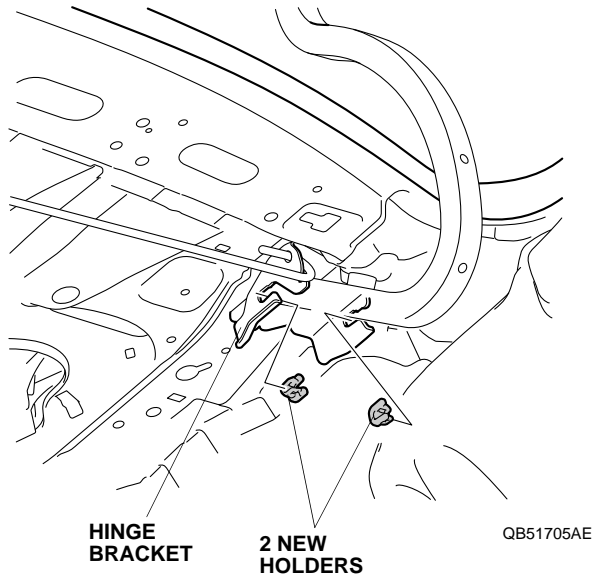
23. Remove and discard the two holders from the hinge bracket.



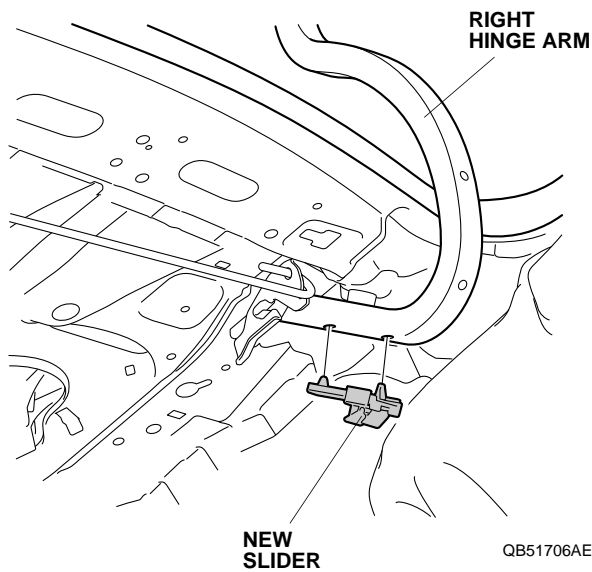
- Remove the old right trunk spring from the hinge bracket.



24. Install the new holders to the hinge bracket. Make sure the holders are installed in the correct orientation.



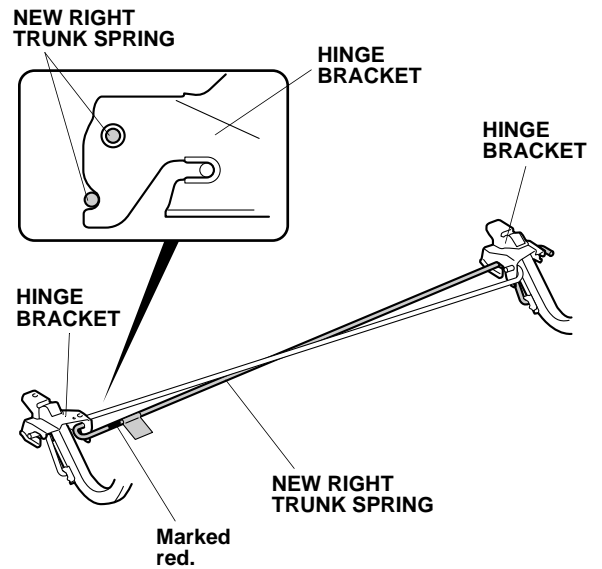
25. Install the new slider to the right hinge arm. Make sure the slider is installed in the correct orientation.



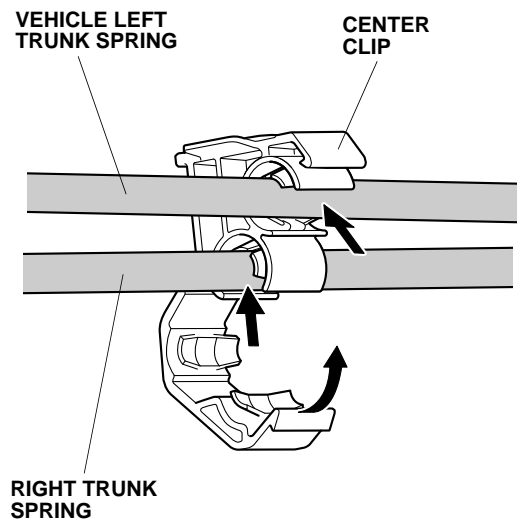
26. Install the new right trunk spring in the reverse order of removal:

- Install the red marked trunk spring in the slot in the left (driver's side) hinge bracket hole then rotate the spring to the right (passenger's side) hinge slot.
- Wearing gloves rotate the trunk spring tool as you pull it towards you.

**NOTICE:** Be careful when installing the trunk spring as they could repel with strong force and cause injury.



27. Reinstall the new right trunk spring on the center clip.



28. Reinstall the lever.