



INSTALLATION INSTRUCTIONS

Accessory

REAR CARGO TRAY
P/N 08U45-SJC-100

Application

2012 RIDGELINE

Publications No.

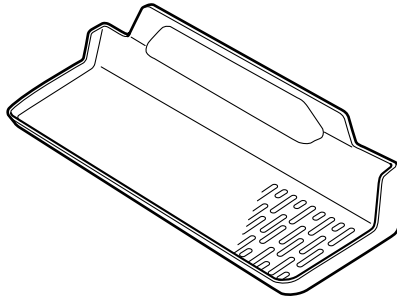
All 12029

Issue Date

NOV 2011

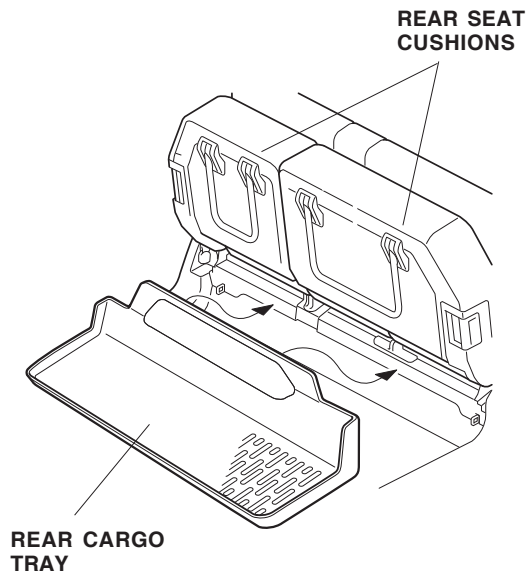
PARTS LIST

Rear cargo tray



INSTALLATION

1. Raise both rear seat cushions.
2. Position the rear cargo tray on the floor mat under the seat cushions.



3. Return the rear seat cushions to their original positions.