



# INSTALLATION INSTRUCTIONS

Accessory  
**SPLASH GUARDS**

Application  
**2012 ODYSSEY**

Publications No.  
**All 46752**

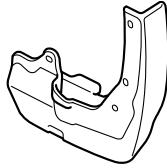
Issue Date  
**SEP 2011**

## PARTS LIST

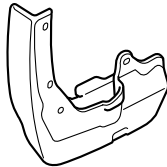
P/N: 08P00-TK8-100A (Touring)

P/N: 08P00-TK8-100 (LX, EX, EX-L)

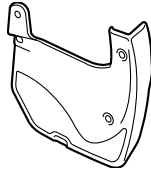
Left front splash guard



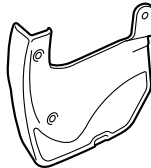
Right front splash guard



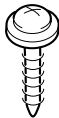
Left rear splash guard



Right rear splash guard



4 Self-tapping screws, 5 x 25 mm



## TOOLS AND SUPPLIES REQUIRED

Phillips screwdriver

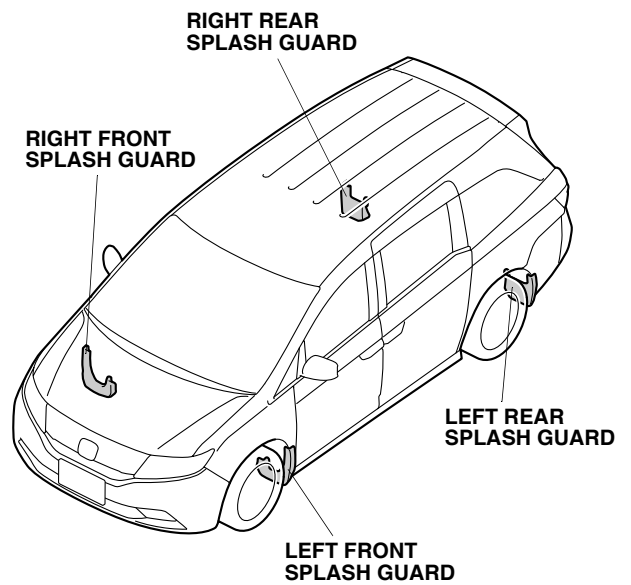
Stubby phillips screwdriver

Pushpin

Ratchet

10 mm Socket

## Illustration of the Splash Guards Installed on the Vehicle



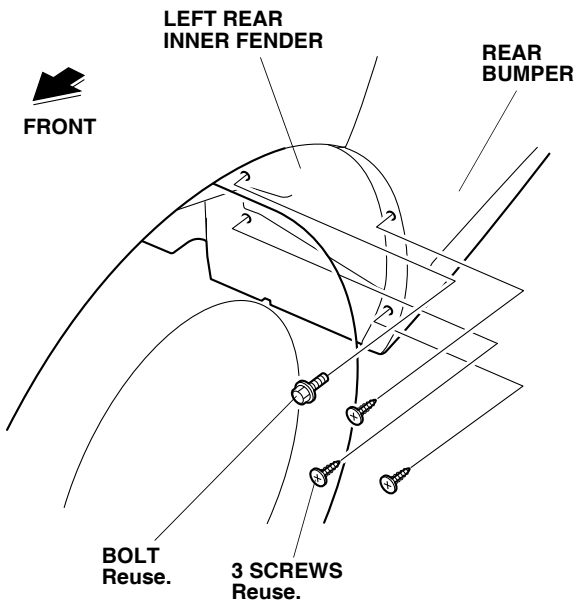
## INSTALLATION

### NOTE:

- Do not damage the paint finish.
- Clean and wax the areas to be covered with a high quality paste wax.

## Installing the Rear Splash Guards

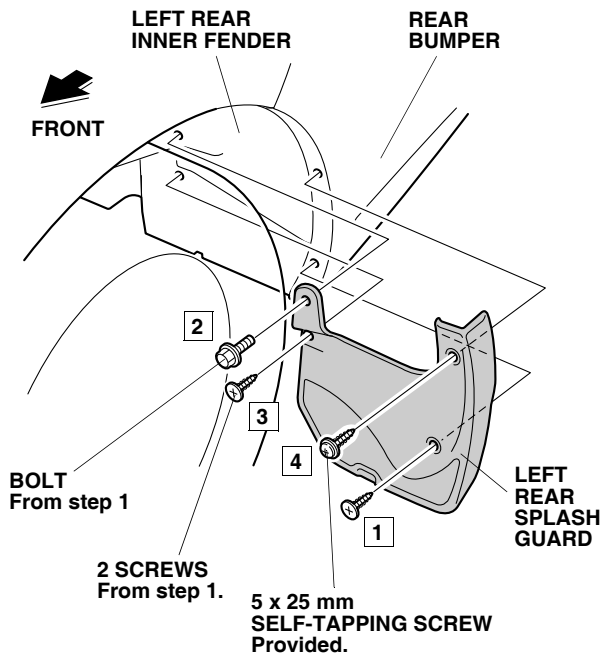
1. Remove one bolt and three screws from the left rear inner fender and rear bumper.



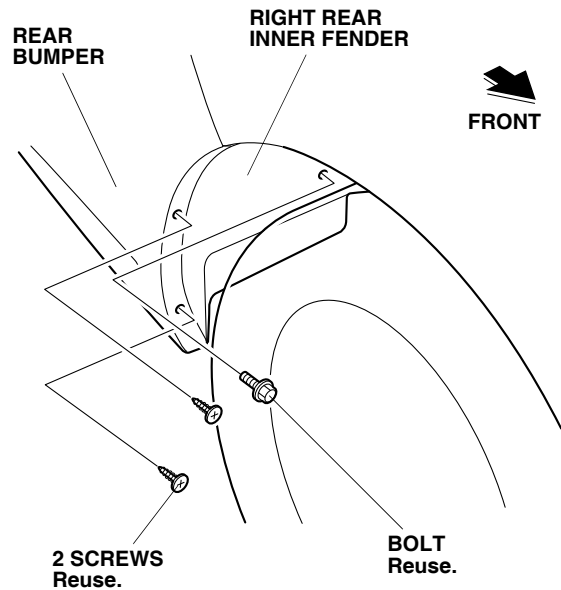
2. Secure the left rear splash guard to the left rear inner fender and rear bumper with one 5 x 25 mm self-tapping screw (provided), one bolt (reused), and two screws (reused). While holding the splash guard firmly against the fenderwell, tighten the self-tapping screws and bolt in this order

1 → 2 → 3 → 4.

NOTE: Make sure there is no gap between the splash guard and the body. If there is a gap, loosen the screws and retighten them in the proper order.



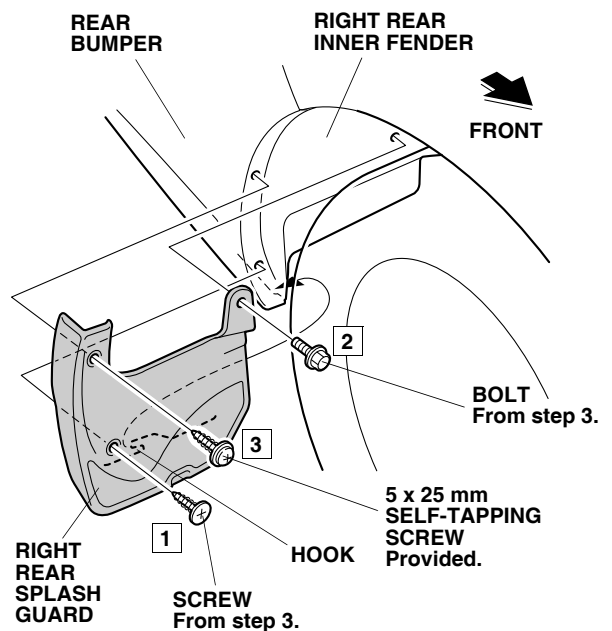
3. Remove one bolt and two screws from the right rear inner fender and rear bumper.



4. Secure the right rear splash guard to the right rear inner fender and rear bumper with one hook, one 5 x 25 mm self-tapping screw (provided), one bolt (reused), and one screw (reused). While holding the splash guard firmly against the fenderwell, tighten the screws and bolt in this order

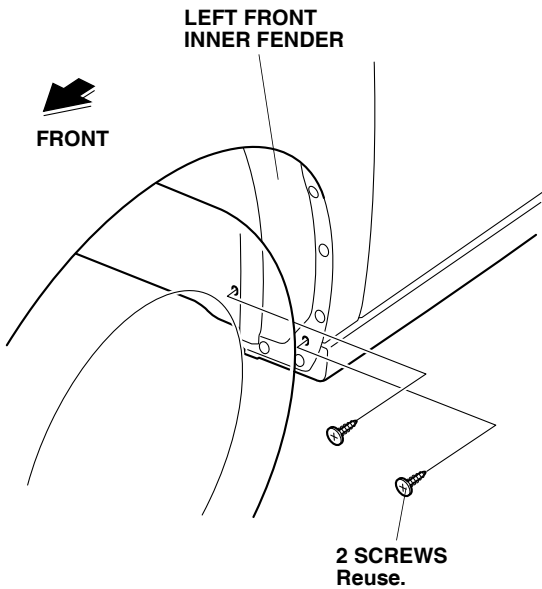
1 → 2 → 3.

NOTE: Make sure there is no gap between the splash guard and the body. If there is a gap, loosen the screws and retighten them in the proper order.

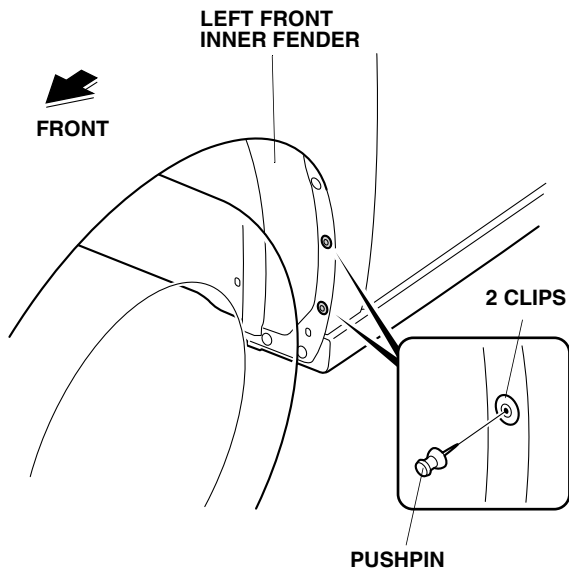


## Installing the Front Splash Guards

- Turn the steering wheel fully counterclockwise.
- Remove two screws from the left front inner fender.



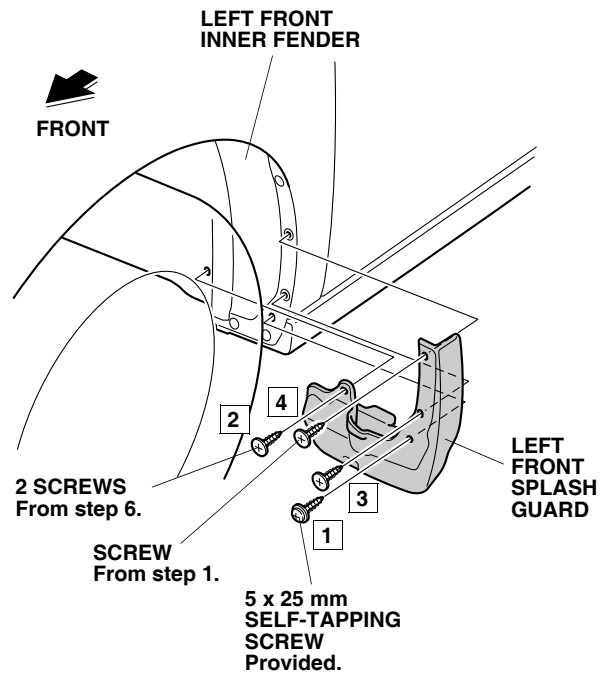
- Using a pushpin, pierce the center of two clips on the left front inner fender.



- Secure the left front splash guard to the left front inner fender with one 5 x 25 mm self-tapping screw (provided), and three screws (from steps 1 and 6). While holding the splash guard firmly against the fenderwell, tighten the self-tapping screw and screws in the order

1 → 2 → 3 → 4.

NOTE: Make sure there is no gap between the splash guard and the body. If there is a gap, loosen the screws and retighten them in the proper order.



- Repeat steps 5 through 8 to install the right front splash guard.