



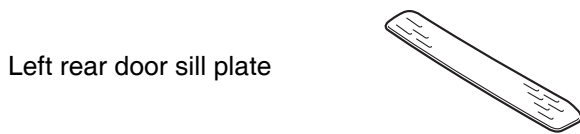
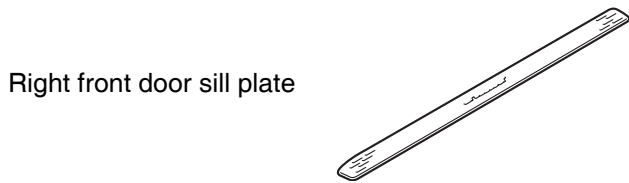
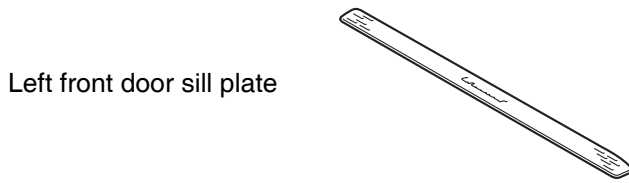
INSTALLATION INSTRUCTIONS

Accessory
DOOR SILL TRIM
P/N 08F05-TP6-101

Application
2012 CROSSTOUR

Publications No.
All 46177
Issue Date
JULY 2011

PARTS LIST



TOOLS AND SUPPLIES REQUIRED

Masking tape
Scale

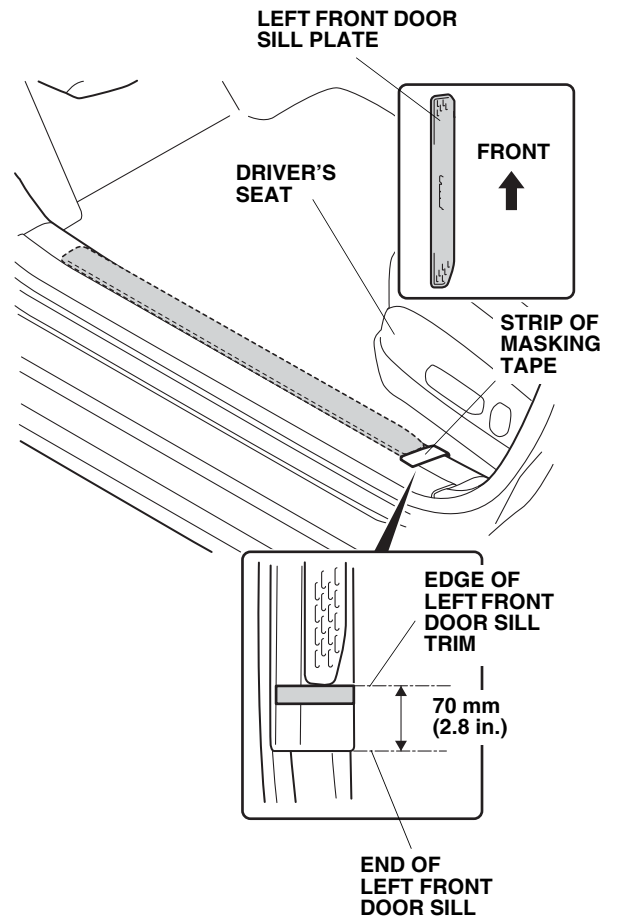
INSTALLATION

NOTE:

- These installation instructions show the left door sill plates being installed. The same procedure applies to the right door sill plates.
- This door sill trim kit should be installed only if the ambient air temperature is 15°C (60°F) or above.

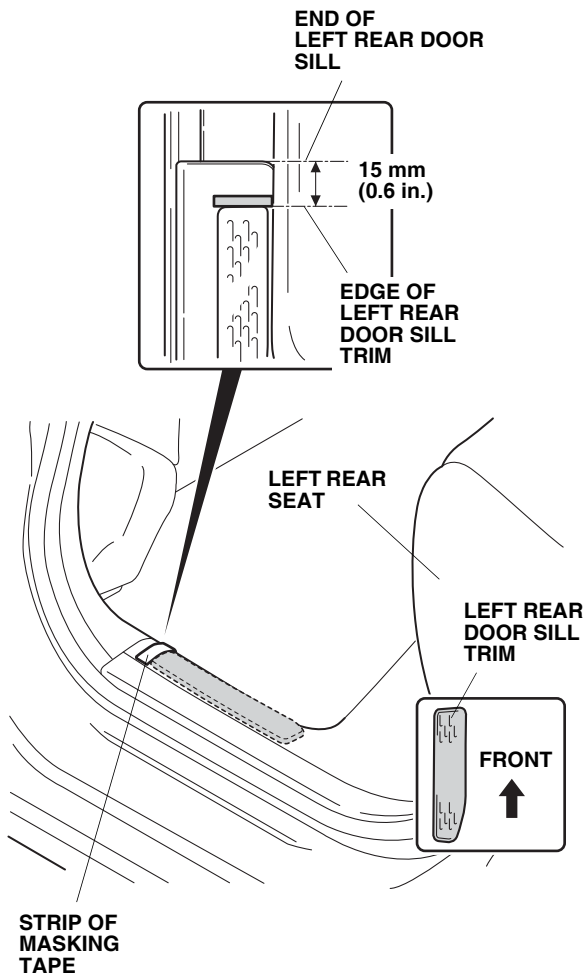
1. Open the left front door. Place the door sill trim on the door sill at the measurement shown, and mark the door sill using a strip of masking tape at the edge of the door sill trim.

Left Front Door Sill



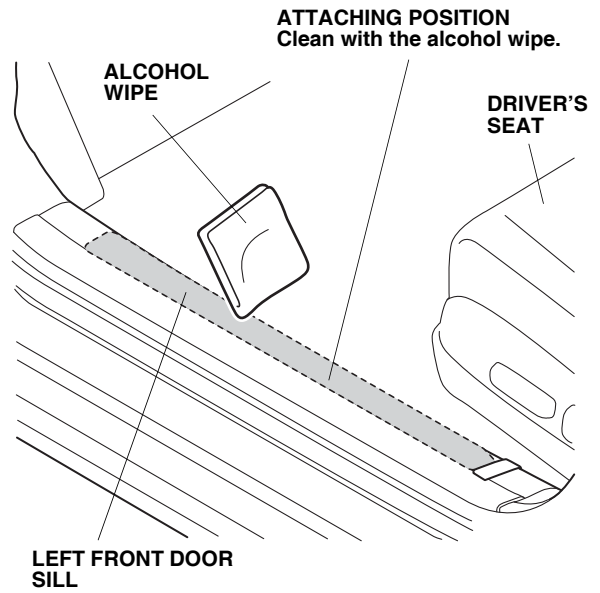
- Open the left rear door. Place the door sill trim on the door sill at the measurement shown, and mark the door sill using a strip of masking tape at the edge of the door sill trim.

Left Rear Door Sill

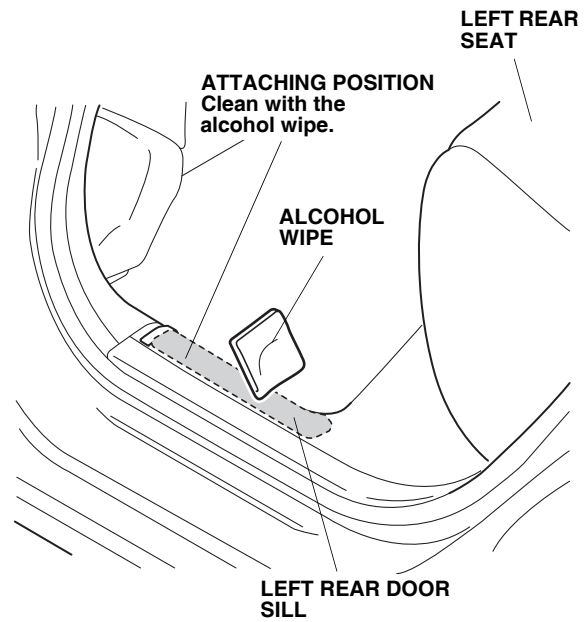


- Using one alcohol wipe, clean the front and rear door sills where the door sill trims will attach. Allow the alcohol to dry.

Left Front Door Sill

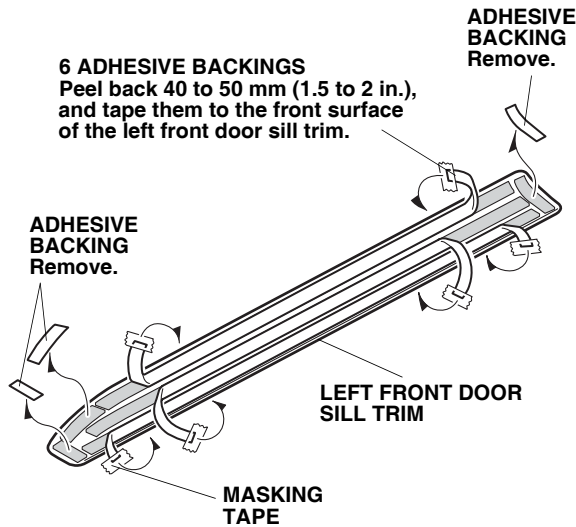


Left Rear Door Sill

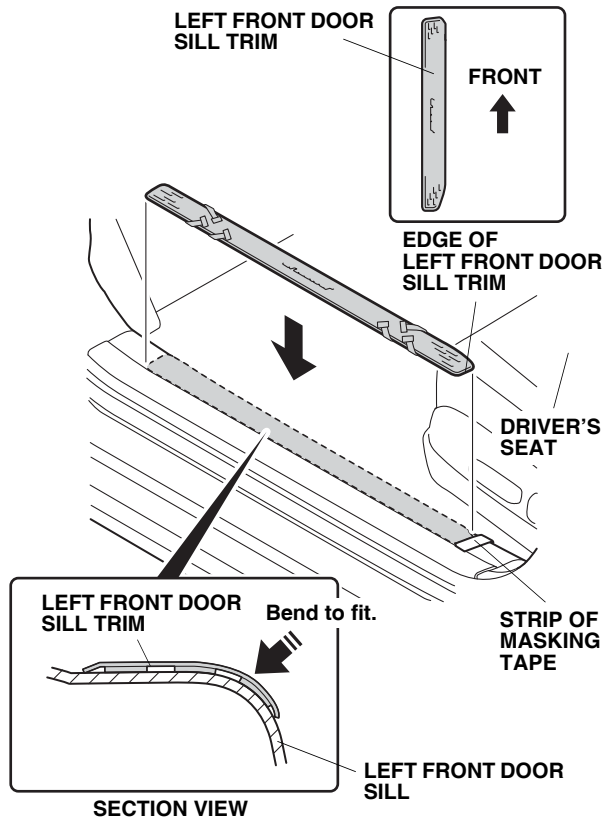


Installing the Left Front Door Sill Trim

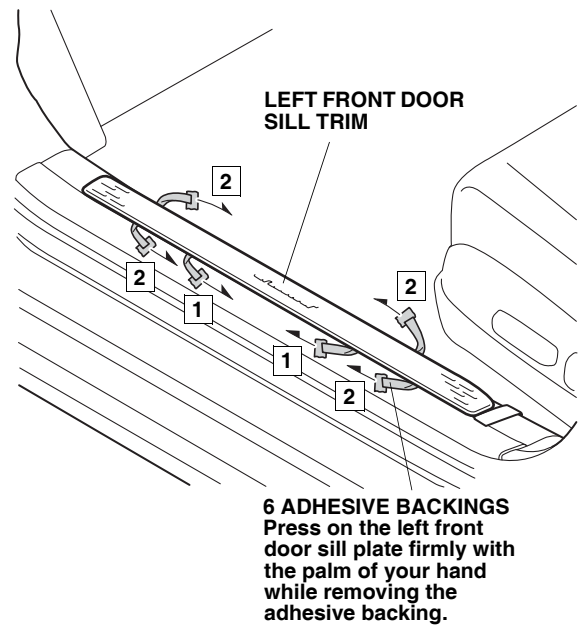
- Peel back about 40 to 50 mm (1.5 to 2 in.) of adhesive backing from each adhesive strip, and tape the ends to the front surface of the left front door sill trim. Remove the remaining adhesive backings.



- Starting at the curved area, bend the left front door sill trim against the left front door sill. Align the edge of the left front door sill trim with the masking tape, and install the left front door sill trim.

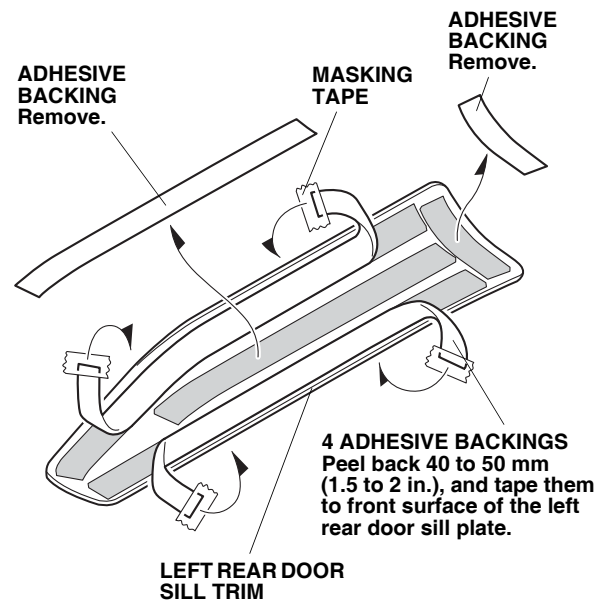


- Using the palm of your hand, press the left front door sill trim firmly against the door sill, and remove the adhesive backing in the order shown. Apply firm pressure, especially at the ends.

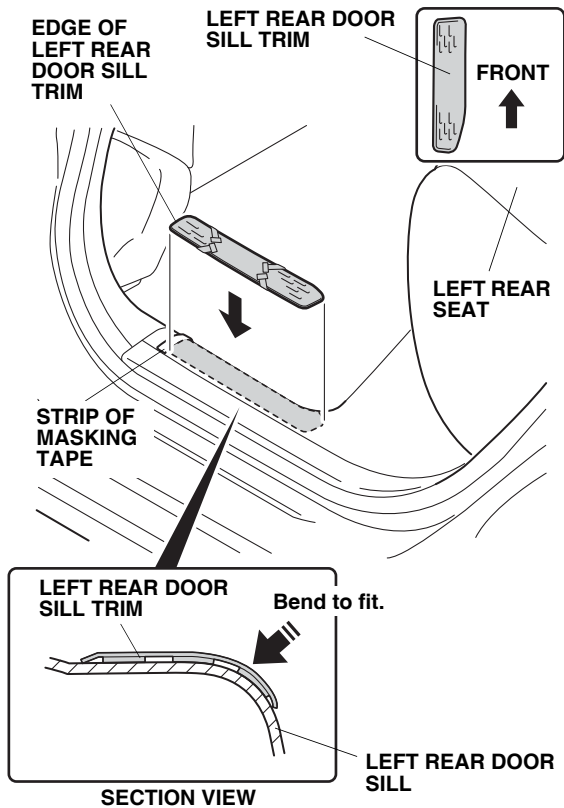


Installing the Left Rear Door Sill Trim

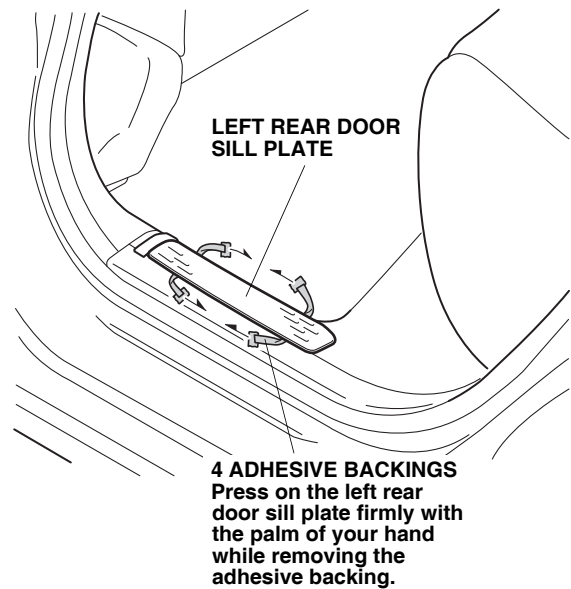
- Peel back about 40 to 50 mm (1.5 to 2 in.) of adhesive backing from each adhesive strip, and tape the ends to the front surface of the left rear door sill trim. Remove the remaining adhesive backings.



- Starting at the curved area, bend the left rear door sill trim against the left rear door sill. Align the edge of the left rear door sill trim with the masking tape, and install the left rear door sill trim.



- Using the palm of your hand, press the left rear door sill trim firmly against the door sill, and remove the adhesive backings. Apply firm pressure, especially at the ends.



- Remove all of the masking tape.
- Repeat steps 1 thru 10 to install the door sill trim on the right side of the vehicle.