



# INSTALLATION INSTRUCTIONS

Accessory  
**ALL-SEASON  
FLOOR MATS**

Application  
**2012 CROSSTOUR**

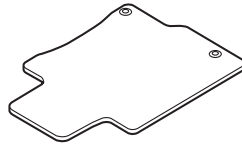
Publications No.  
**All 46171**  
Issue Date  
**JULY 2011**

Put this information in the glove box with the vehicles owner's manual

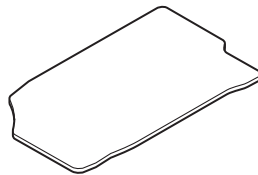
## PARTS LIST

**All-Season Floor Mats Kit (2WD)**  
**P/N 08P13-TP6-110**

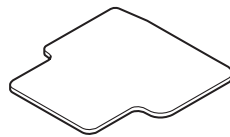
Driver's side  
all-season floor mat



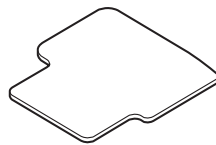
Passenger's side  
all-season floor mat



Left rear  
all-season floor mat

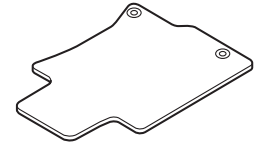


Right rear  
all-season floor mat

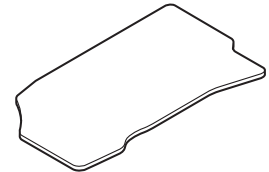


**All-Season Floor Mats Kit (4WD)**  
**P/N 08P13-TP7-110**

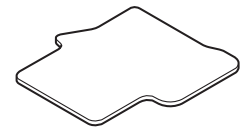
Driver's side  
all-season floor mat



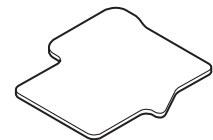
Passenger's side  
all-season floor mat



Left rear  
all-season floor mat



Right rear  
all-season floor mat



## INSTALLATION

### NOTE:

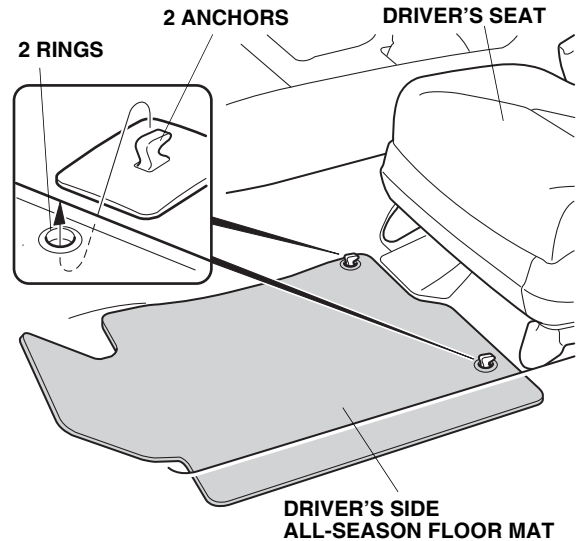
- Before installing the mats, identify their installation positions.
- Anchors are required for the driver's side of the vehicle; anchors prevent the mat from sliding forward and possibly interfering with the pedals.
- If you remove the mat, make sure you reanchor it when you put it back in your vehicle.
- If you replace the mat, use a factory mat designed to be used with the anchors.
- If you use a non-factory mat in the driver's footwell, make sure it fits properly and that it can be used with the anchors.
- **Do not put any additional mats on top of the anchored mat. The additional mat may slide forward and possibly interfere with the pedals.**
- Identify each mat by the marks on the back of each mat: the mats marked "R" go on the right side of the vehicle; the mats marked "L" go on the left side.

### Installing the All-Season Floor Mats

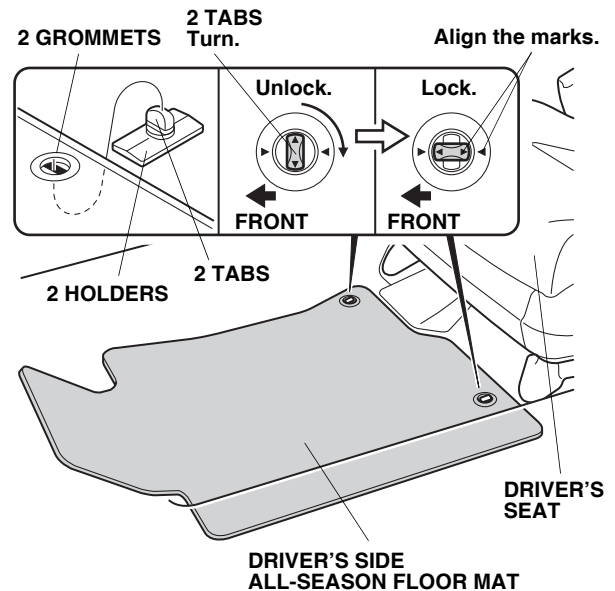
1. Remove the driver's, passenger's, and rear seat vehicle floor mats as described in the vehicle owner's manual. **Do not simply lay the all-season floor mats on top of the factory installed mats. The unsecured driver's mat could slide forward and possibly interfere with the pedals.**

### Installing the driver's all-season floor mat

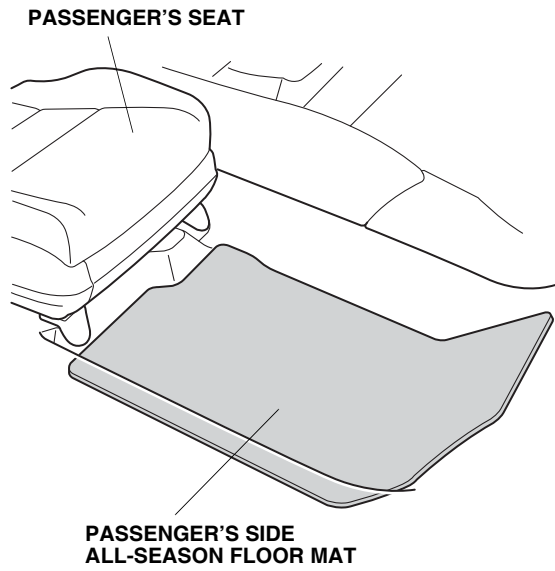
2. **2WD model:** Place the two rings in the driver's side all-season floor mat over the two anchors.



2. **4WD model:** Place the grommets in the driver's side all-season floor mat over the tabs, and turn the tabs one quarter turn to secure the all-season floor mat.



3. Position the passenger's side all-season floor mat in the passenger's footwell.



4. Position the right and left rear all-season floor mats in the rear seat footwells.

