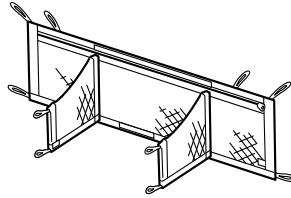


PARTS LIST

Cargo net



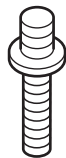
2 Anchors A (Large)



8 Anchors B (Small)



4 Stud bolts



4 Rivet nuts



6 Hex bolts, 6 x 16 mm



2 Flange nuts, 6 mm



8 Plain washers, 6 mm



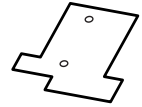
4 Spring washers, 6 mm



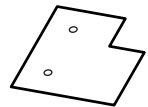
2 Spacers



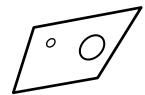
Template A (4-door)



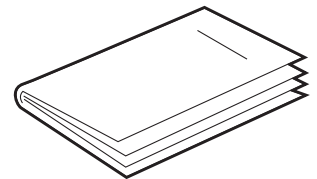
Template B (2-door)



Template C (2-door)



Accessory User's
Information Manual



TOOLS AND SUPPLIES REQUIRED

Clip remover

Rivet nut tool

Hex wrench

27 mm wrench

Drill

3 mm, 6.5 mm, 8 mm, 9 mm, and 11 mm Drill bits

Eye protection

Pushpin

Round file

Center punch

Masking tape

Tape

Touch-up paint

Torque wrench

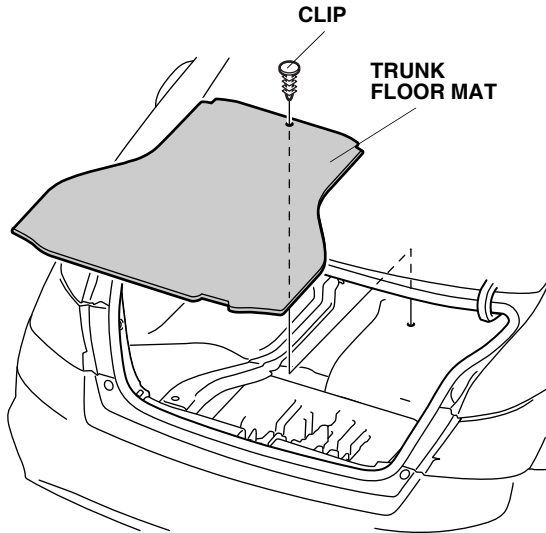
INSTALLATION

4-door model: Do steps 1 through 32.

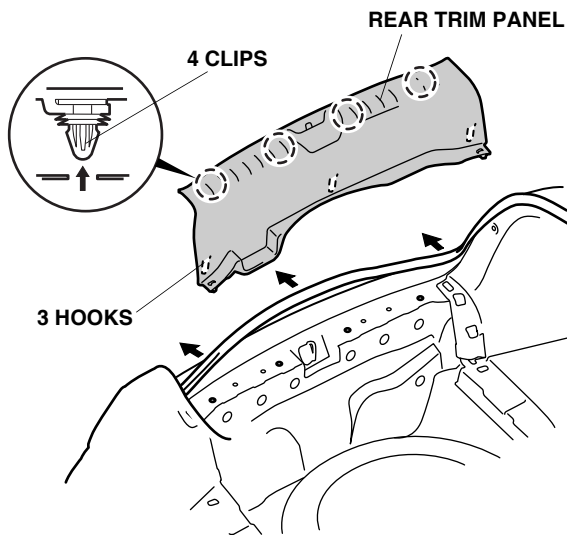
2-door model: Do steps 33 through 69.

Removing the Vehicle Parts

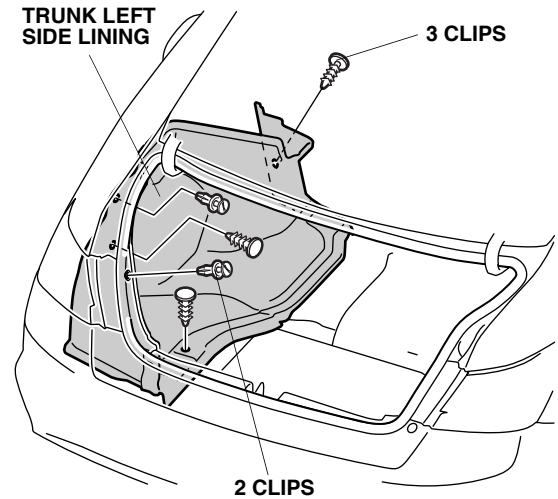
1. Remove the trunk floor mat (one clip).



2. Remove the rear trim panel (four clips and three hooks).



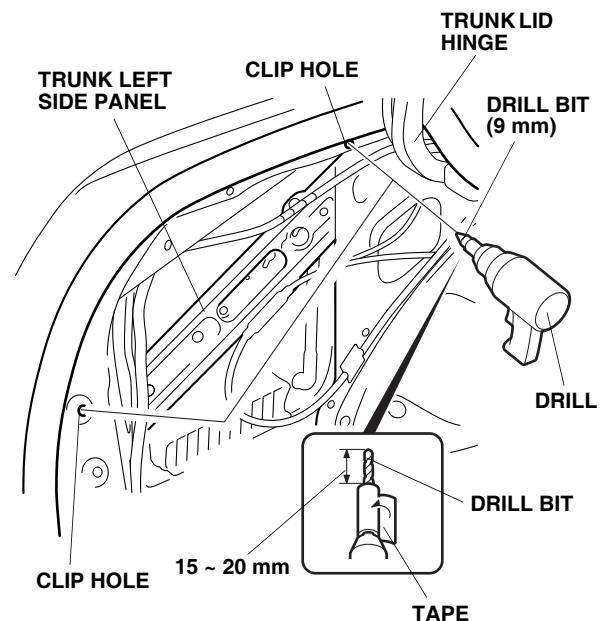
3. Remove the trunk left side lining (five clips).



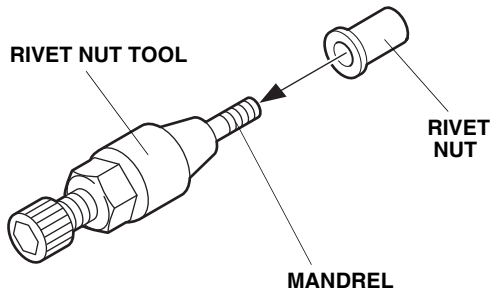
4. Remove the trunk right side lining the same way.

Installing the Anchors

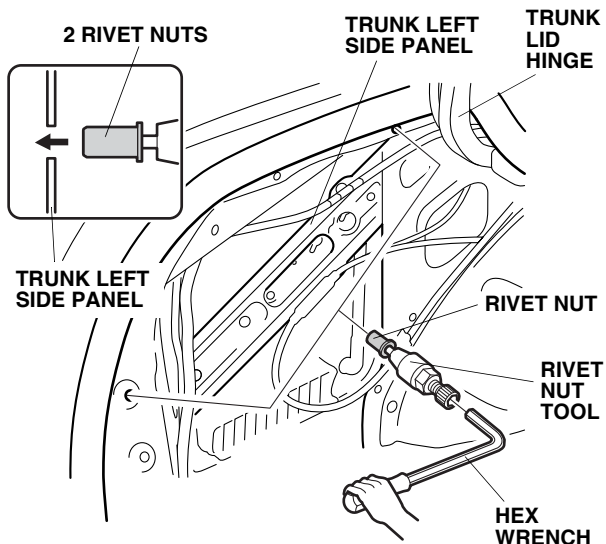
5. Wearing eye protection, use a drill to enlarge the two clip holes to 9 mm.
 - Wrap tape around the drill bit at 15 to 20 mm from the tip of the bit.
 - Remove any burrs from the edges of the holes using a round file. Apply touch-up paint to the drilled surface and allow the paint to dry thoroughly.
6. Repeat step 5 on the right side.



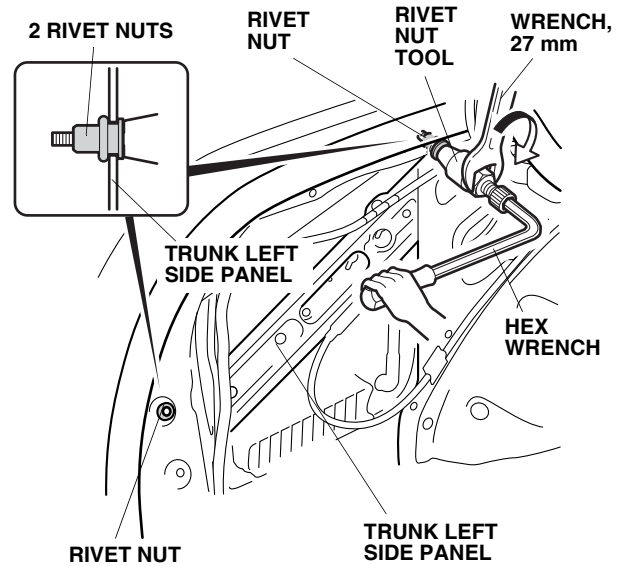
- Thread the rivet nut onto the mandrel of the rivet nut tool as shown.



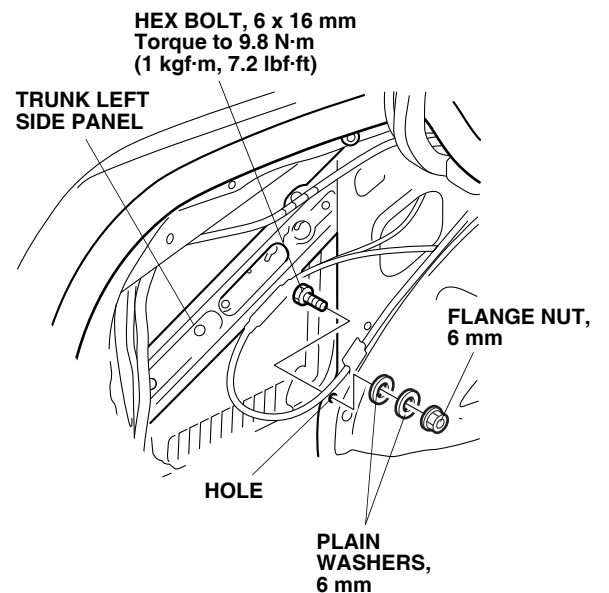
- Insert the rivet nut into the hole in the trunk left side panel and install the hex wrench on the rivet nut tool.



- While holding the rivet tool with the hex wrench, turn the 27 mm wrench clockwise and install the rivet nut to the left trunk side panel.

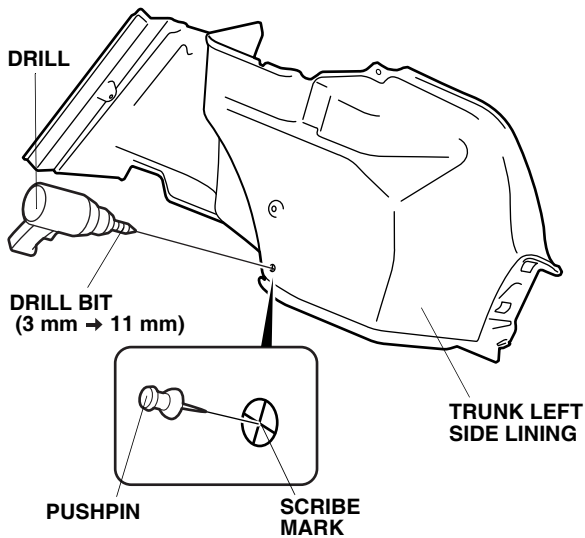


- Remove the rivet nut tool from the rivet nut by turning the hex wrench counterclockwise.
- Repeat steps 7 through 10 to install a second rivet nut on the left side, and two rivet nuts on the right side.
- Insert the 6 x 16 mm hex bolt into the hole in the trunk left side panel, and install two 6 mm plain washers and a 6 mm flange nut. Torque the 6 x 16 mm hex bolt to 9.8 N·m (1 kgf·m, 7.2 lbf·ft)

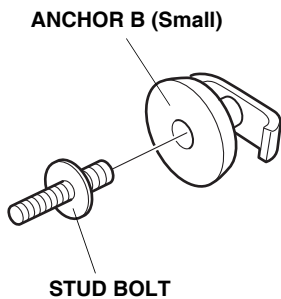


- Repeat step 12 on the right side.

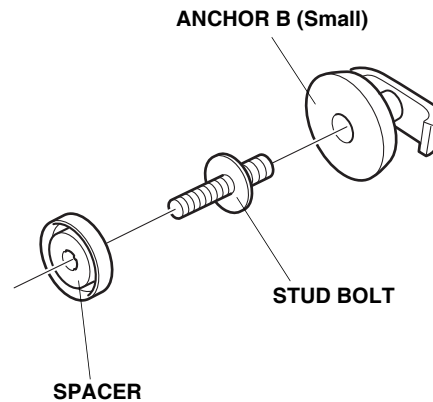
- Use a pushpin to pierce the scribe mark on the rear of the trunk left side lining.



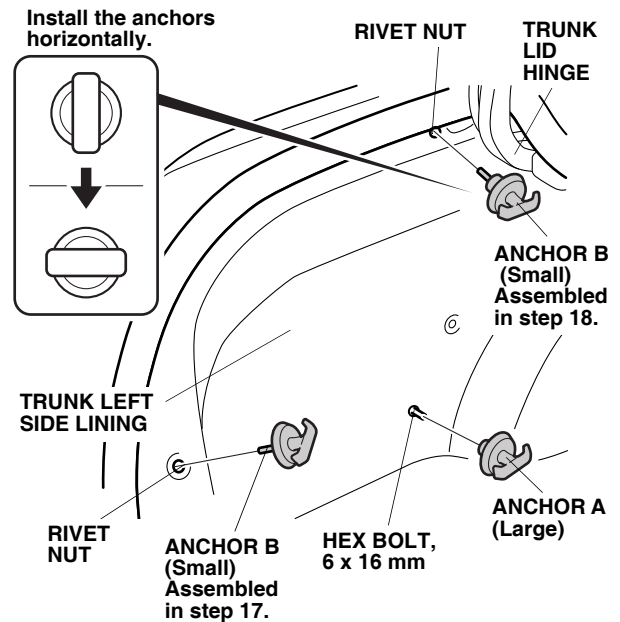
- While wearing eye protection, drill a 3 mm hole at the marked point, then finish with a 11 mm bit.
- Repeat steps 14 and 15 on the right side.
- Attach a stud bolt to an anchor B (Small).



- Attach a spacer and a stud bolt to an anchor B (Small). Note the direction of the spacer.

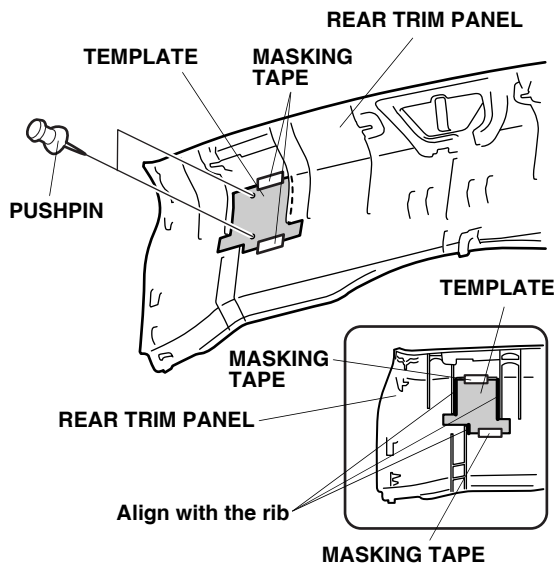


- Reinstall the trunk left side lining (five clips).
- Install the anchor B (Small) assembled in steps 17 and 18 into the rivnuts installed in step 9.

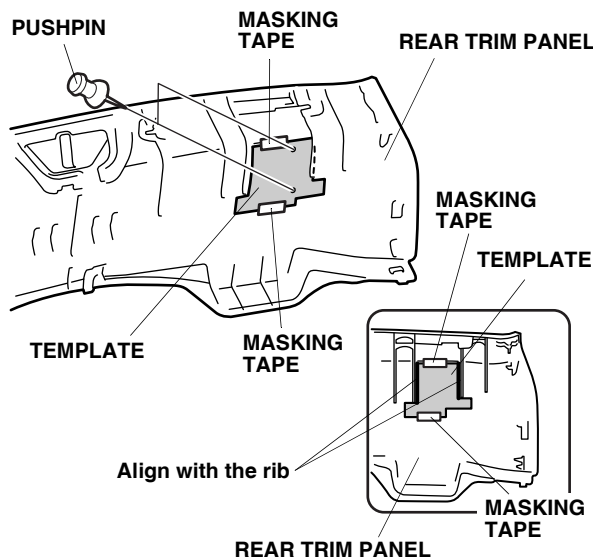


- Install an anchor A (Large) to the 6 x 16 mm hex bolt as shown. Position the anchors as shown.
- Repeat steps 17 through 21 on the right side.

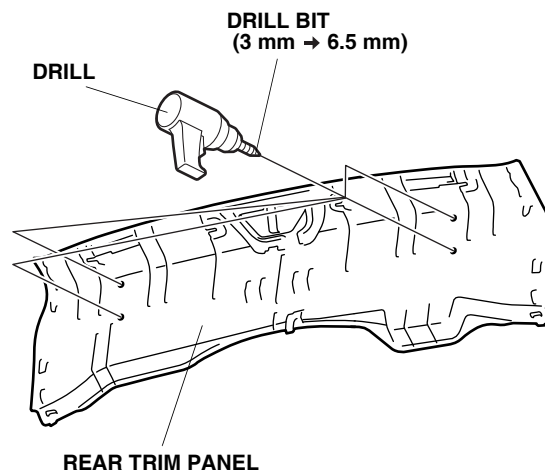
23. Attach template A to the rear of the rear trim panel using masking tape.
24. Pierce the rear of the rear trim panel with a pushpin according to the two template A marks. Remove template A.



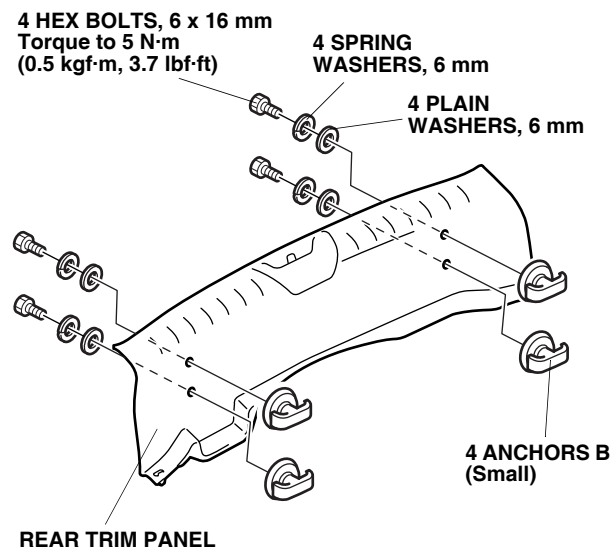
25. Reverse template A. Attach it to the rear of the rear trim panel using masking tape.
26. Pierce the rear of the rear trim panel with a pushpin according to the two template A marks. Remove template A.



27. While wearing eye protection, drill a 3 mm hole at the four marked points, then finish with a 6.5 mm bit. Remove any burrs from the edges of the holes using a round file.



28. Install four anchors B (Small) to the rear trim panel with four 6 x 16 mm hex bolts, four 6 mm spring washers, and four 6 mm plain washers as shown. Torque the 6 x 16 mm hex bolts to 5 N·m (0.5 kgf·m, 3.7 lbf·ft). Position the anchors as shown.

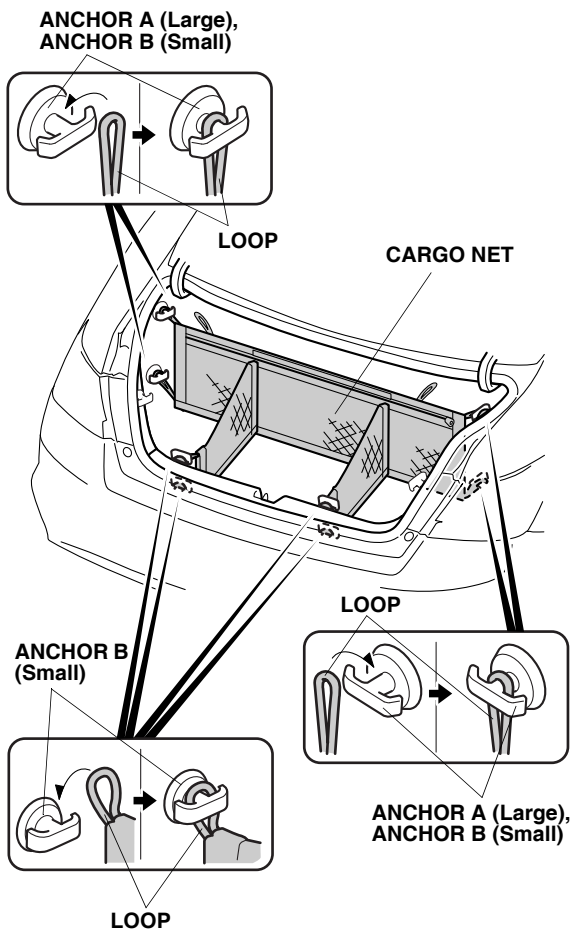


29. Reinstall the rear trim panel (four clips and three hooks).

Installing the Cargo Net

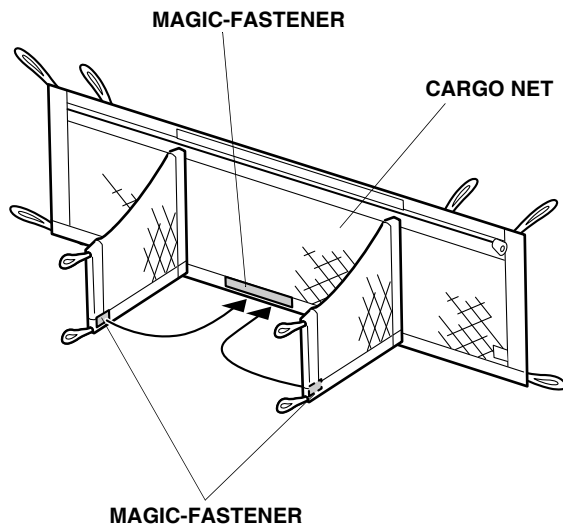
Vertical position

30. Hook the loops on the cargo net around the anchors A (Large) and B (Small).

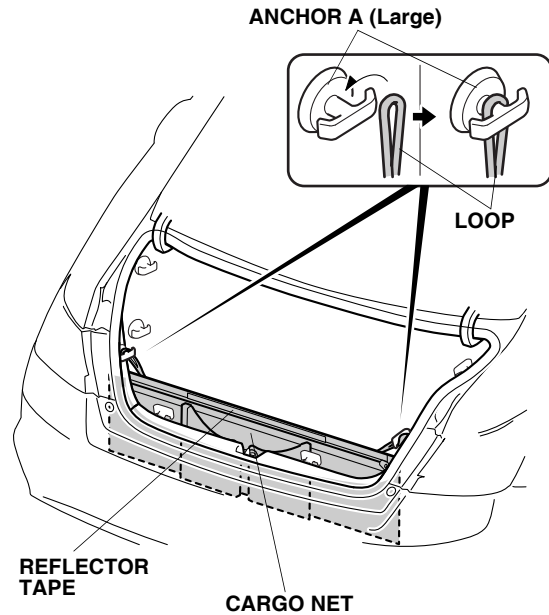


Rear vertical position

31. Attach the magic-fastener as shown on the cargo net.



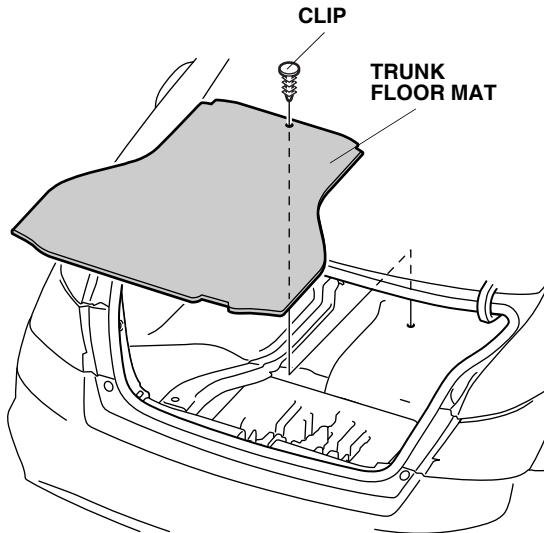
32. Hook the loops on the cargo net around the anchors A (Large). Make sure that the reflector tape is visible after installing.



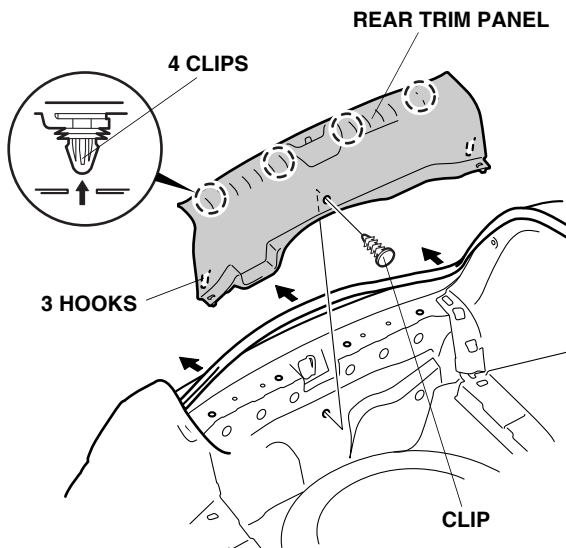
2-door model: Do steps 33 through 69.

Removing the Vehicle Parts

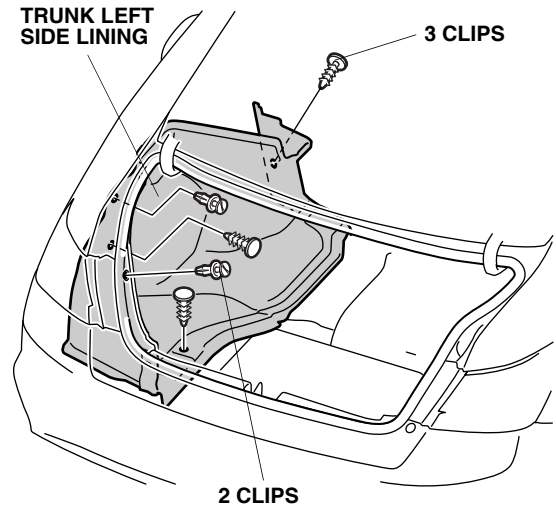
33. Remove the trunk floor mat (one clip).



34. Remove the rear trim panel (five clips and three hooks).



35. Remove the trunk left side lining (five clips).



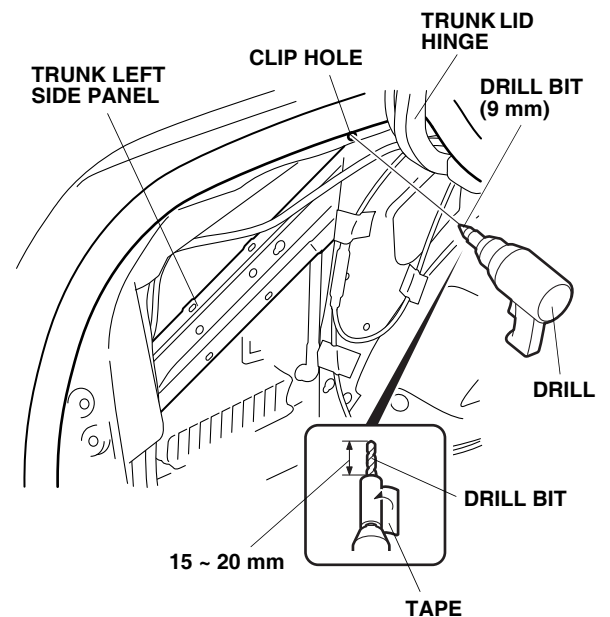
36. Remove the trunk right side lining in the same way.

Installing the Anchors

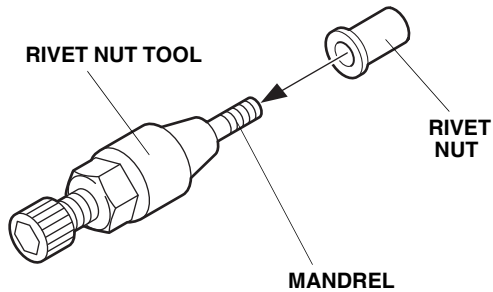
37. Wearing eye protection, use a drill to enlarge the clip hole to 9 mm.

- Wrap tape around the drill bit at 15 to 20 mm from the tip of the bit.
- Remove any burrs from the edge of the hole using a round file. Apply touch-up paint to the drilled surface and allow the paint to dry thoroughly.

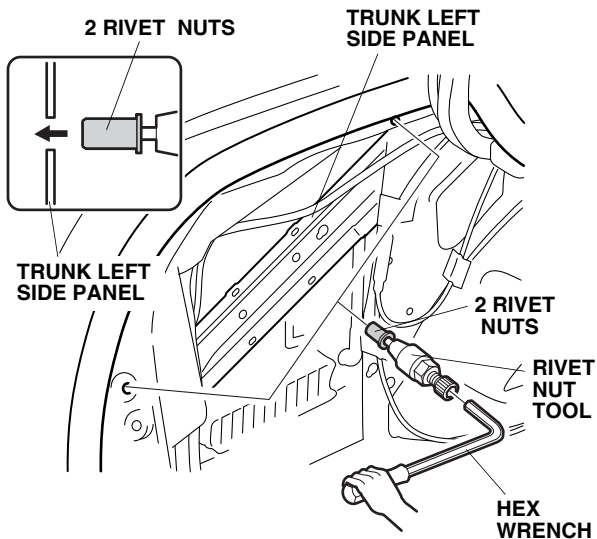
38. Repeat step 37 on the right side.



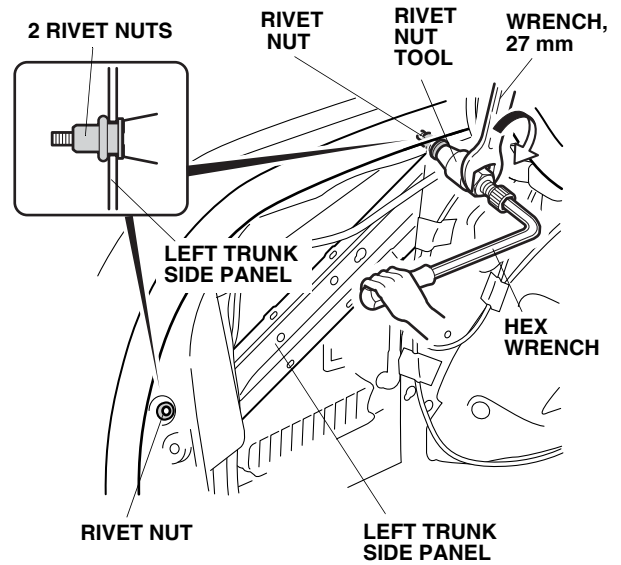
39. Thread the rivet nut onto the mandrel of the rivet nut tool as shown.



40. Insert the rivet nut into the hole in the left trunk side panel and install the hex wrench on the rivet nut tool.

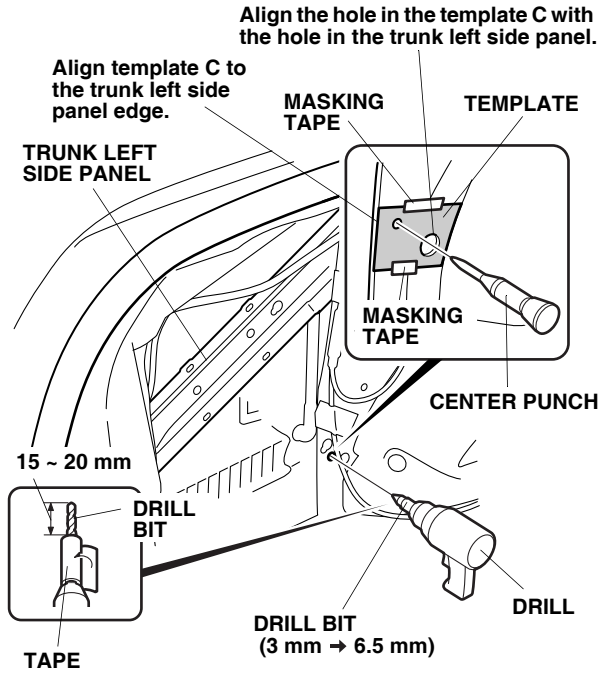


41. While holding the rivet tool with the hex wrench, turn the 27 mm wrench clockwise and install the rivet nut to the left trunk side panel.



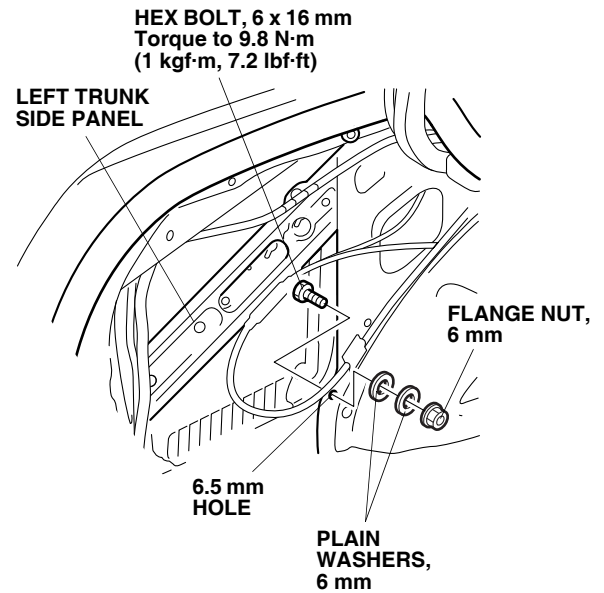
42. Remove the rivet nut tool from the two rivet nuts by turning the hex wrench counterclockwise.
43. Repeat steps 39 through 42 to install a second rivet nut on the left side, and two rivet nuts on the right side.

44. Attach template C to the trunk left side panel using masking tape.
45. Center punch at the marked point on template C.
Remove template C.

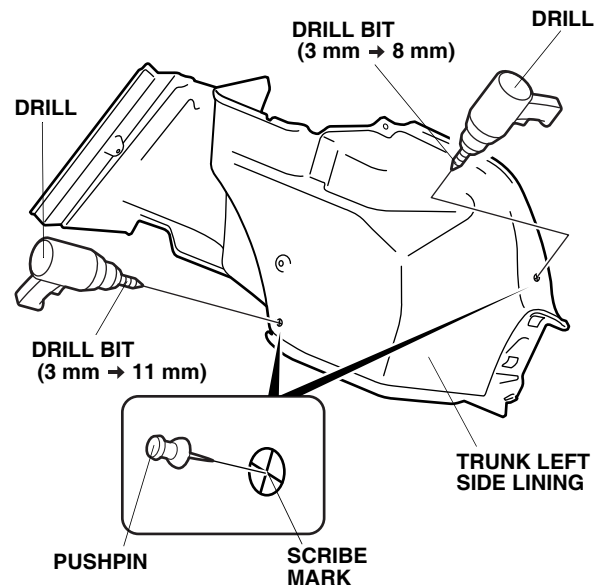


46. While wearing eye protection, drill a 3 mm hole at the marked point, then finish with a 6.5 mm bit.
 - Wrap tape around the drill bit at 15 to 20 mm from the tip of the bit to prevent drilling through the left trunk side panel.
 - Remove any burrs from the edges of the holes using a round file. Apply touch-up paint to the drilled surface and allow the paint to dry thoroughly.

47. Insert the 6 x 16 mm hex bolt into the 6.5 mm hole made in step 46 of the trunk left side panel, and install two 6 mm plain washers and a 6 mm flange nut. Torque the 6 x 16 mm hex bolt to 9.8 N·m (1 kgf·m, 7.2 lbf·ft)

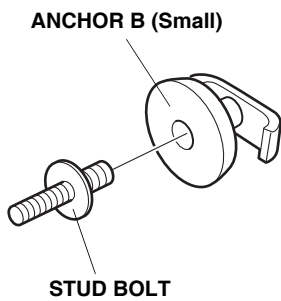


48. Repeat steps 44 through 47 on the right side.
49. Use a pushpin to pierce the two scribe marks on the rear of the trunk left side lining.

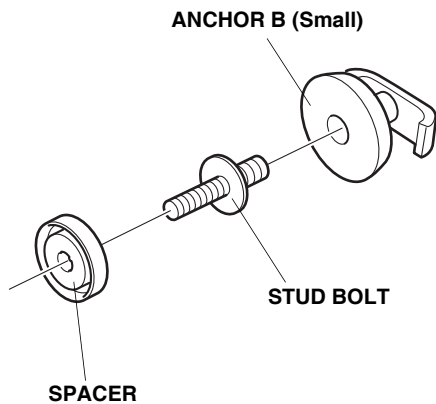


50. While wearing eye protection, drill at the marked points using a drill with 3 mm bit.
51. Enlarge the 3 mm hole made in step 50 using a 8 mm bit as shown.
52. Enlarge the 3 mm hole made in step 50 using a 11 mm bit as shown.
53. Repeat steps 49 through 52 on the right side.

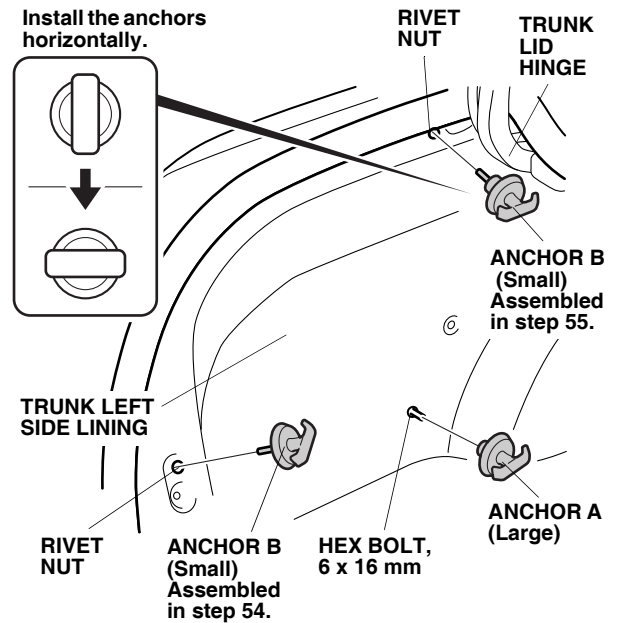
54. Attach a stud bolt to an anchor B (Small).



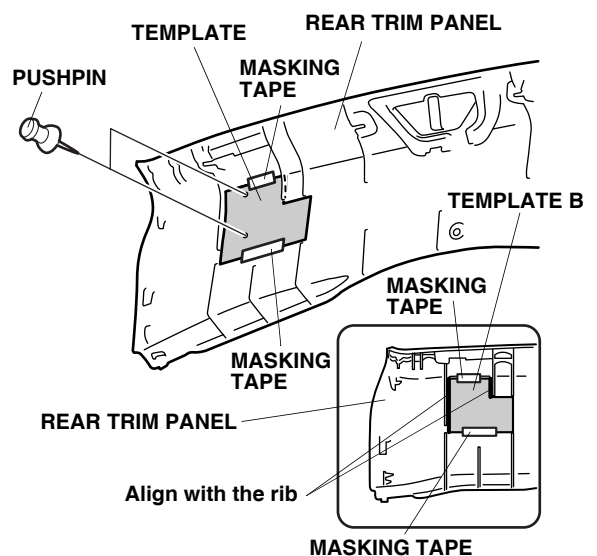
55. Attach a spacer and stud bolt to an anchor B (Small).
Note the direction of the spacer.



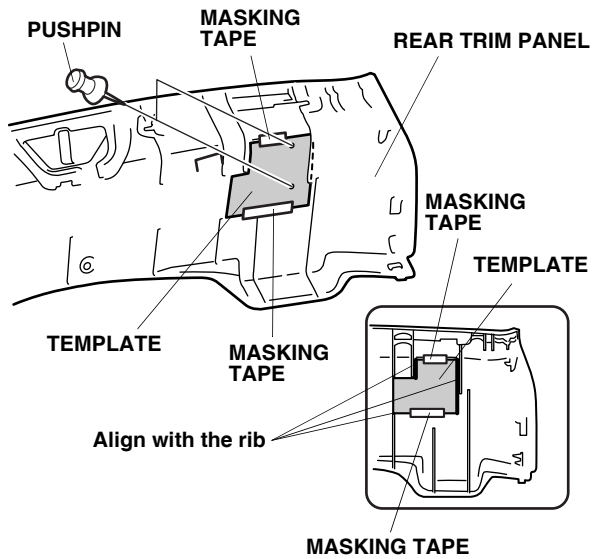
56. Reinstall the trunk left side lining (five clips).
57. Install the anchor B (Small) assembled in steps 54 and 55 into the rivet nuts installed in step 41.



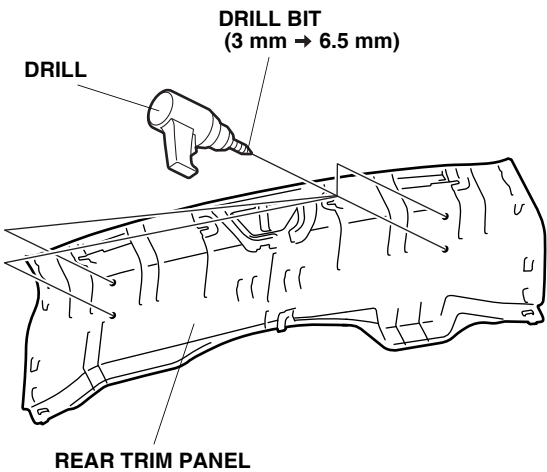
58. Install the anchor A (Large) to the 6 x 16 mm hex bolt as shown.
59. Repeat steps 54 through 58 on the right side. Position the anchors as shown.
60. Attach template B to the rear of the rear trim panel using masking tape.
61. Pierce the rear of the rear trim panel with a pushpin according to the two template B marks. Remove template B.



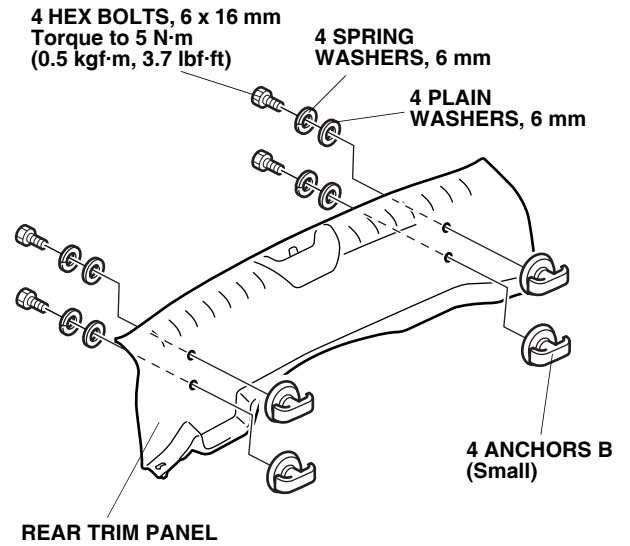
62. Reverse template B. Attach it to the rear of the rear trim panel using masking tape.
63. Pierce the rear of the rear trim panel with a pushpin according to the two template B marks. Remove template B.



64. While wearing eye protection, drill a 3 mm hole at the four marked points, then finish with a 6.5 mm bit. Remove any burrs from the edges of the holes using a round file.



65. Install the four anchors B (Small) to the rear trim panel with four 6 x 16 mm hex bolts, four 6 mm spring washers, and four 6 mm plain washers as shown. Torque the 6 x 16 mm hex bolts to 5 N·m (0.5 kgf·m, 3.7 lbf·ft). Position the anchors as shown.

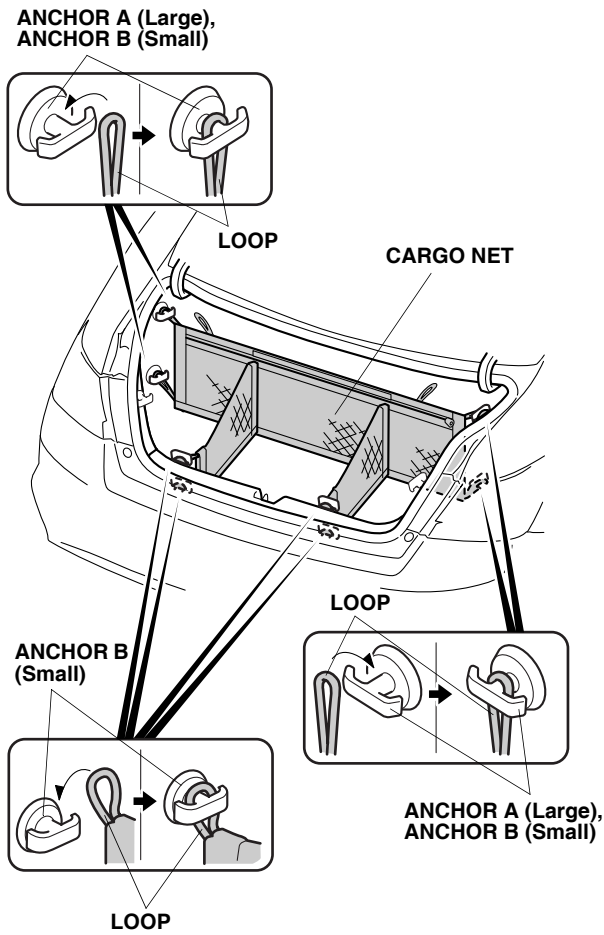


66. Reinstall the rear trim panel (four clips and three hooks).

Installing the Cargo Net

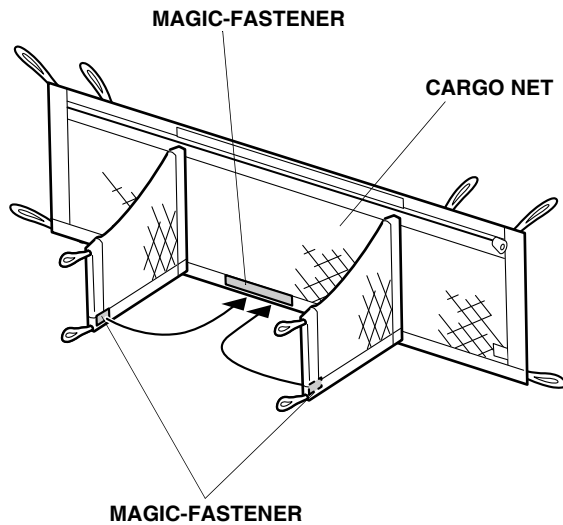
Vertical position

67. Hook the loops on the cargo net around the anchors A (Large) and B (Small).



Rear vertical position

68. Attach the magic-fastener as shown on the cargo net.



69. Hook the loops on the cargo net around the anchors A (Large). Make sure that the reflector tape is visible after installing.

