



# INSTALLATION INSTRUCTIONS

Accessory

SPLASH GUARDS  
P/N 08P00-TE0-100

Application

2012 ACCORD  
2-DOOR

Publications No.

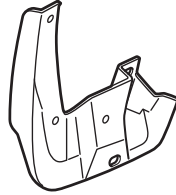
All 46524

Issue Date

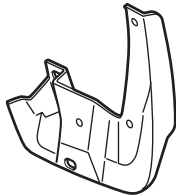
AUG 2011

## PARTS LIST

Right front splash guard



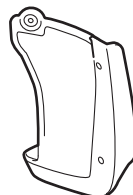
Left front splash guard



Right rear splash guard



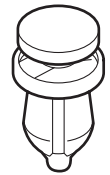
Left rear splash guard



12 Self-tapping screws, 5 x 25 mm



2 Clips



## TOOL AND SUPPLIES REQUIRED

Stubby Phillips screwdriver

Pushpin

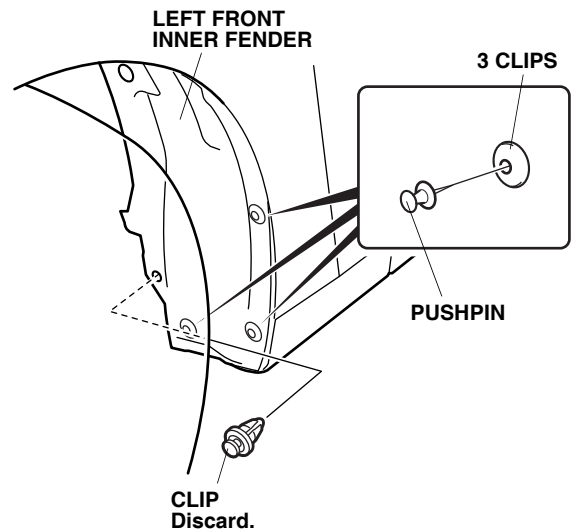
## INSTALLATION

### NOTE:

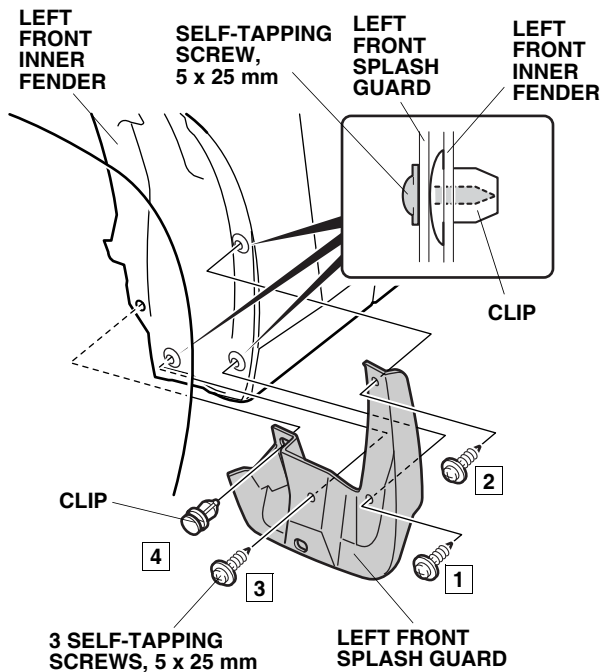
- These instructions show the left splash guards being installed. The same procedure applies to installing the right splash guards.
- The splash guards cannot be installed with the rear or side under spoiler.
- Clean and wax the areas to be covered with a high-quality paste wax.

### Installing the Front Splash Guards

1. Turn the steering wheel all the way counterclockwise.
2. Remove the clip from the left front inner fender as shown.
3. Using a pushpin, make small holes through the centers of the three clips.



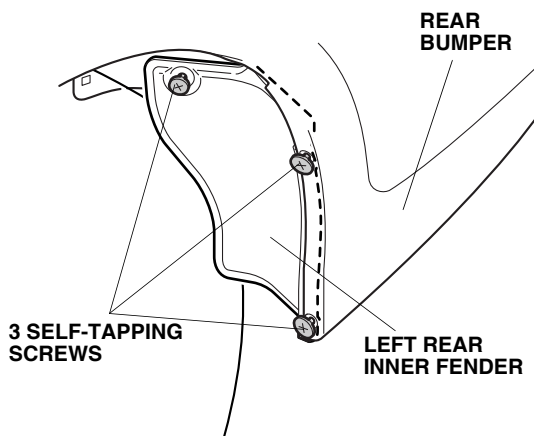
- Install the left front splash guard using the three 5 x 25 mm self-tapping screws, and one clip. Do not tighten the 5 x 25 mm self-tapping screws yet.



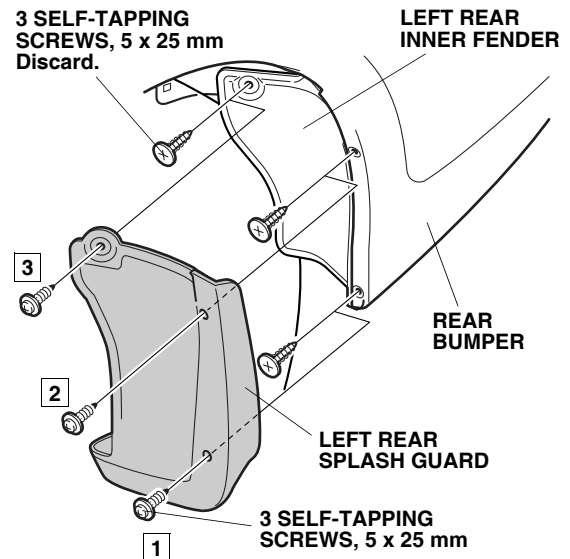
- While holding the left front splash guard against the left front inner fender, tighten the 5 x 25 mm self-tapping screws in the order shown.
- Turn the steering wheel all the way clockwise, and repeat steps 2 through 5 to install the right front splash guard.

### Installing the Rear Splash Guards

- Loosen three self-tapping screws in the left rear inner fender as shown.



- Place the left rear splash guard over the left rear inner fender. Remove the self-tapping screws and install 5 x 25 mm self-tapping screws in the left rear splash guard.



- While holding the left rear splash guard against the left rear bumper, tighten the 5 x 25 mm self-tapping screws in the order shown.
- Repeat steps 7 through 9 to install the right rear splash guard.