



INSTALLATION INSTRUCTIONS

Accessory
LUGGAGE BASKET
P/N 08L04-S9V-100

Application
2011 PILOT

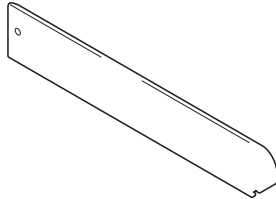
Publications No.
All 43322

Issue Date
MARCH 2010

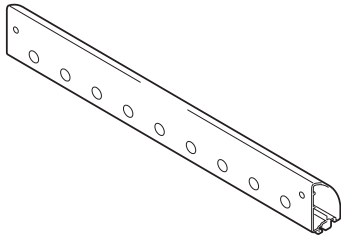
Put this information in the glove box with the vehicle owner's manual.

PARTS LIST

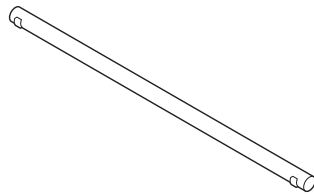
2 Frames A



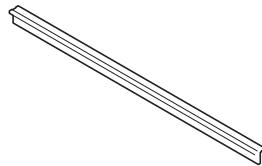
2 Frames B



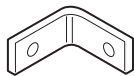
9 Pipes



Flap



L Brackets



4 Bracket covers A



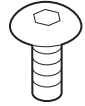
4 Bracket covers B



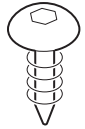
8 Bolts



8 Screws



8 Self-tapping screws



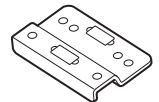
8 Nuts



8 Washers



4 Brackets B



8 Square nuts



8 Socket bolts



TOOLS REQUIRED

Phillips screwdriver

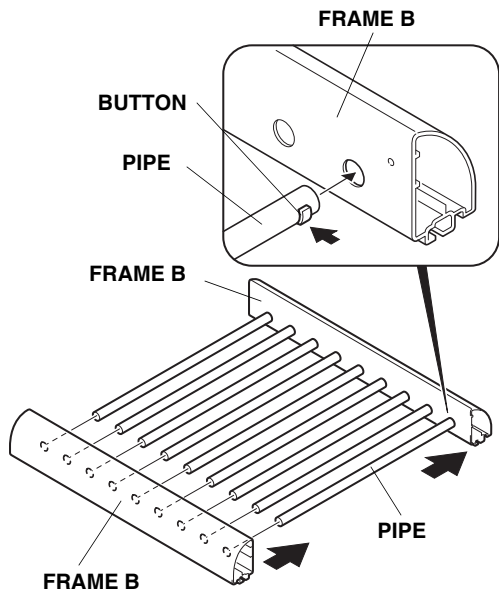
10 mm Combination wrench

INSTALLATION

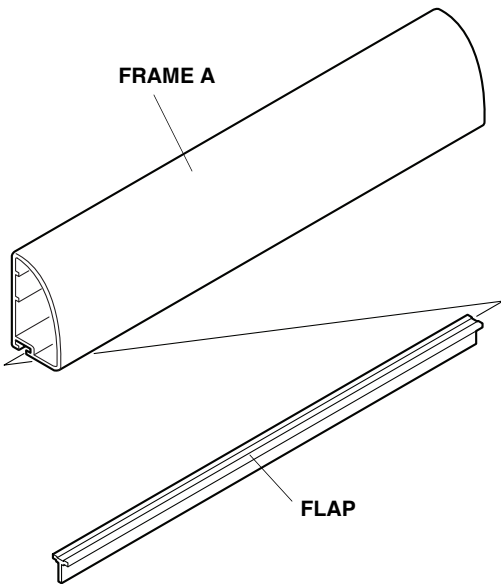
NOTE:

- Be careful not to damage the roof and other finished surfaces of the body when installing the luggage basket.
- Be careful before entering automatic car washes. Compare the vehicle height limit of the automatic car wash and the height of the vehicle.
- The maximum load capacity for this product is 50 kg (110 lb); approximate product weight is 5 kg (12 lbs).
- Optional roof rack crossbars (sold separately) are required to install the luggage basket.

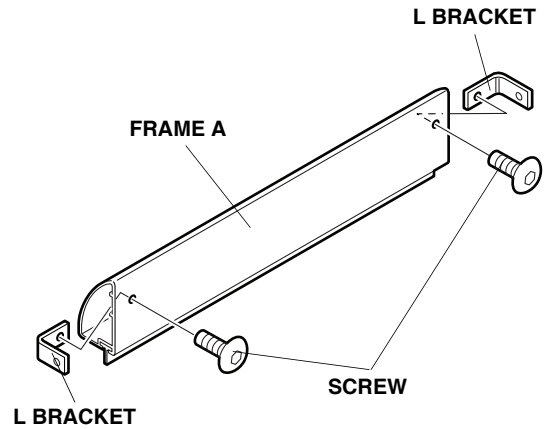
1. Insert the nine pipes into frame B. Press down on the button on the end of each pipe, and push the end into the hole in frame B. Repeat on the other side.



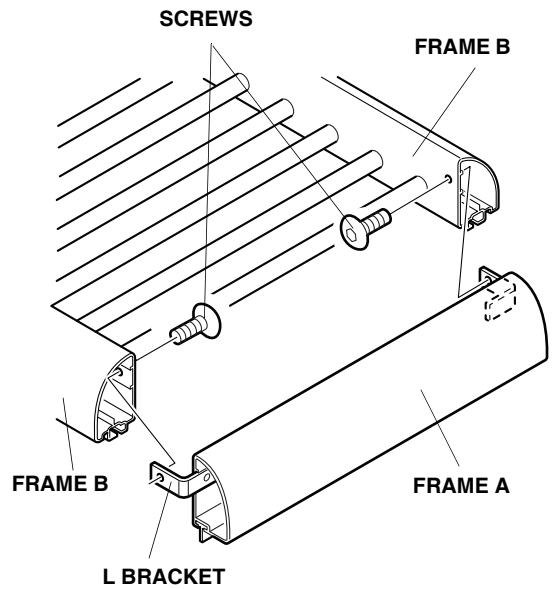
2. Slide the flap into the groove of one frame A. This will be the front of the basket.



3. Attach one L bracket on each end of the frame A using one screw for each bracket.

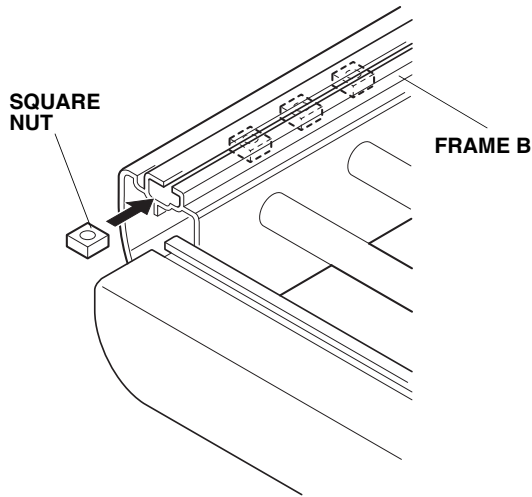


4. Install L brackets on the other frame A.
5. Attach frame A to both frames B by sliding the L brackets into frames B and installing two screws.

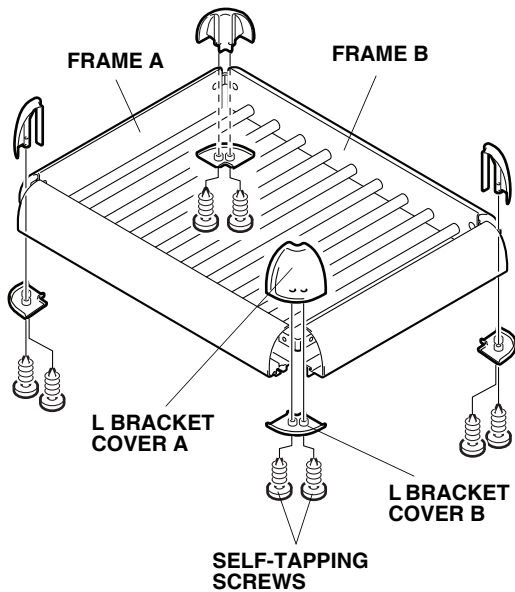


6. Install the remaining frame A to the frames B in the same way.

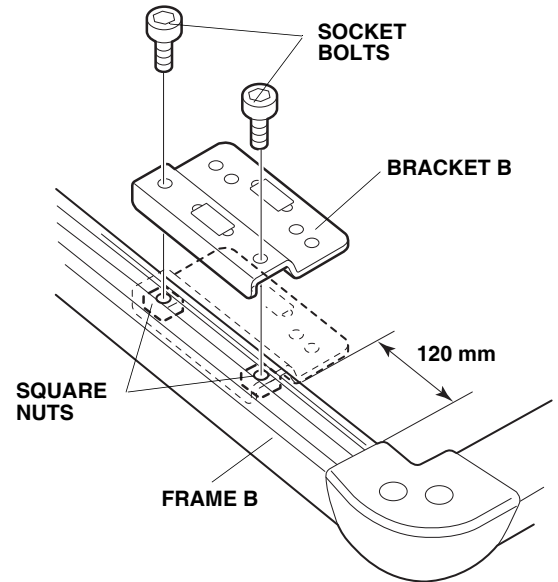
- Slide four square nuts into the groove in frame B. Repeat on the other frame B.



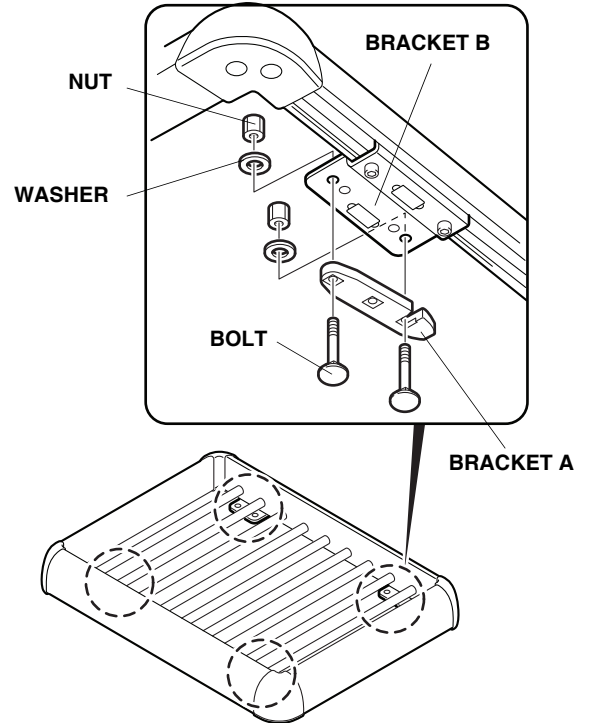
- Position four L bracket covers A over the ends of the frames A and B, then install four L bracket covers B and install self-tapping screws to secure the covers.



- Position four brackets B to frame B at the measurement shown, and install two socket bolts into the square nuts for each bracket B.



- Attach one bracket A to each of four brackets B, using two bolts, two washers and two nuts for each bracket A. Do not tighten the bolts yet.



11. Position the luggage basket on the roof rack, with the flap on frame A facing forward. Attach the basket to the cross bars by sliding bracket A around the crossbar and tightening the nuts. Tighten the nuts evenly.

