



# INSTALLATION INSTRUCTIONS

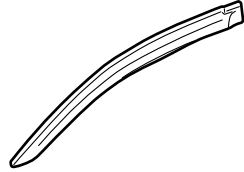
Accessory  
**DOOR VISORS**  
P/N 08R04-TM8-100

Application  
**2011 INSIGHT**

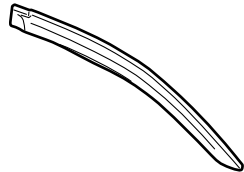
Publications No.  
**All 44900**  
Issue Date  
**NOV 2010**

## PARTS LIST

Left front door visor



Right front door visor



Left rear door visor



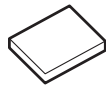
Right rear door visor



8 Brackets



4 Sealers



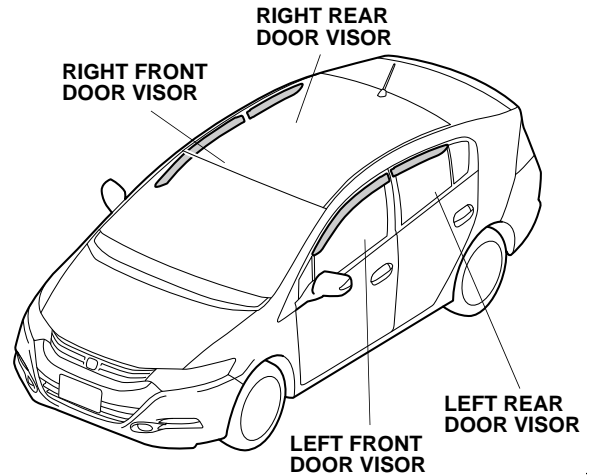
8 Clips



## TOOLS AND SUPPLIES REQUIRED

- Isopropyl alcohol
- Shop towel
- Masking tape
- Tape measure

### *Illustration of the Door Visors Installed on the Vehicle*



## INSTALLATION

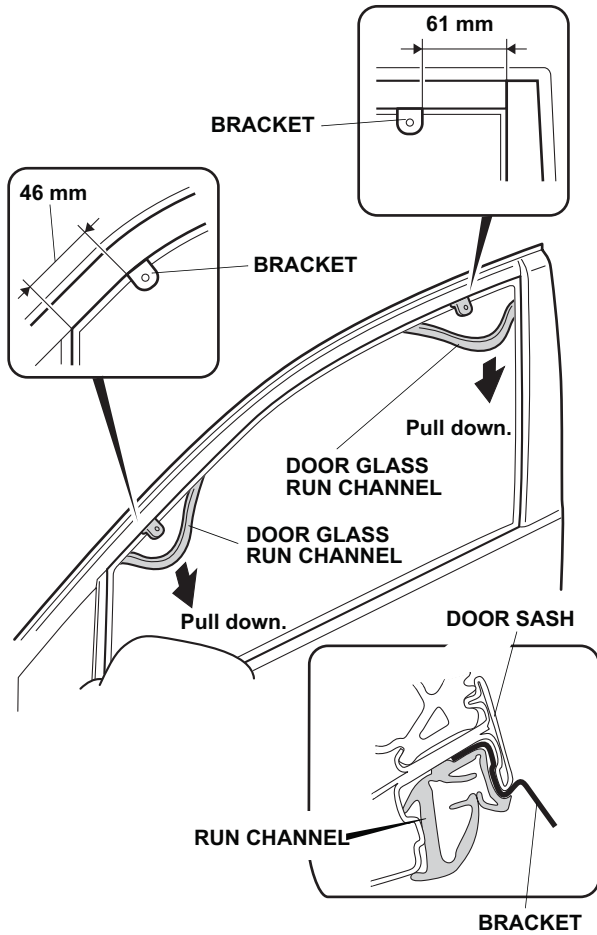
**Customer Information:** The information in this installation instruction is intended for use only by skilled technicians who have the proper tools, equipment, and training to correctly and safely add equipment to your vehicle. These procedures should not be attempted by "do-it-yourselfers."

### NOTE:

- Visors may not be legal in all states. Please check the laws of your state.
- These instructions show the left door visors being installed. The same procedure applies to installing the right door visors.
- Do not damage the body paint finish and glass run channels when installing the door visors.
- Handle the door visors with care. They are not designed to absorb shock or impact.
- This door visor kit should be installed only if the ambient air temperature is 15°C (60°F) or above.
- To allow the adhesive to cure, do not wash the vehicle for 24 hours.

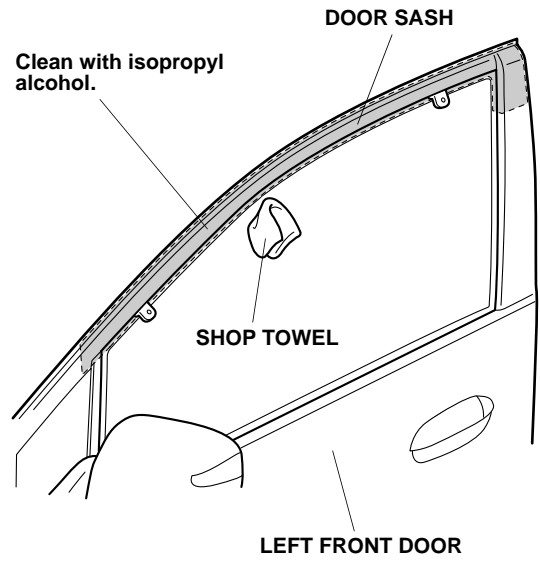
## Installing the Front Door Visor

1. Fully open the driver's window.
2. Pull down the door glass run channel in the areas shown.

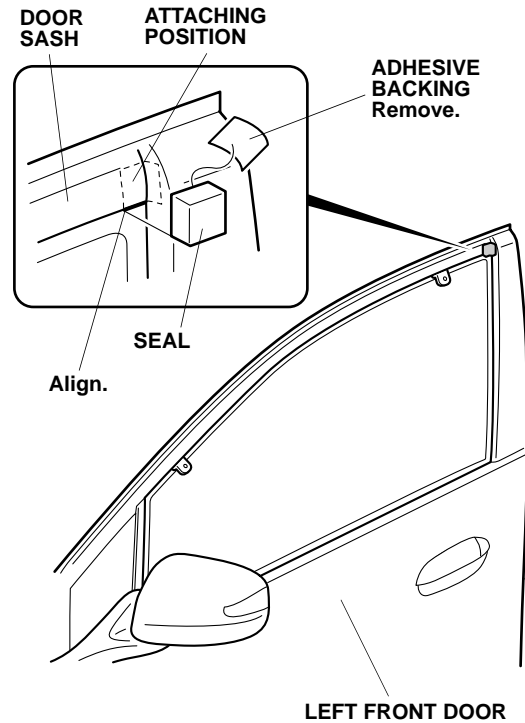


3. Install two brackets between the door sash and the run channel at the measurements shown. Then seat the door glass run channel properly around the brackets.

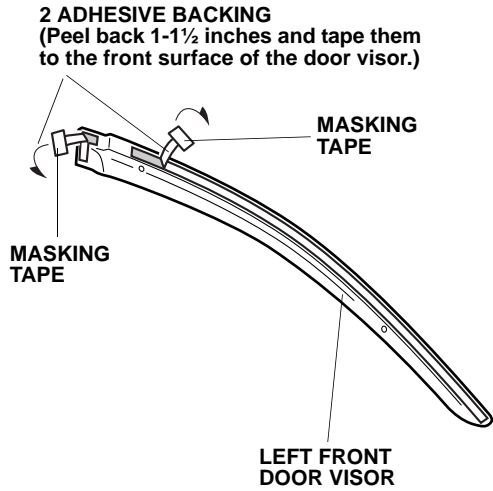
4. Using isopropyl alcohol on a shop towel, thoroughly clean the area where the left front door visor will attach.



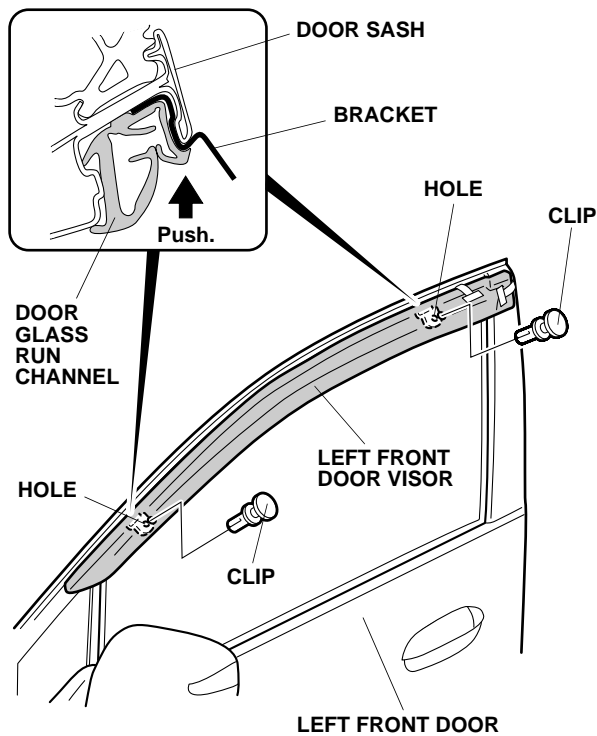
5. Remove the adhesive backing from the seal, and attach it to the door sash.



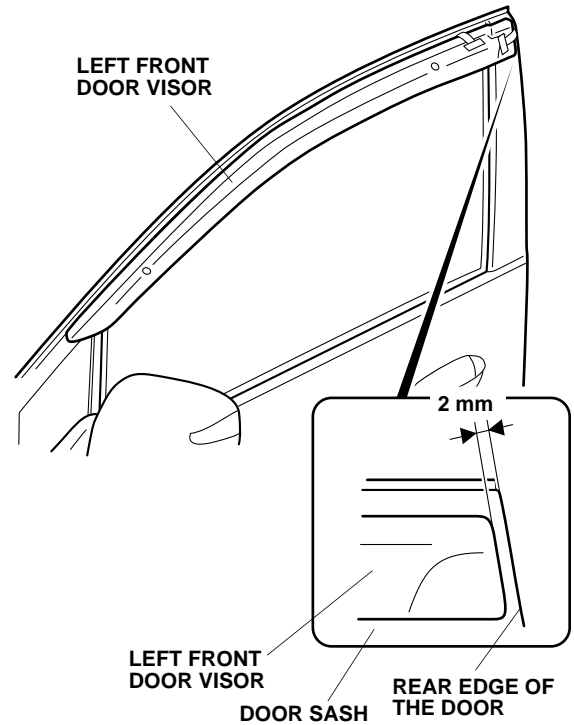
6. Peel back approximately 1-1½ inches of adhesive backing from each adhesive tape, and tape the ends to the front surface of the left front door visor.



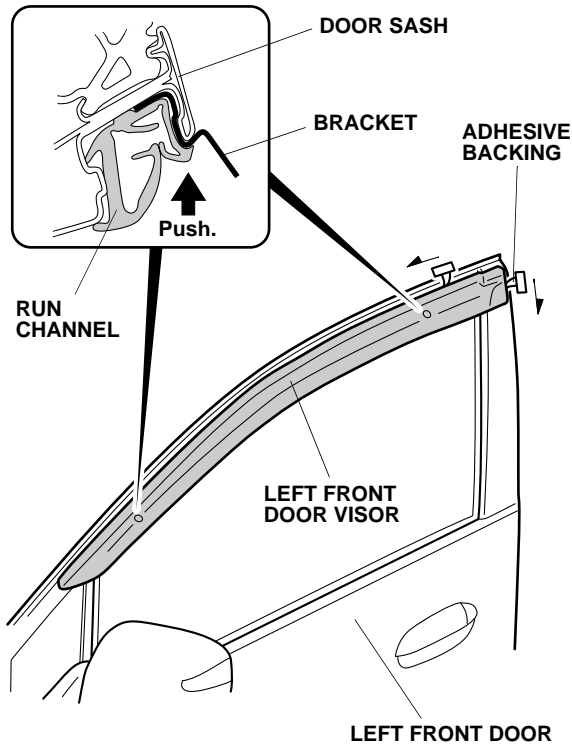
7. Align the clip holes in the visor with the bracket holes, and install two clips. There should be no clearance between the brackets and the door sash.



8. Adjust the left front door visor to the position shown.



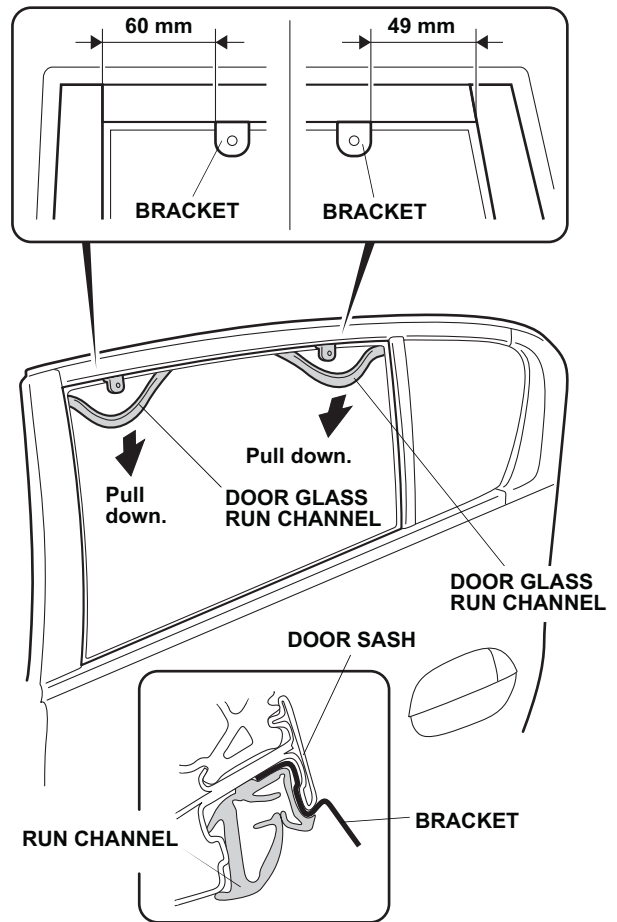
9. While holding the door visor up firmly and back against the rear edge, remove the adhesive backing. Use your finger to push up each bracket so there is no gap between the bracket and the door sash.



10. Using a soft towel, press and hold the door visor against the door sash for 30 seconds.

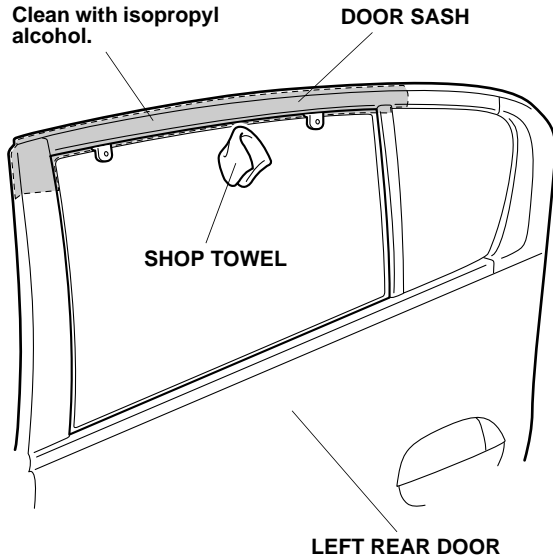
### Installing the Rear Door Visor

11. Fully open the left rear window.
12. Pull down the glass run channel in the areas shown.

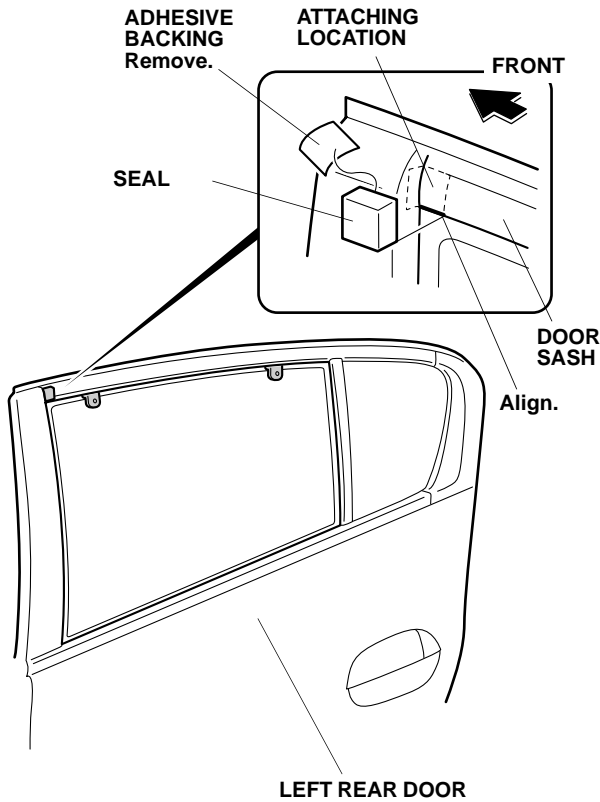


13. Install two brackets between the door sash and the run channel at the measurements shown. Then seat the run channel properly around the brackets.

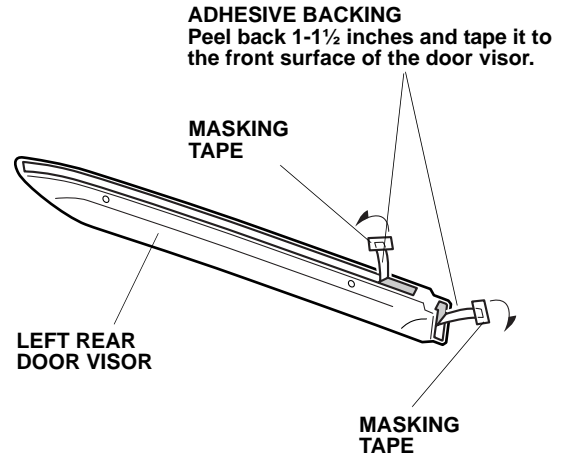
14. Using isopropyl alcohol on a shop towel, thoroughly clean the area where the left rear door visor will attach.



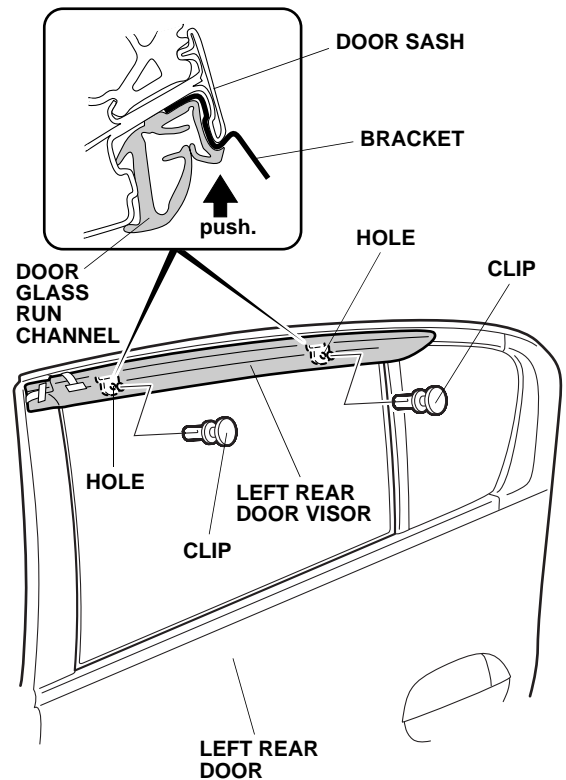
15. Remove the adhesive backing from the seal, and attach it to the door sash in the area shown.



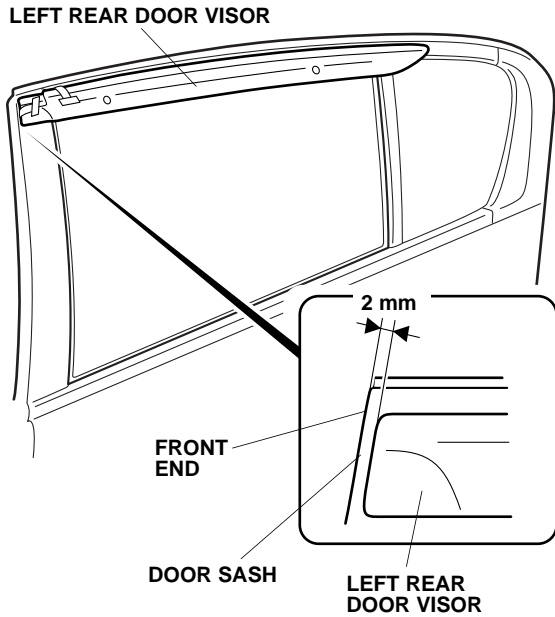
16. Peel back approximately 1-1½ inches of adhesive backing from each adhesive tape, and tape the ends to the front surface of the left rear door visor.



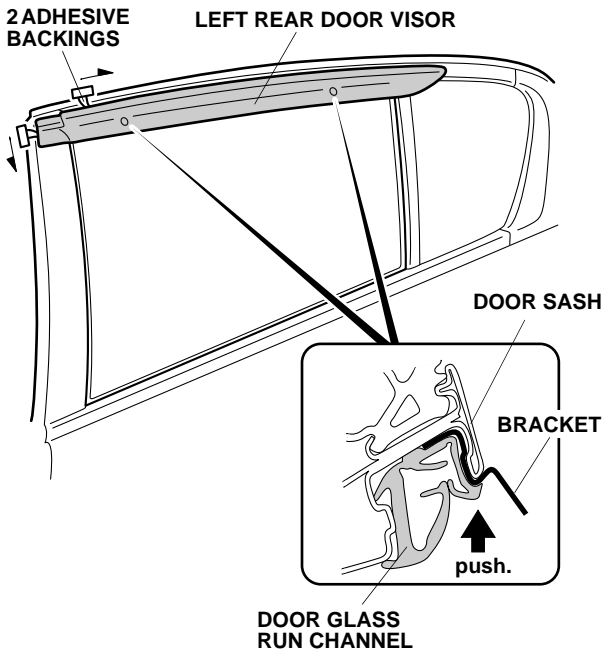
17. Align the clip holes in the visor with the bracket holes, and install two clips. There should be no clearance between the brackets and the door sash.



- Adjust the left rear door visor to the position shown.



- While holding the door visor up firmly, remove the adhesive backing. Use your finger to push up each bracket so there is no gap between the brackets and the door sash.



- Using a soft towel, press and hold the door visor against the door sash for 30 seconds.
- Repeat steps 1 through 20 to install the door visors on the right side of the vehicle.

## CONFIRMATION AFTER INSTALLATION

### RESTORATION OPERATIONS

- Start the engine.
- Using the power window switch, repeat opening and close the window from half-open to fully closed 10 times to allow the run channel to wear in. (The window should not bind.)
- If necessary, refer to the service manual to reset the power window. (If the automatic closing/opening does not function after the reset, reset again.)
- If necessary, refer to the service manual to carry out "learning" of the power window. (If the automatic closing/opening does not function after the learning, carry out "learning" again.)

NOTE: The operations in steps 3 & 4 should be done to all power windows having the automatic closing/opening function, to allow for proper functioning of the auto-reverse function after installing the door visors.

### USE AND CARE

Clean the door visors with mild detergent and water. Do not use organic solvents (thinners, benzene, alcohol, etc.) or cleaners containing any abrasive material.