



# INSTALLATION INSTRUCTIONS

Accessory  
**CARGO COVER**  
P/N 08Z07-TM8-110

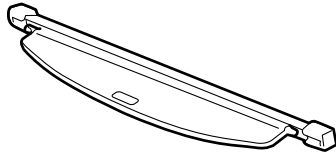
Application  
**2011 INSIGHT**

Publications No.  
**All 44897**  
Issue Date  
**NOV 2010**

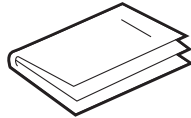
Put this instruction in the glove box with the vehicle owner's manual.

## PARTS LIST

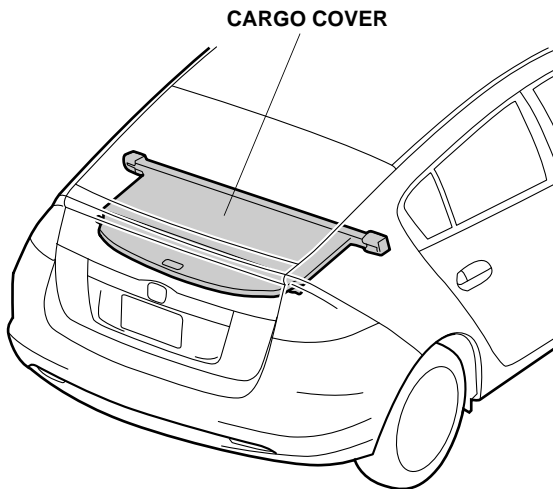
Cargo cover



Accessory User's Information Manual

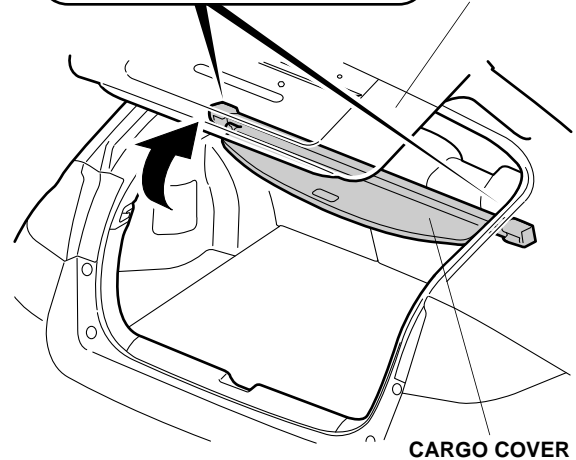
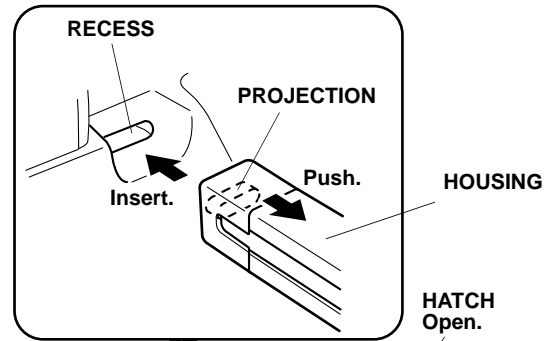


### *Illustration of the Cargo Cover Installed on the Vehicle*



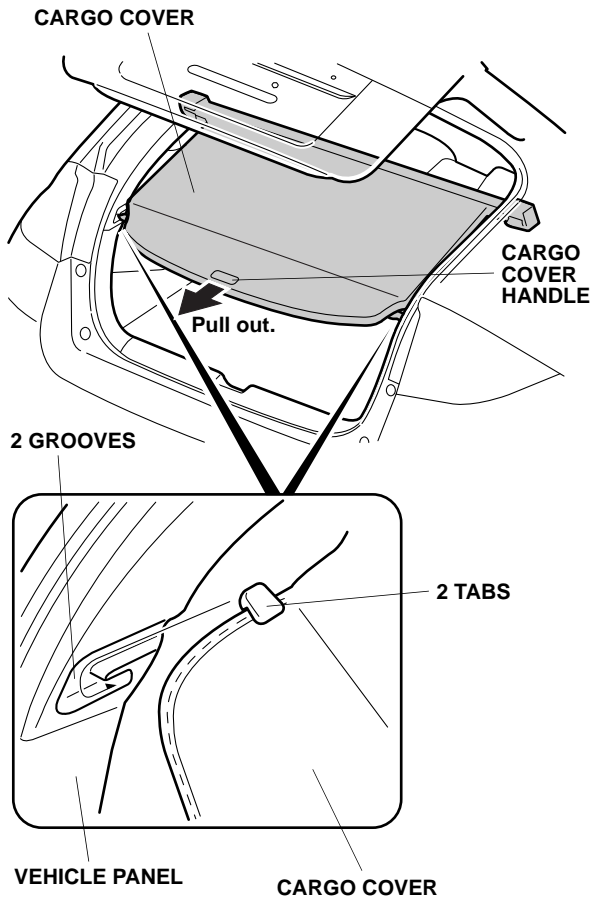
## INSTALLATION

1. Open the hatch, and locate the recess in the left and right rear side trim panels.



2. Insert the left end of the cargo cover into the recess in the left rear side trim panel. Push the end further into the recess, hold it in that position, then insert the right end into the recess in the right side trim panel.

3. Attach the right and left tabs to the grooves in the rear side trim panels.



### USE AND CARE

The cargo cover is spring-loaded and can snap in when released from the hooks. When you retract the cargo cover to the storage position, unhook, release, and retract the cover slowly.

### CLEANING THE CARGO COVER

Use a sponge or cloth and a solution of mild liquid dishwashing soap and water to clean the cargo cover, then wipe it dry with a clean cloth or sponge.