



INSTALLATION INSTRUCTIONS

Accessory SPLASH GUARDS P/N 08P00-TK6-100	Application 2011 FIT (BASE MODEL)	Publications No. All 45119
		Issue Date NOV 2010

PARTS LIST

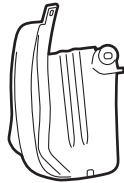
Right front splash guard



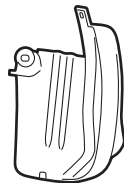
Left front splash guard



Right rear splash guard



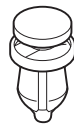
Left rear splash guard



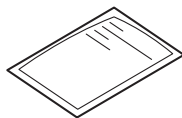
6 Self-tapping screws



4 Clips



Alcohol swab



TOOLS AND SUPPLIES REQUIRED

Stubby Phillips screwdriver

Stubby flat-tip screwdriver

Pushpin

Drill

3 mm and 10 mm Drill bits

Eye protection (face shield, safety goggles, etc.)

File

Masking tape

INSTALLATION

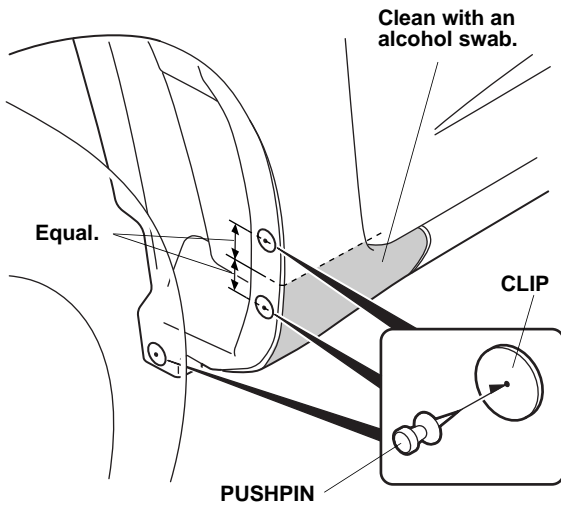
Customer Information: The information in this installation instruction is intended for use only by skilled technicians who have the proper tools, equipment, and training to correctly and safely add equipment to your vehicle. These procedures should not be attempted by "do-it-yourselfers."

NOTE:

- These instructions show the left splash guards being installed. The same procedure applies to installing the right splash guards.
- Clean and wax the areas to be covered. Use a high quality paste wax.

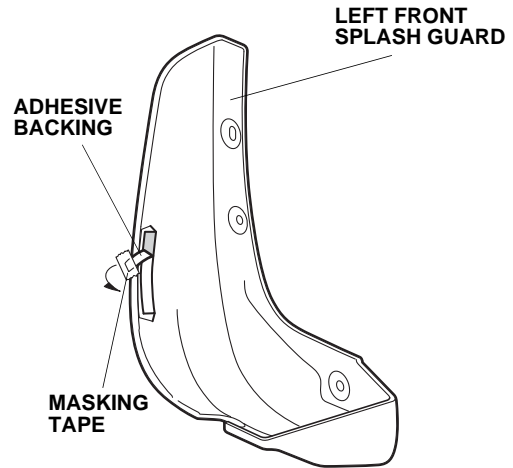
Installing the Front Splash Guards

1. Turn the steering wheel all the way counterclockwise.

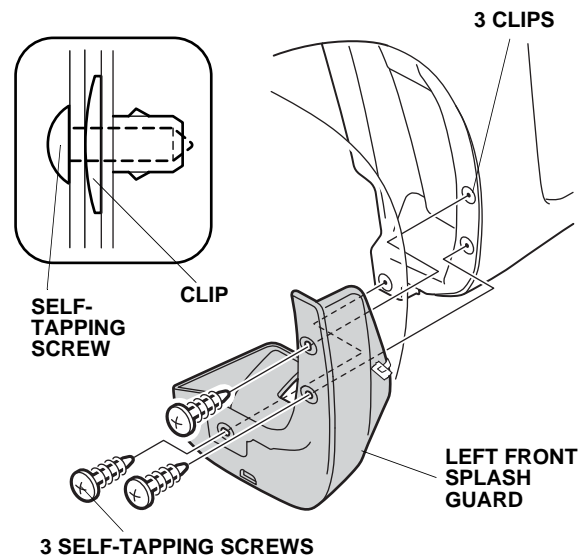


2. Using a pushpin, make small holes through the center of the three clips on the left front inner fender.
3. Clean the body in the area using an alcohol swab.

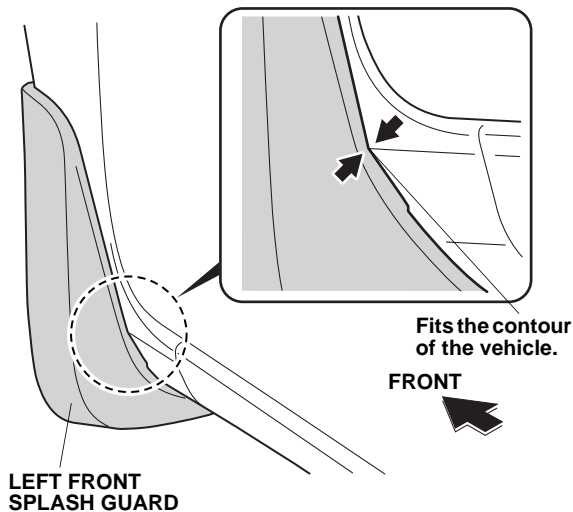
4. Peel back an end of the adhesive backing on the left front splash guard, and tape it to the front of the splash guard.



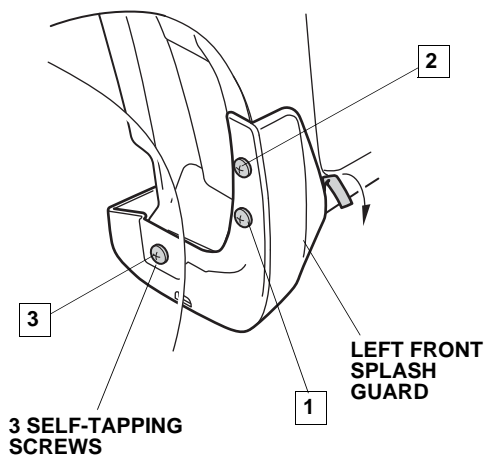
5. Loosely install the left front splash guard on the left front inner fender using three self-tapping screws.



6. Check that the left front splash guard fits the contour of the vehicle.



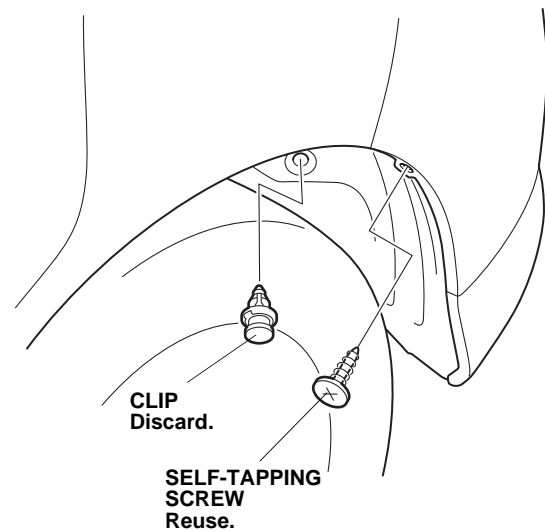
7. While pushing the left front splash guard firmly against the vehicle body, tighten the self-tapping screws securely in the order shown below. Make sure there is no gap between the left front splash guard and the vehicle.



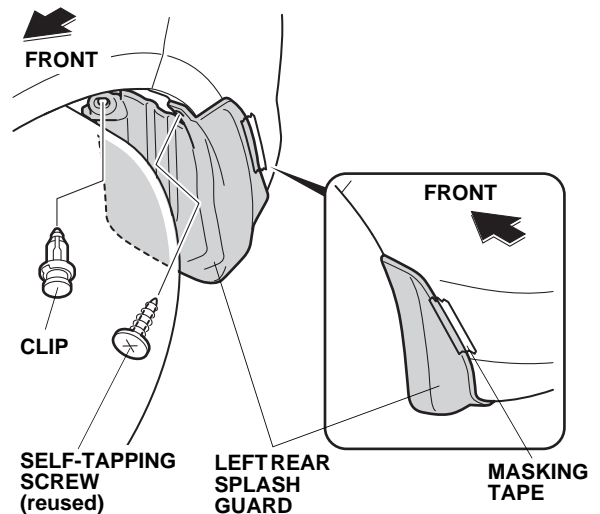
8. Remove the adhesive backing on the left front splash guard, and attach the left front splash guard by pushing it firmly with your hand.
9. Turn the steering wheel all the way clockwise and repeat the above steps 2 thru 8 to install the right front splash guard.

Installing the Rear Splash Guard

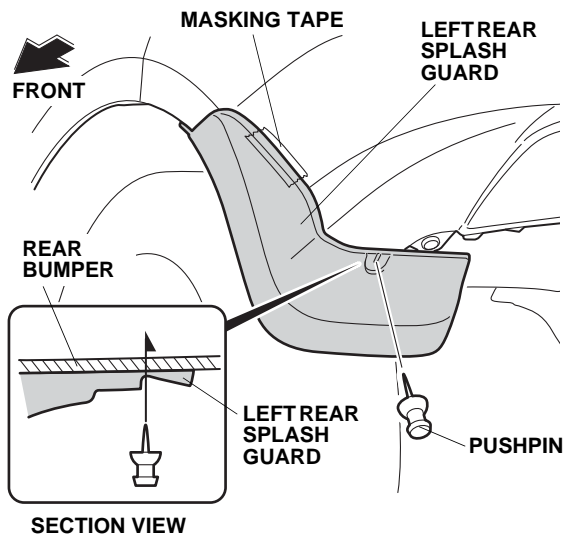
10. Remove one self-tapping screw (reuse) and one clip (discard) from the left rear inner fender.



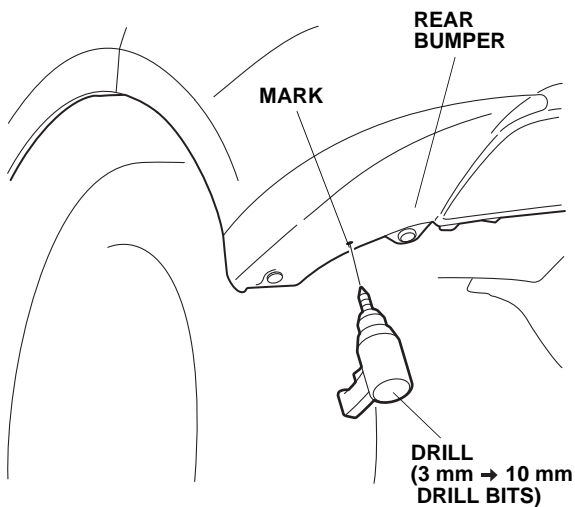
11. With the vehicle on a lift, temporarily install the left rear splash guard using one clip, the self-tapping screw from step 10, and a strip of masking tape. Make sure there is no gap between the left rear splash guard and the vehicle.



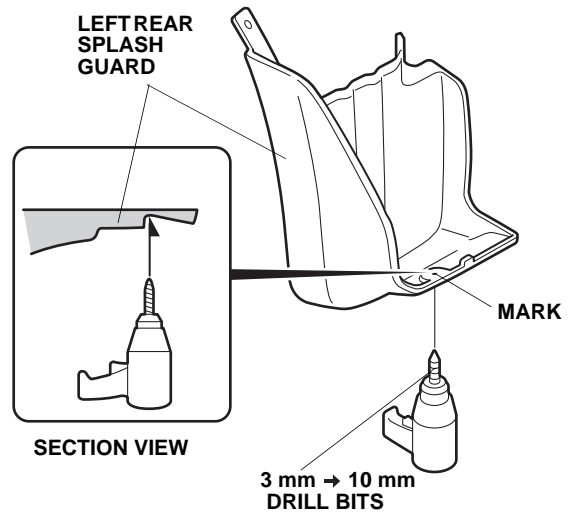
12. Using a pushpin, pierce the rear bumper at the mark through the left rear splash guard.



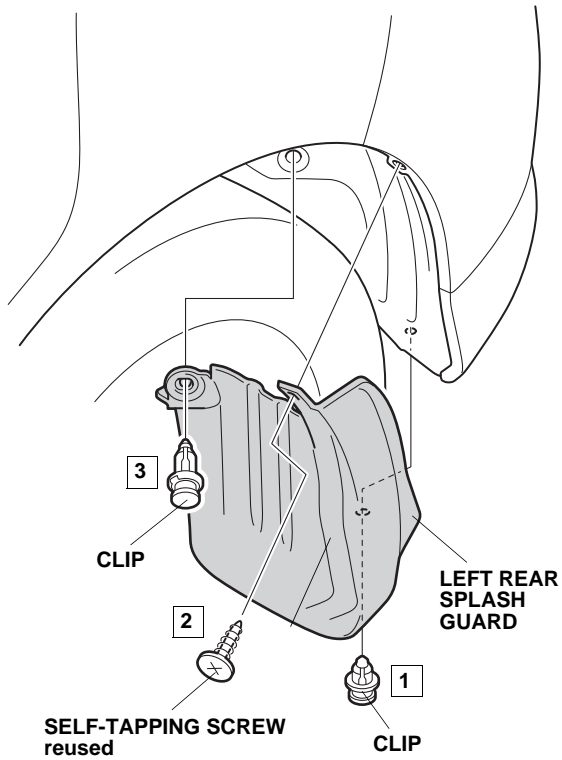
13. Remove the left rear splash guard.
14. While wearing eye protection, drill a 10 mm hole through the rear bumper at the pierced mark. First drill with a 3 mm drill bit, then finish with a 10 mm drill bit. Remove all burrs.



15. While wearing eye protection, drill a 10 mm hole through the left rear splash guard. First drill with a 3 mm drill bit, then finish with a 10 mm drill bit. Remove all burrs.



16. Install the left rear splash guard using the one self-tapping screw that you removed and two clips. Tighten the self-tapping screw and install the clips in the order shown below while pushing the left rear splash guard against the vehicle body.



17. Repeat steps 10 thru 16 to install the right rear splash guard.