



INSTALLATION INSTRUCTIONS

Accessory
CAR KENNEL

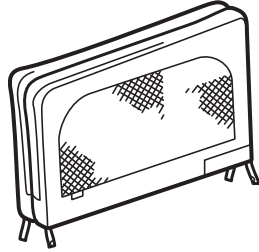
Application
**2011 ELEMENT
(DOG FRIENDLY PACKAGE)**

Publications No.
All 43469
Issue Date
OCT 2010

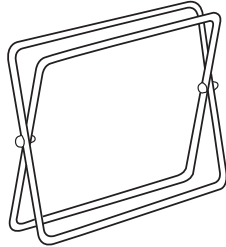
Put this information in the glove box with the vehicle owner's manual.

PARTS LIST

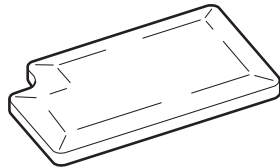
Car kennel



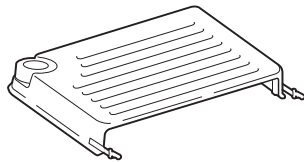
Kennel frame



Pet bed



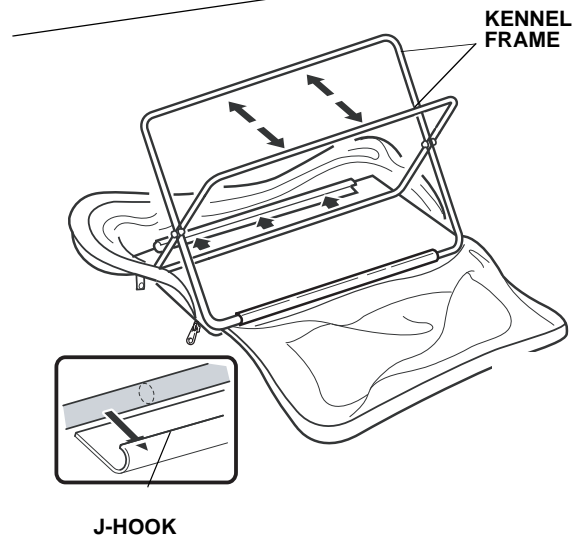
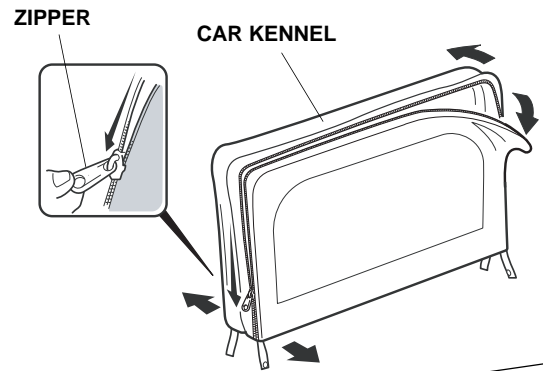
Kennel organizer



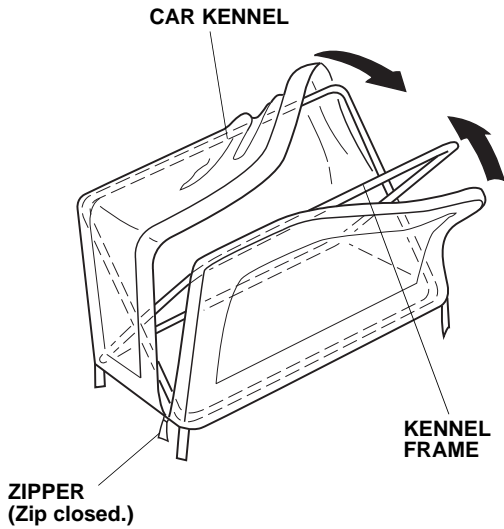
INSTALLATION

NOTE: Be extremely careful not to damage the interior trim.

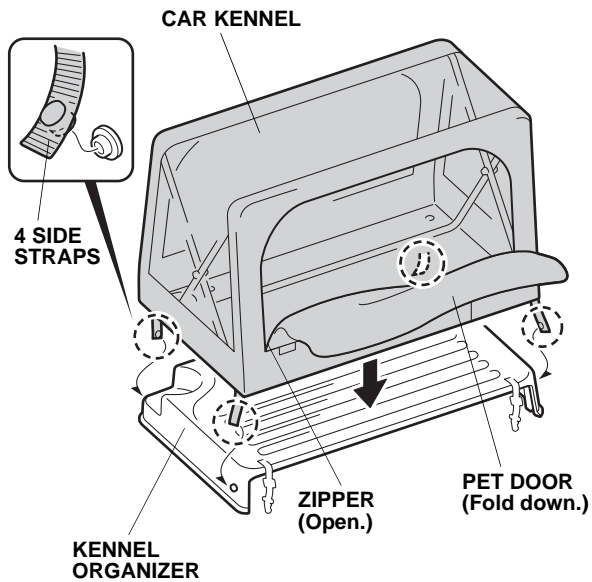
1. Open the zipper, and fold open the car kennel. Spread the frame apart, and slide the lower bars into the plastic J-hooks (one on each side).



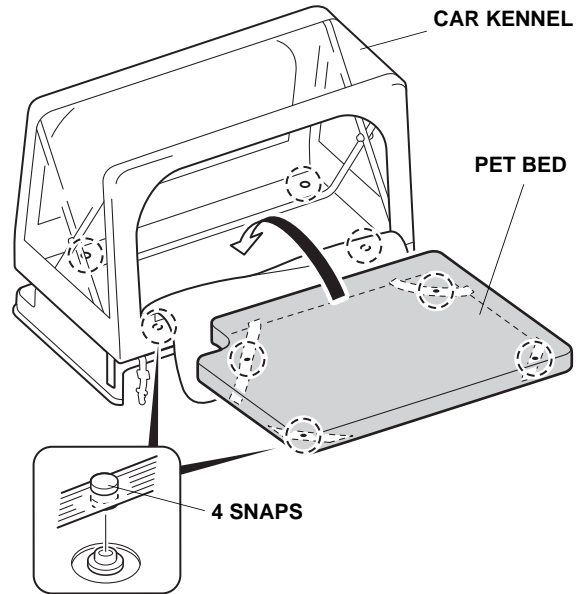
2. Wrap the car kennel around the kennel frame, and zip the kennel closed using the zipper.



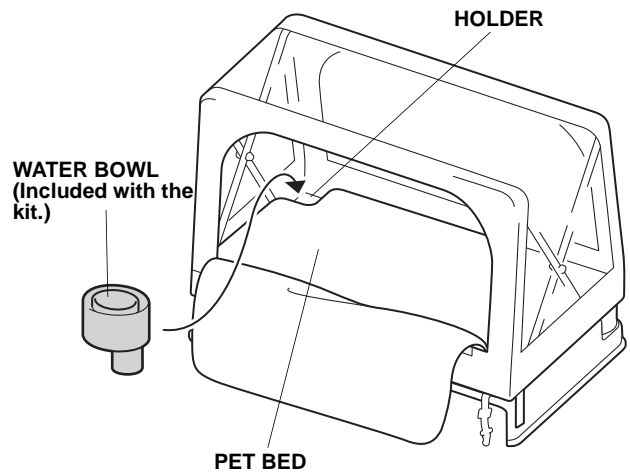
3. Unzip and fold down the pet door. In the bottom of the car kennel, snap the four side straps to the kennel organizer.



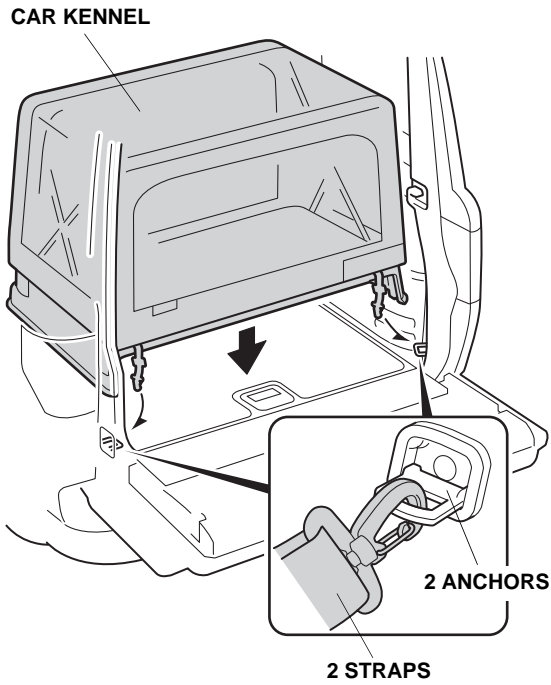
4. Insert the pet bed into the car kennel. Through the precut holes in the bottom of the kennel, snap the pet bed to the kennel organizer using the four snaps.



5. Get the water bowl. Insert the water bowl into the holder on the pet pad.



6. With the rear seats in the upright position, place the assembly into the cargo area. Attach the two hooks on the kennel organizer to the vehicle anchors. Tighten the straps as necessary.



USE AND CARE

Use a sponge or cloth and a solution of mild liquid dishwashing soap and water to clean the vinyl and the flannel backing. Rinse the pet bed completely with clean water, and hang it to dry, out of direct sunlight. Make sure the pet bed is completely dry before you reinstall it.