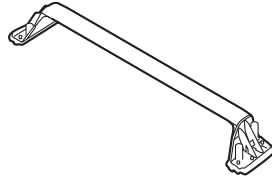
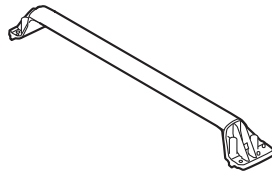


**PARTS LIST**

Front roof rack



Rear roof rack



Right front cover



Left front cover



Right rear cover



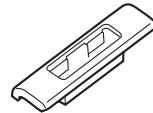
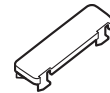
Left rear cover



8 Spacers



8 TORX nuts


 4 Rail covers  
(Give to your customer.)

 4 Rail cover caps  
(Give to your customer.)

 Special tool  
(Give to your customer.)

**TOOLS AND SUPPLIES REQUIRED**

Flat-tip screwdriver

T-30 TORX wrench

Torque wrench

Felt-tip pen

Shop towel

Tape measure

Plastic trim tool (T/N SILTRIMTL10)

Reciprocating saw (air saw) with 32 tpi blade

Snap-on: AT192A or equivalent

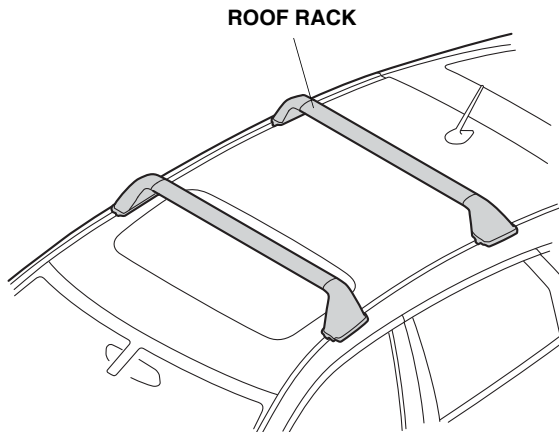
Eye protection (safety goggles, face shield, etc.)

Duct tape

Cardboard box (Approx. 120 mm tall)

Blanket

## Illustration of the Roof Rack Installed on the Vehicle



## INSTALLATION

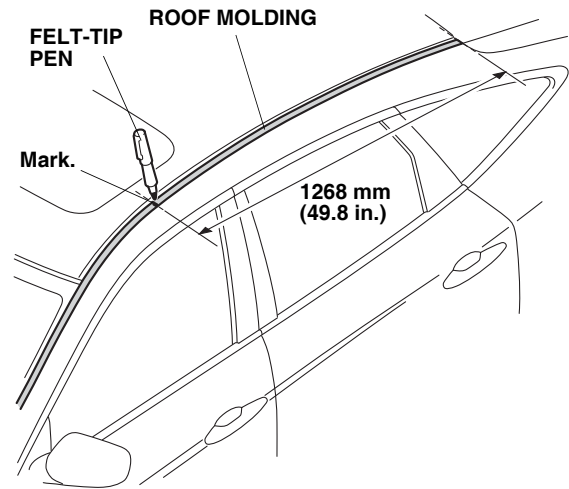
**Customer Information:** The information in this installation instruction is intended for use only by skilled technicians who have the proper tools, equipment, and training to correctly and safely add equipment to your vehicle. These procedures should not be attempted by "do-it-yourselfers."

### NOTE:

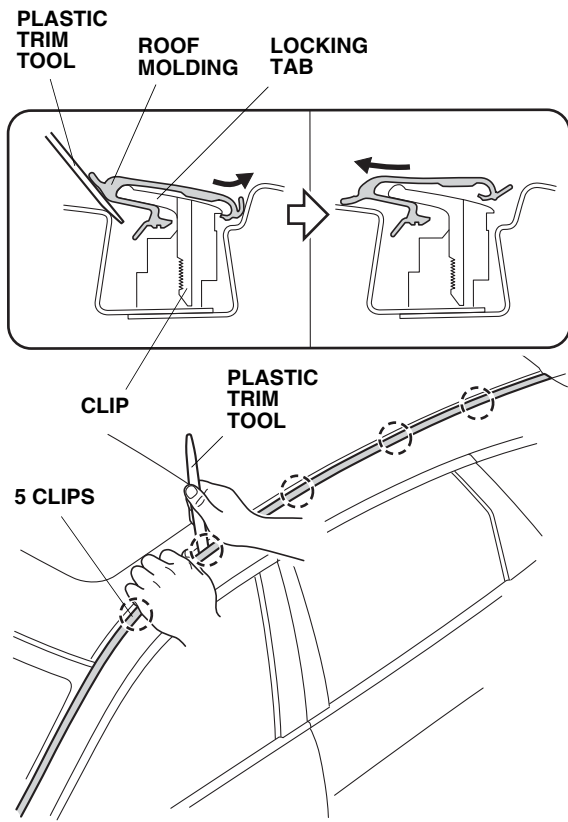
- Be careful not to damage the roof and other finished surfaces of the body when installing the roof rack.
- The weight of the cargo must not exceed the maximum weight capacity of 50 kg (110 lbs).
- Wipe the vehicle roof moldings clean before installing the roof rack.
- The roof rack cannot be installed with the moonroof visor.

## Modifying the Roof Molding

1. Measure forward from the rear of the roof molding, and mark the roof molding at the measurement shown.

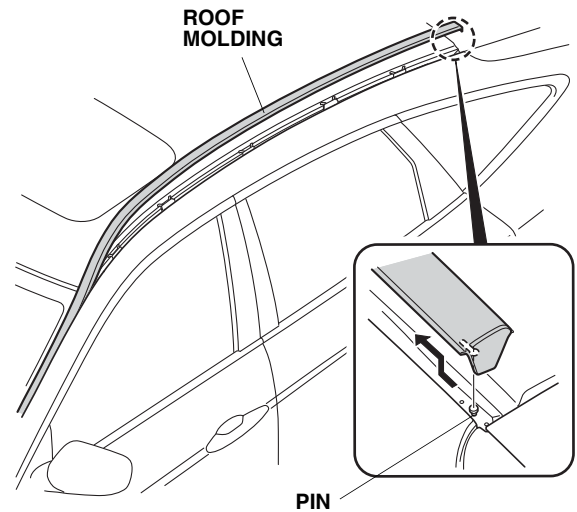


2. Using a plastic trim tool, pry up the edge of the roof molding in the areas shown.

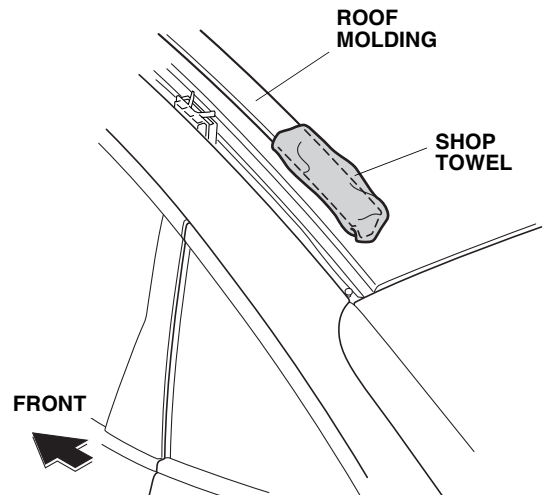


3. Pull the roof molding toward the outside of the vehicle to release the locking tabs, press the locking tabs towards the inside of the vehicle, and remove the roof molding from the vehicle. When removing the roof molding, start from the rear of vehicle and work toward the front.

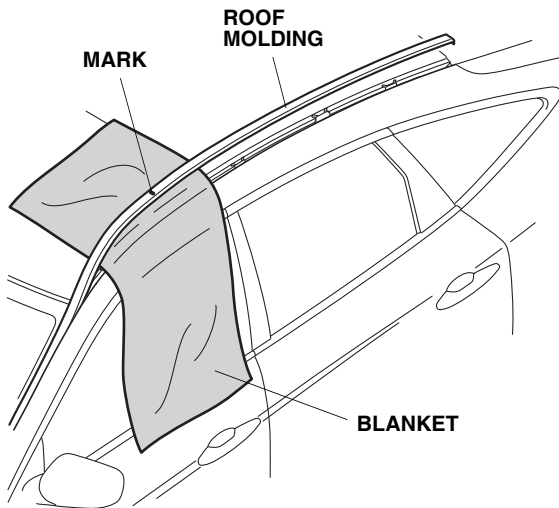
4. Release the pin.



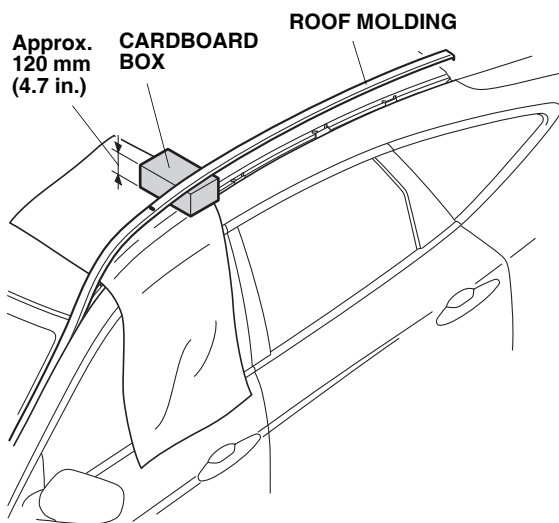
5. Tie a shop towel around the rear edge of the roof molding to avoid scratching the roof.



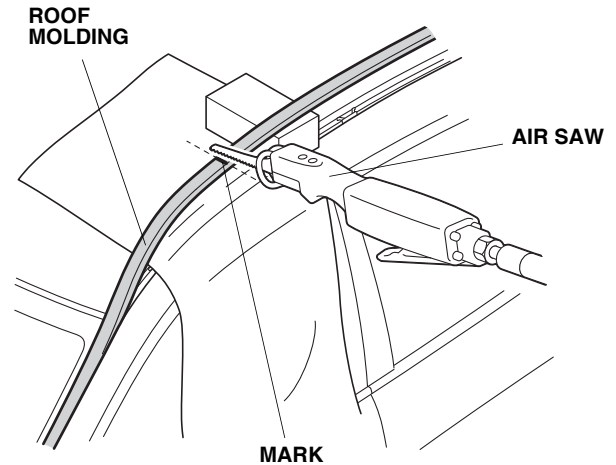
6. Place a blanket over the roof of the vehicle under the mark on the roof molding.



7. Place an empty cardboard box (approx. 120 mm tall) under the roof molding near the mark.

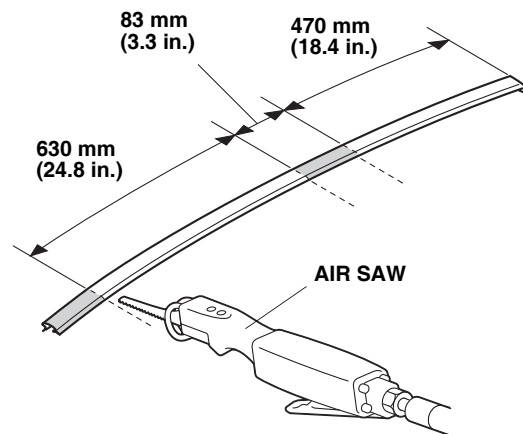


8. While wearing eye protection, use an air saw to cut the roof molding at the mark. Do not use a cutting wheel or shears to cut the roof molding, it will damage the roof molding. Have an assistant hold the rear edge near the shop towel while cutting.



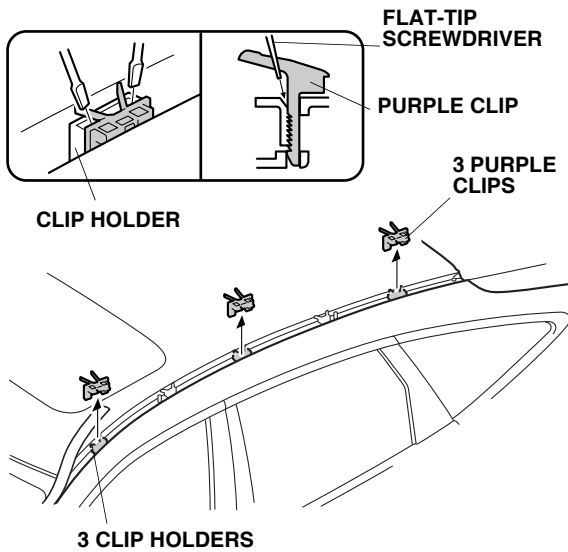
9. Remove the cardboard box and blanket.

10. Measure and mark the roof molding at the measurements shown.

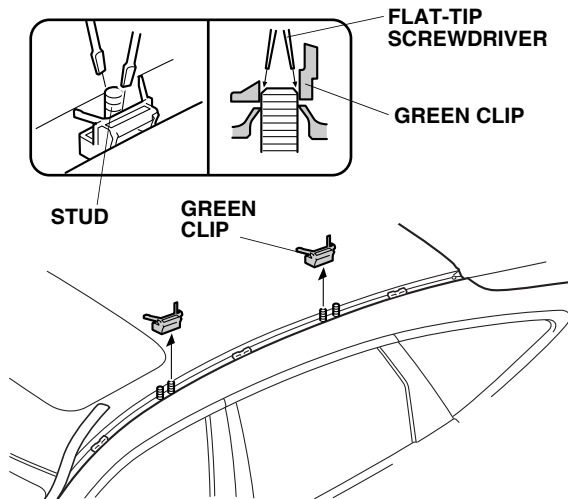


11. While wearing eye protection, use an air saw to cut the roof molding at each mark. Perform this step on a work bench.

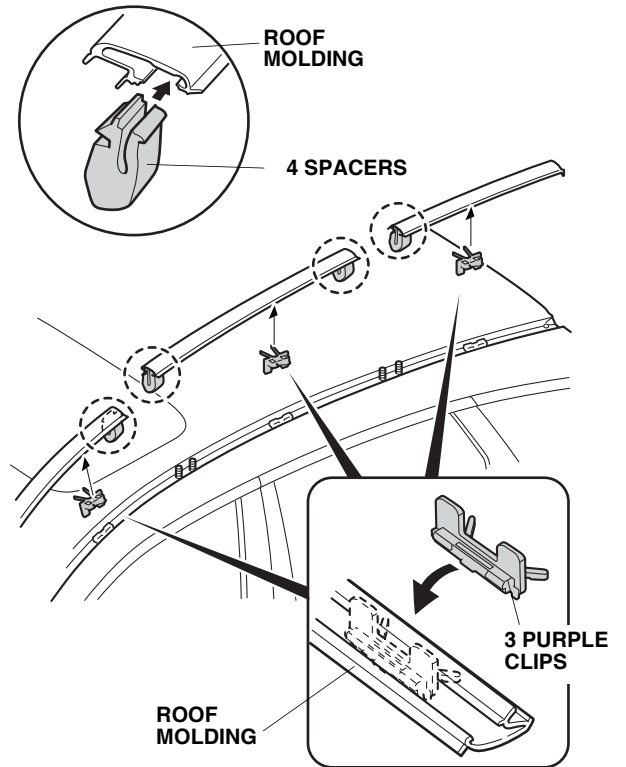
12. Insert flat-tip screwdrivers between the purple clip and the clip holder. Release the locking tab, and remove the purple clip. Remove all three purple clips.



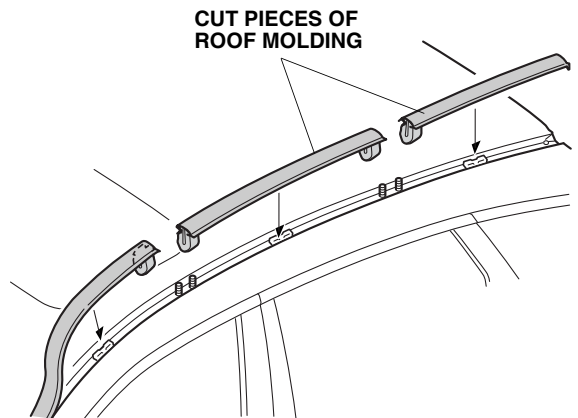
13. Insert flat-tip screwdrivers between the green clip and the stud. Remove both green clips.



14. Install four spacers and three purple clips into the cut pieces of the roof molding.



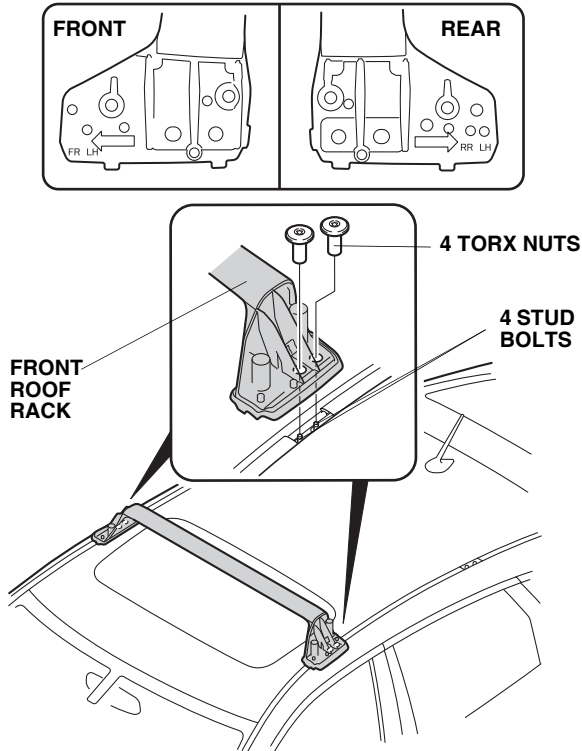
15. Reinstall the cut pieces of roof molding to the vehicle.



16. Repeat steps 1 thru 15 to modify the roof molding on the right side of the vehicle.

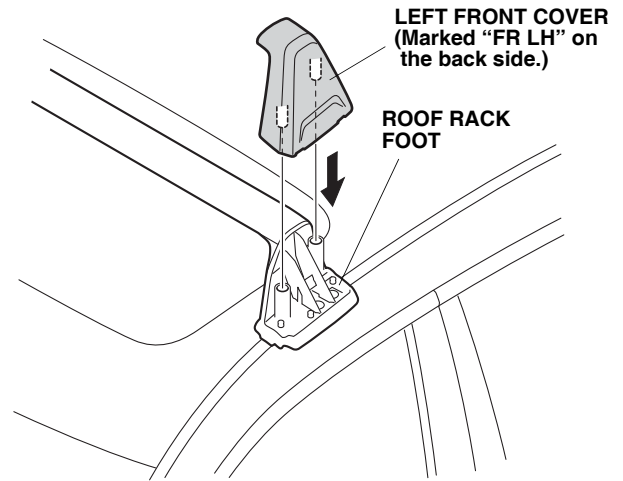
### Installing the Roof Rack

17. Place the front roof rack over the four stud bolts on the roof. Be sure the roof rack is placed in the correct position and direction by checking the LH/RH and arrow marks on the roof rack.



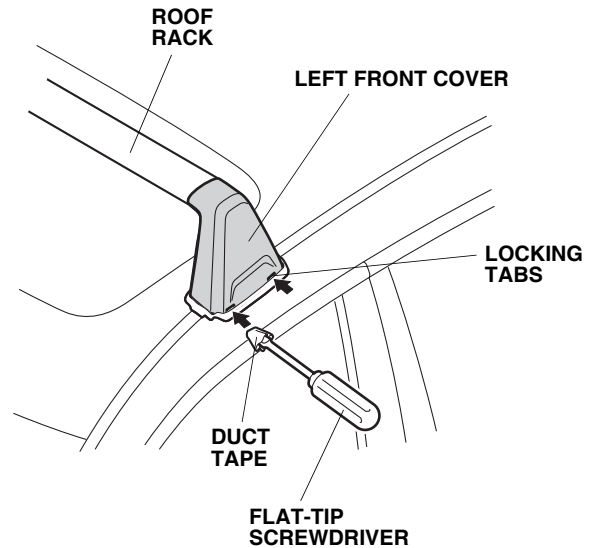
18. Install the front roof rack to the roof with four TORX nuts. Torque the TORX nuts to 10 N·m (7.4 lbf·ft).
19. Repeat steps 17 and 18 to install the rear roof rack.

20. Install the front and rear covers to the roof rack foot.



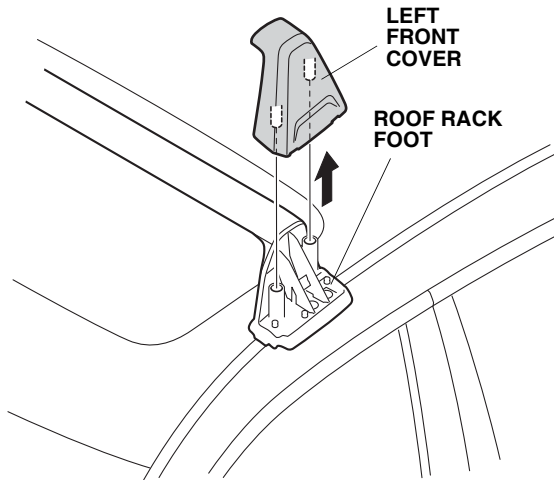
### Removing the Roof Rack

21. Using a flat-tip screwdriver wrapped with duct tape, push in on the locking tabs of the left front cover to release it.

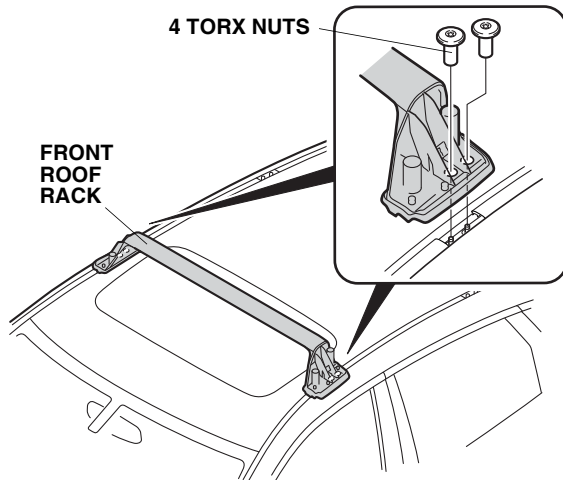


**Give a copy of this page to your customer.**

22. Remove the left cover. Remove the right front cover the same way.

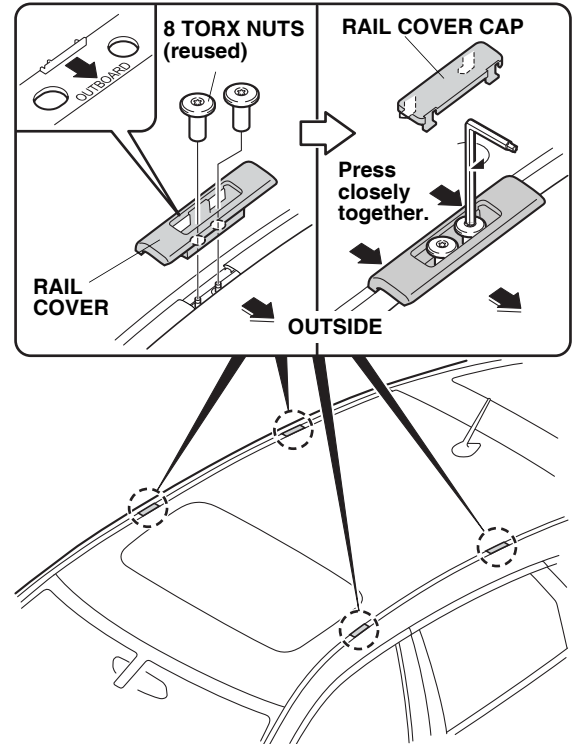


23. Remove four TORX nuts. Remove the front roof rack.



24. Repeat steps 22 and 23 to remove the rear roof rack.

25. Using the eight TORX nuts, install the rail covers on the roof. Make sure the rail cover is placed in the correct position and direction by checking the arrow on the outside of the cover.



26. Snap the rail cover cap onto the rail cover. Pull the rail cover outward, and align the cover with the roof molding.

**USE AND CARE**

- Check the roof rack mounting bolts frequently, and re-tighten if necessary.
- Distribute the weight of the cargo evenly, and do not exceed the maximum weight capacity of 50 kg (110 lbs).