



INSTALLATION INSTRUCTIONS

Accessory
ALUMINUM WHEEL
P/N 08W17-SNA-101A

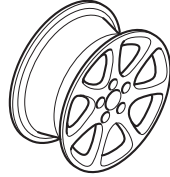
Application
2011 CIVIC
2- AND 4-DOOR

Publications No.
All 44337

Issue Date
AUG 2010

PARTS LIST

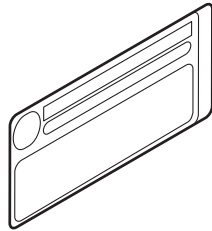
Aluminum wheel
(The illustration may differ from the actual wheel.)



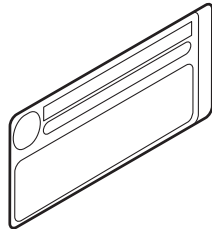
Center cap



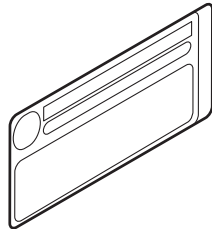
Tire pressure caution label



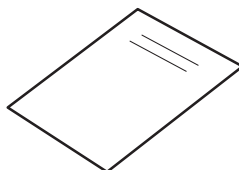
Tire pressure caution label C



Tire pressure caution label D

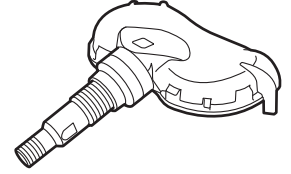


Supplemental Information



Parts for TPMS sensor assembly

Tire pressure sensor



Washer



Valve cap
(The valve cap may be assembled the tire pressure sensor.)



Valve nut



TOOLS AND SUPPLIES REQUIRED

Ratchet
11 mm Socket
Torque wrench
Isopropyl alcohol
Shop towel
HDS (Honda Diagnostic System)
Snap-on TPMS sensor initializer tool

SPECIFICATIONS

Models not equipped with standard 17" wheels:

Rim size	17 x 7 J (offset 45)	
Tire side	215/45ZR17 91W	
Bolt hole PCD	114.3 (5 holes)	
Tire pressure	Front	220kPa (2.2 kgf/cm ² , 32 psi)
	Rear	220kPa (2.2 kgf/cm ² , 32 psi)

Models equipped with standard 17" wheels:

Refer to the owner's manual.

INSTALLATION

Customer Information: The information in this installation instruction is intended for use only by skilled technicians who have the proper tools, equipment, and training to correctly and safely add equipment to your vehicle. These procedures should not be attempted by "do-it-yourselfers."

NOTE:

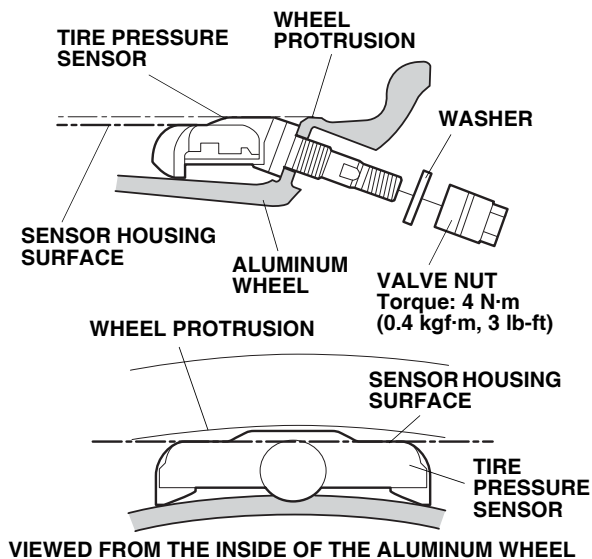
- This aluminum wheel is designed for use on a vehicle equipped with TPMS (Tire Pressure Monitoring System).
- This aluminum wheel is equipped with a TPMS sensor. See the service manual for the tire replacement procedure and TPMS sensor installation procedure.
- The illustration of the aluminum wheels are shown for reference purposes only.
- Install the correct size tire.
- Use a tire changer to remove and install the tires. Using a tire lever to remove and install the tires can damage to the tire, the wheel, and the TPMS sensor.
- The wheel nut torque is 108 N·m (11 kgf·m, 80 lb-ft)
- The standard wheel nuts can not be used with the aluminum wheels. Replace them with the correct wheel nuts which are sold separately.

for wheels with cap

for aluminum wheels



1. Clean the mating surface and the valve hole in the aluminum wheel.



2. Install the tire pressure sensor and the washer to the aluminum wheel, and loosely install the valve nut. Make sure the pressure sensor is resting on the wheel.

NOTE: Install the tire pressure sensor so that the sensor housing surface does not stick above the wheel protrusion to prevent the sensor housing from being caught by the bead of the tire when installing the tire.

3. Tighten the valve nut to the specified torque while holding the tire pressure sensor toward the wheel. Tightening torque: 4 N·m (0.4 kgf·m, 3 lb-ft)

NOTE:

- Do not reuse a grommet that had been tightened, even one time, to the specified torque, as it is deformed inside.
- Do not use pneumatic or electric tools on the valve nut.
- Tightening the nut above the specified torque can damage the grommet.

4. Install the tires according to the instructions in the service manual.

5. Install the wheels on the vehicle and torque to 108 N·m (11 kgf·m, 80 lbf-ft).

Models equipped with standard 17" wheels.

Tire pressure caution label and Supplemental Information are not used.

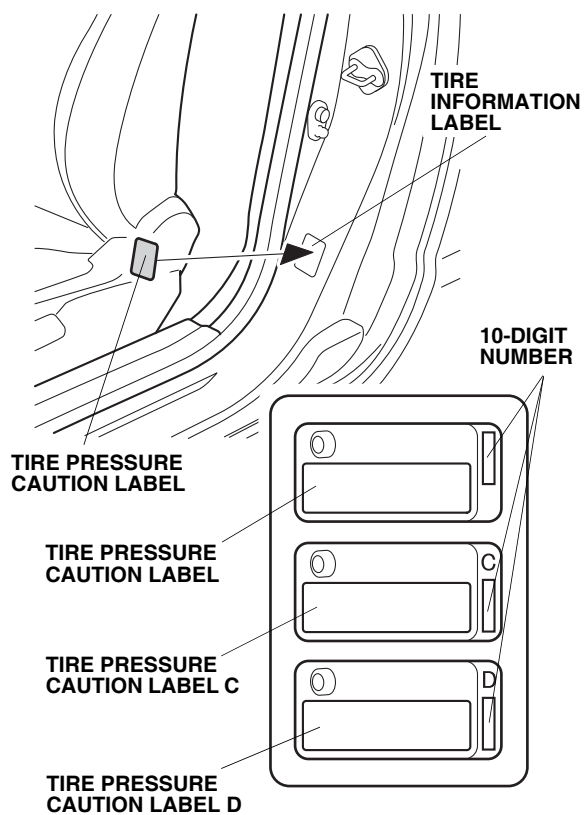
Perform steps 6 and 7 for models not equipped with standard 17" wheels.

6. Open the driver's door. Using isopropyl alcohol, clean the area where the accessory tire pressure caution label will attach. Remove the backing from the label and attach it over the existing tire information label. Attach the tire pressure caution label or label C or label D according to the following information:

Label: For EX-L Model with a T125/70D15 95M

Label C: For EX-L Model with a T135/80R16 101M

Label D: For EX-L Model with a T135/80D16 101M



7. Attach the "Supplemental Information" page included in this kit to the owner's manual. To attach the page, refer to "To the dealer:" attached to the "Supplemental Information" page.

MEMORIZING THE TIRE PRESSURE SENSOR ID

- Using the HDS and Snap-on TPMS sensor initializer tool, memorize the ID of tire pressure sensor ID according to the instructions in the service manual (Memorizing the Tire Pressure Sensor ID).

