



# INSTALLATION INSTRUCTIONS

Accessory

CD CHANGER

Application

2011 CIVIC  
2-DOOR Si

Publications No.

All 44368

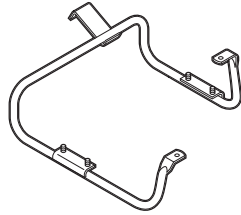
Issue Date

AUG 2010

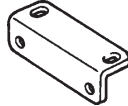
## PARTS LIST

CD Changer Attachment (sold separately):  
P/N 08B26-SVA-100

CD changer bracket



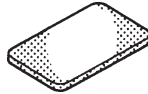
2 Side brackets



3 Clip nuts



3 EPT seals



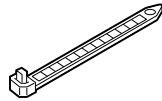
3 Washer-bolts



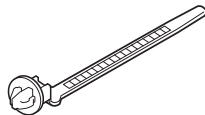
4 Flange nuts



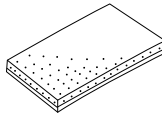
15 Wire ties



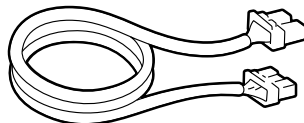
2 Wire ties with clip



9 Cushion tapes



Bus cable

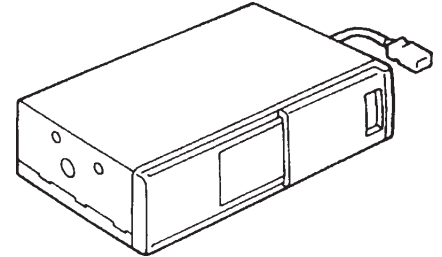


4 Washer screws

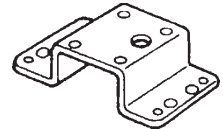


CD Changer Kit (sold separately):  
P/N 08A26-5E1-100

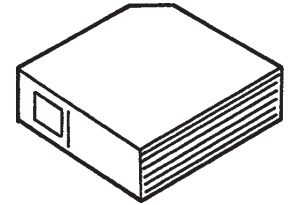
CD changer



Bracket



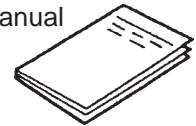
8-Disc CD magazine



8 Washer-screws, 4 x 6 mm



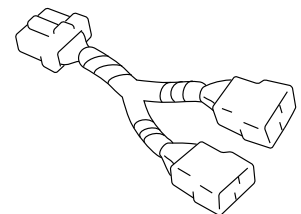
Accessory User's Information Manual



If equipped with XM® radio system

Bus Cable 2 Port (sold separately):  
P/N 08A31-0F1-000

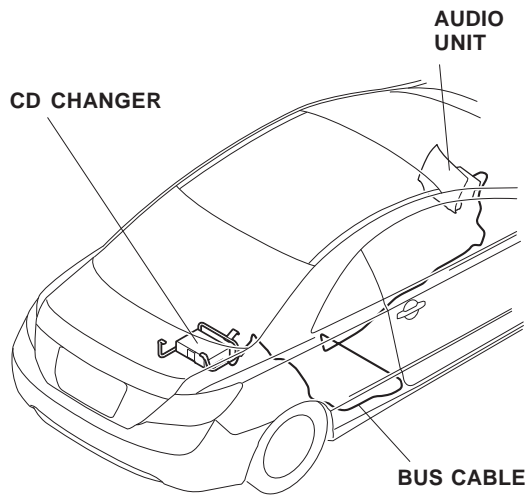
Bus cable 2 Port



## TOOLS REQUIRED

Phillips screwdriver  
Flat-tip screwdriver  
Stubby Phillips screwdriver  
8 mm, 10 mm, and 14 mm Combination wrenches  
Clip remover  
8 mm, 10 mm, and 14 mm Sockets  
Ratchet  
Small flat-tip screwdriver  
Contact cleaner  
Shop towel  
Masking tape

## Illustration of the CD Changer Installed on the Vehicle

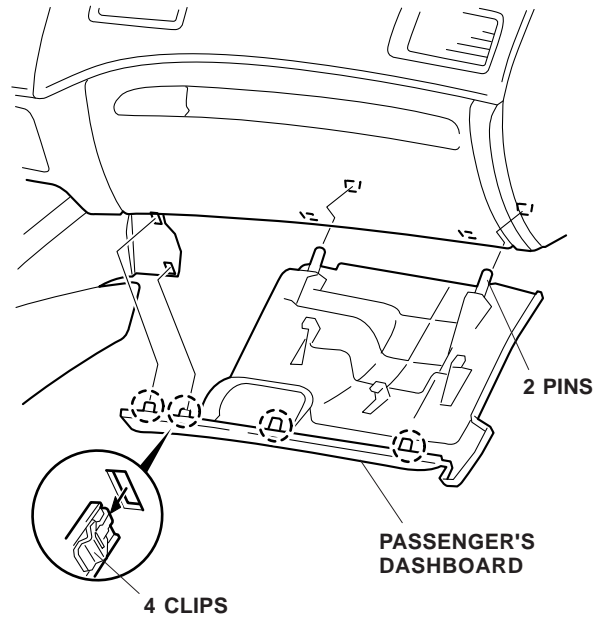


## INSTALLATION

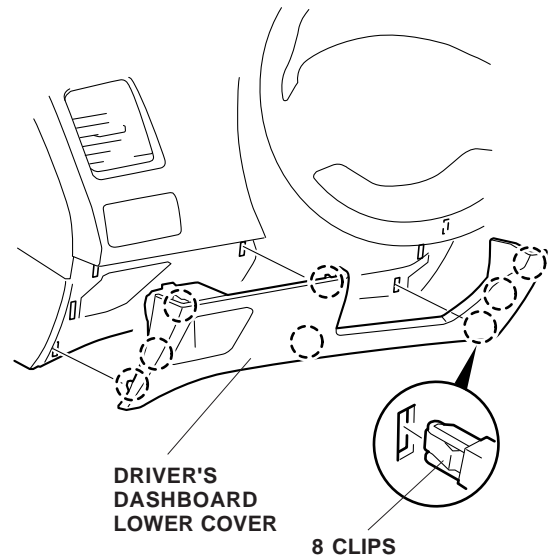
**Customer Information:** The information in this installation instruction is intended for use only by skilled technicians who have the proper tools, equipment, and training to correctly and safely add equipment to your vehicle. These procedures should not be attempted by "do-it-yourselfers."

1. Make sure you have the anti-theft codes for the audio unit and navigation system (if equipped), then write down the radio station presets.
2. Disconnect the negative cable from the battery.

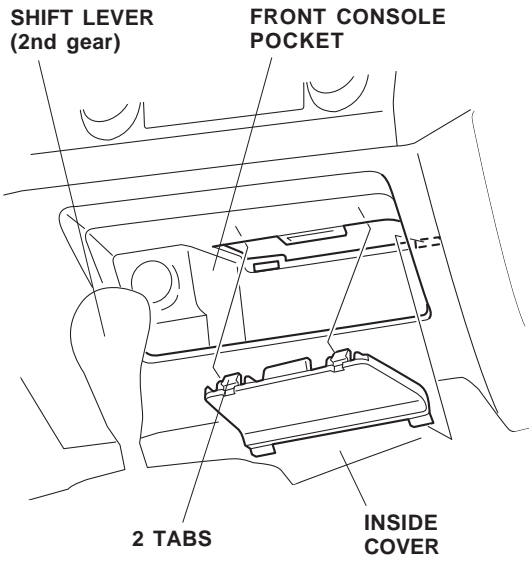
3. Remove the passenger's dashboard lower cover (four clips and two pins).



4. Remove the driver's dashboard lower cover (eight clips).

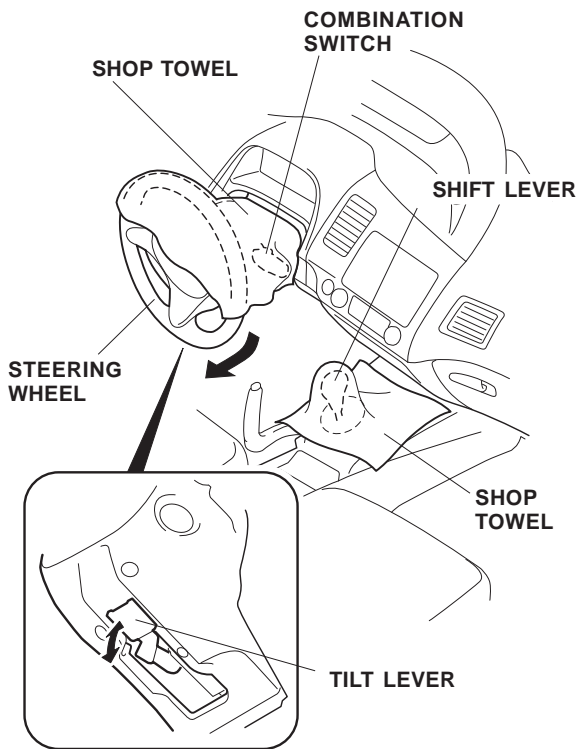


- Remove the inside cover from the front console pocket (two tabs).

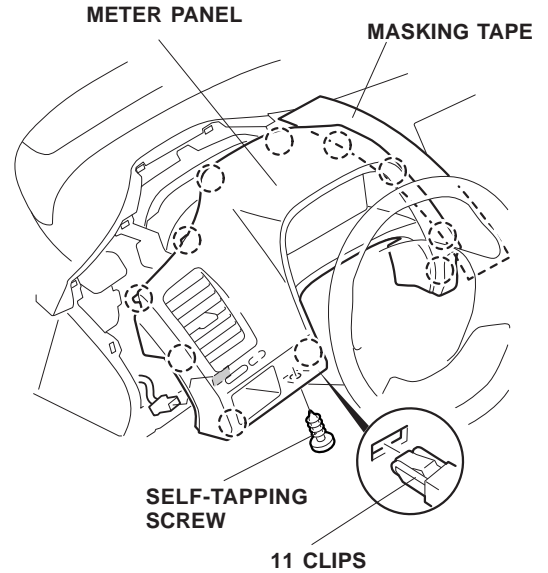


5202130T

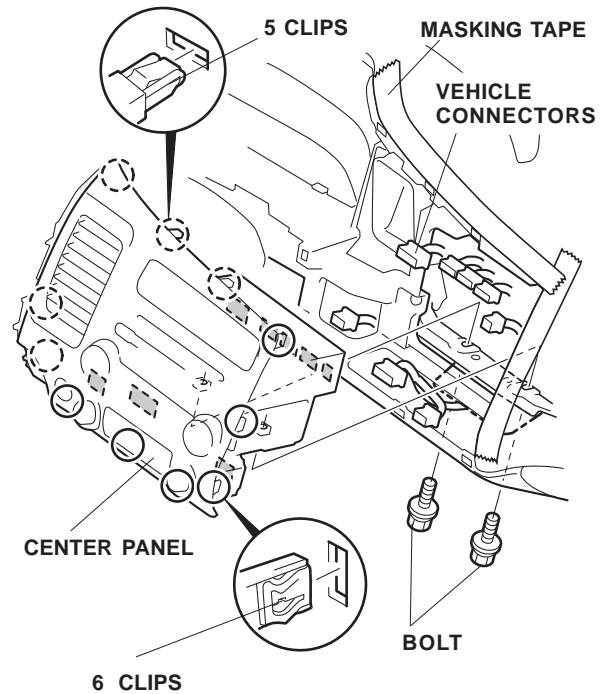
- Lower the steering wheel lever and pull the steering wheel toward you.



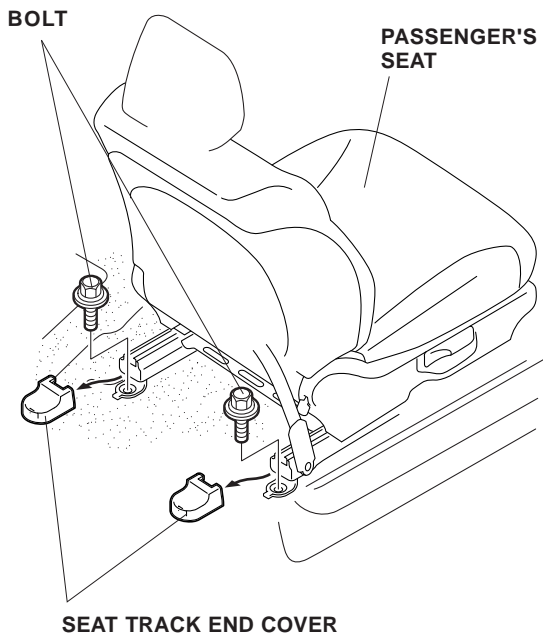
- To protect the dashboard area, place shop towels over the steering wheel and shift lever.
- Apply masking tape to the instrument panel as shown, and remove the instrument panel (one self-tapping screw, 11 clips, and one connector).



- Apply masking tape to the instrument panel as shown, and remove the center panel (two bolts, 10 clips, and unplug the vehicle connectors).

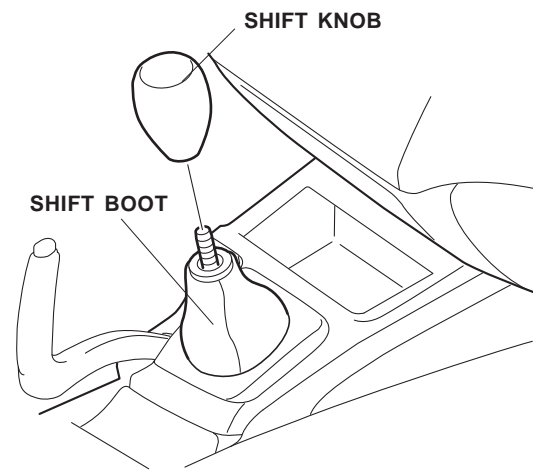


10. Remove the two seat track end covers from the rear of the passenger's seat, then remove the two bolts that secure the passenger's seat.

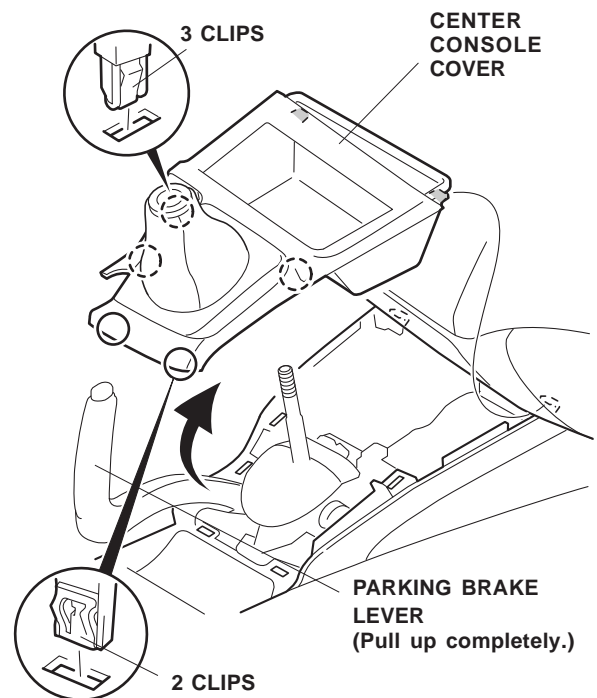


11. Remove the center console cover:

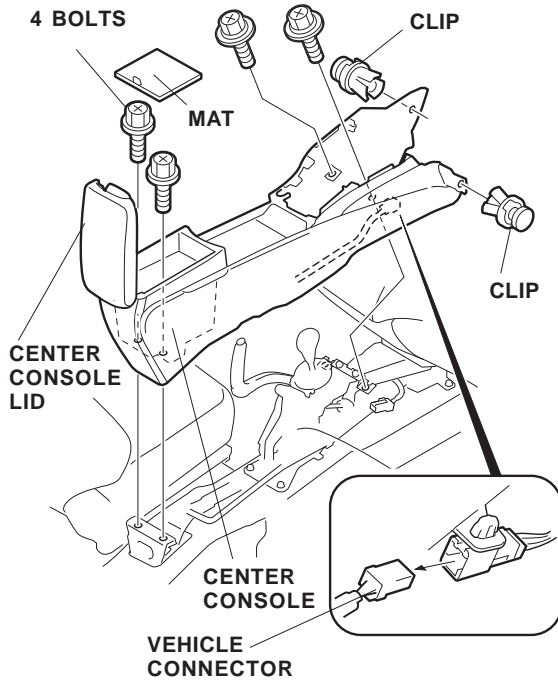
- Pull down on the shift boot. Remove the shift knob by turning it counterclockwise.



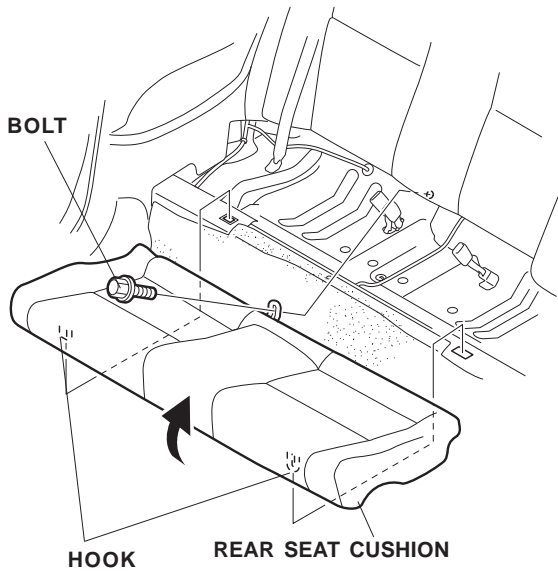
- Remove the center console cover by removing the five clips fastening the center console cover.



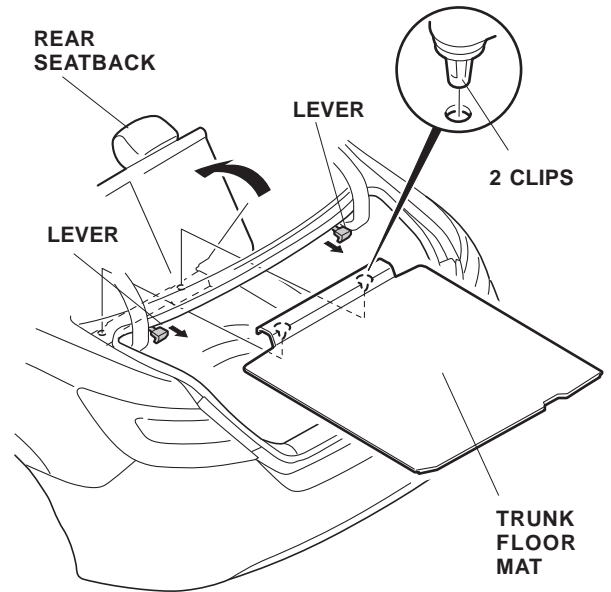
12. Open the center console lid, and remove the mat.



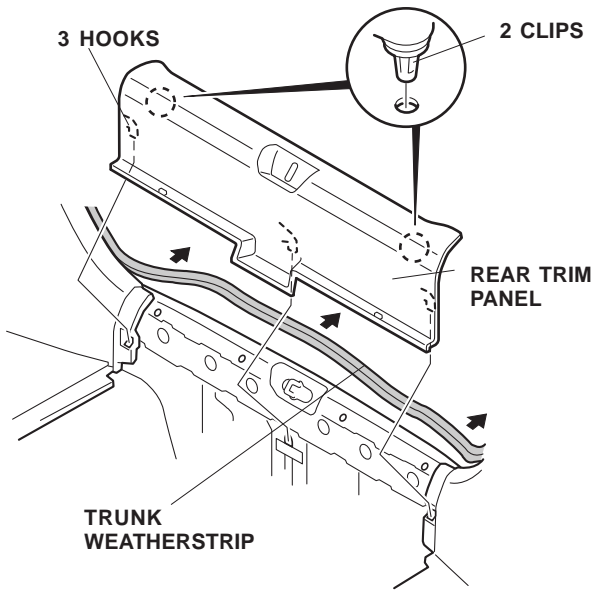
13. Remove the center console (four bolts, two clips, and the vehicle connector).
14. Inside the passenger's compartment, remove the rear seat cushion by removing the bolt and releasing the two hooks.



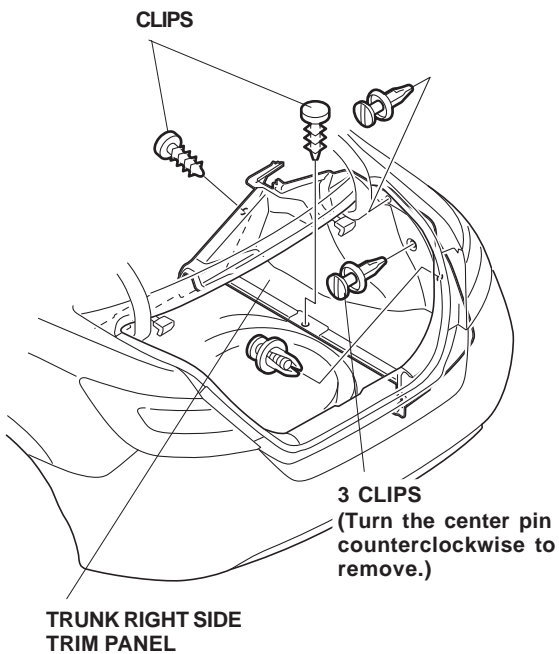
15. Open the trunk lid. Fold the rear seatback forward by pulling the levers under the rear parcel shelf. Remove the trunk floor mat (two clips).



16. Remove the trunk weatherstrip from the edge of the trunk opening in the area shown.

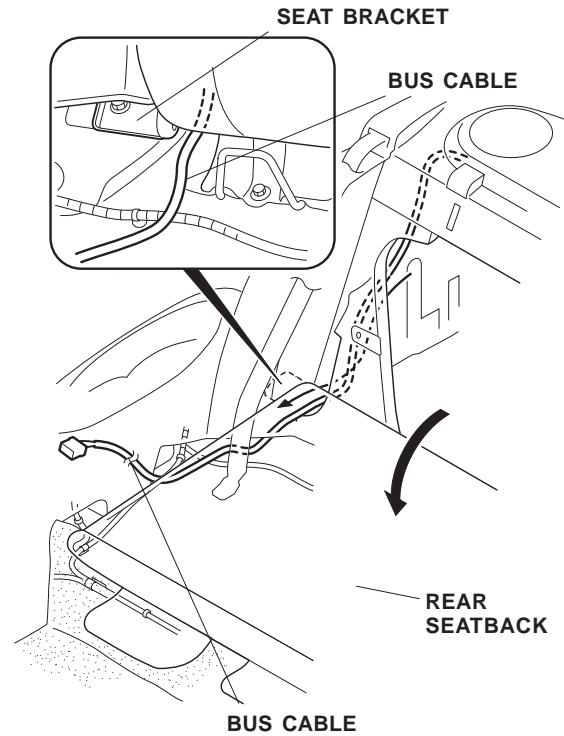


17. Remove the rear trim panel (two clips and three hooks).
18. Continue removing the weatherstrip in the area shown. Remove the five clips, then pull out on the trunk right side trim panel in the direction shown.

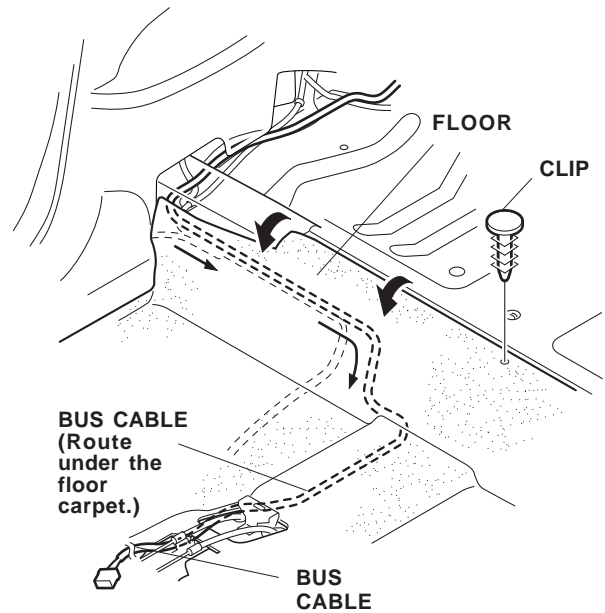


## Routing the Bus Cable

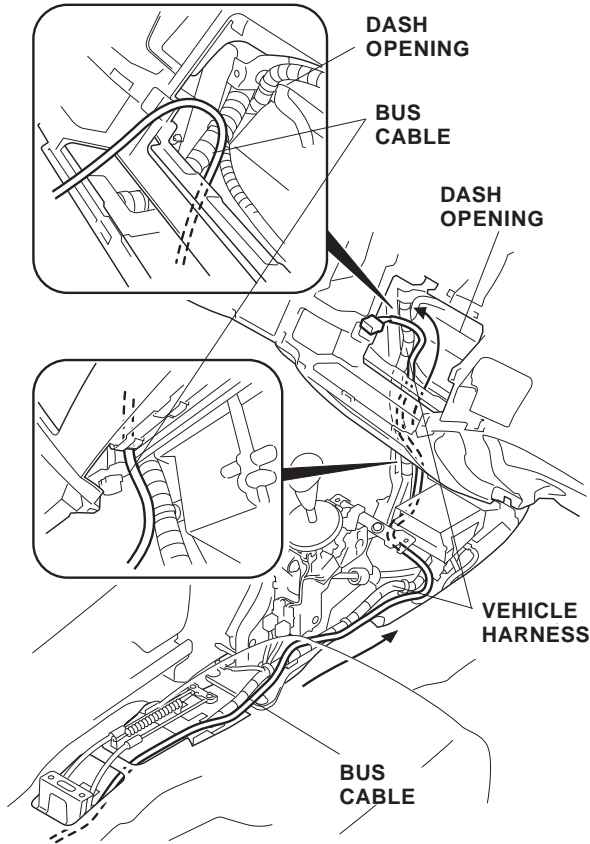
19. Route the bus cable from the trunk along the vehicle harness.



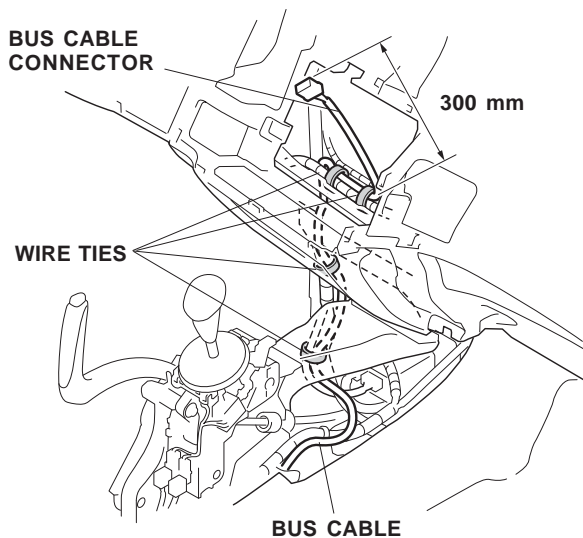
20. Lift up and lock the right rear seatback, then remove the clip that secures the floor carpet. Pull back the floor carpet.



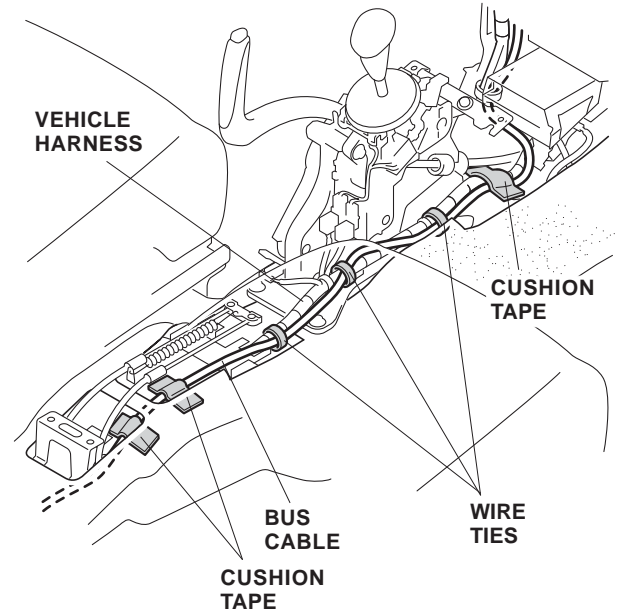
21. Route the bus cable forward to the right front console frame along the vehicle harness.



22. Continue routing the bus cable towards the dashboard and out through the dash opening.
23. Measure 300 mm from the end of the bus cable, then secure the bus cable to the vehicle harness with four wire ties in the areas shown.

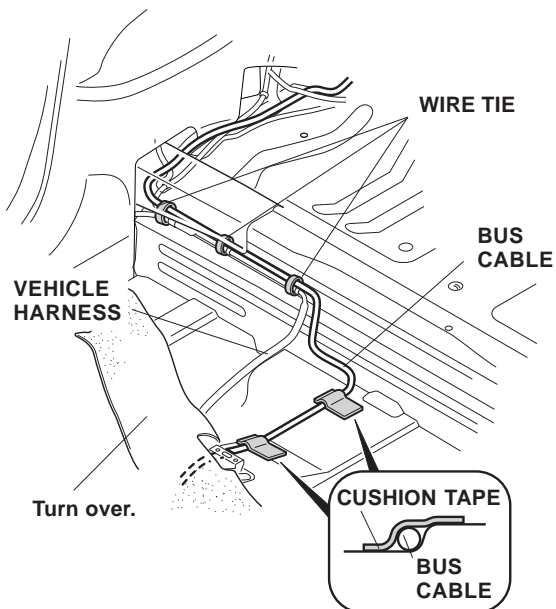


24. Along the center console area, secure the bus cable to the vehicle harness with three wire ties.

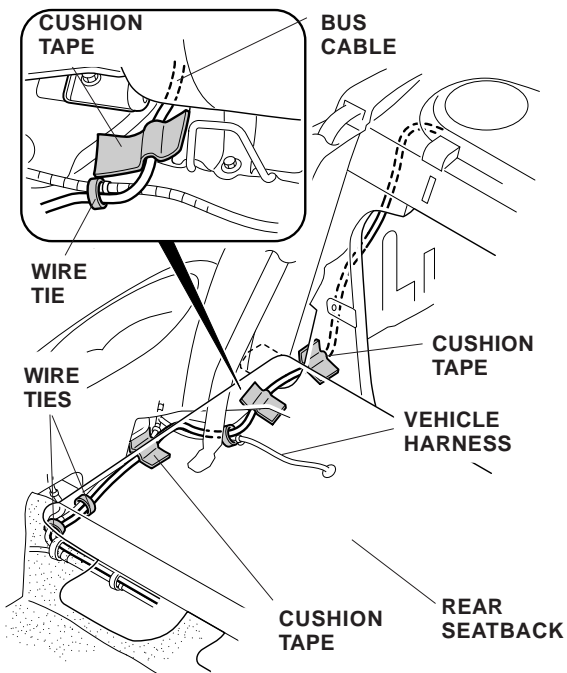


25. Using isopropyl alcohol on a shop towel, clean the areas where the cushion tapes will attach. Attach the bus cable to the floor panel with three cushion tapes in the areas shown.

26. Pull back the floor carpet, then attach the bus cable to the floor panel with the two cushion tapes in the areas shown.



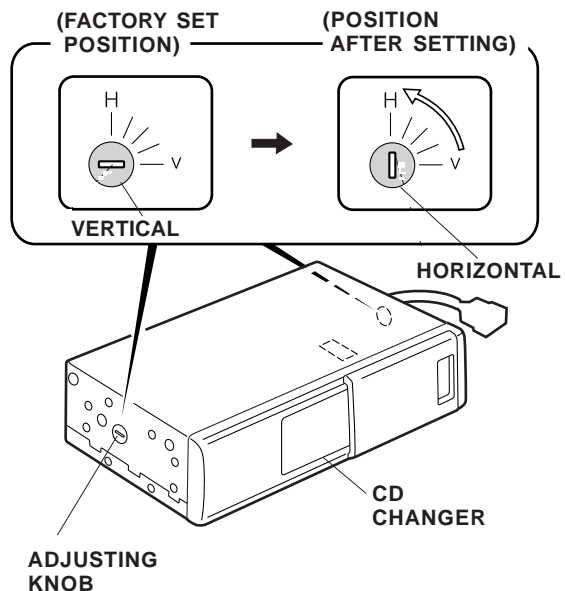
27. Secure the bus cable to the vehicle harness with three wire ties in the areas shown.  
 28. Secure the bus cable to the vehicle harness with two wire ties in the areas shown.



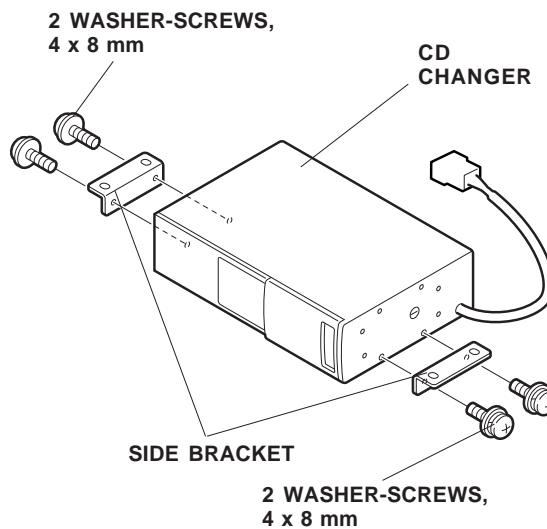
29. Attach the bus cable to the floor panel with the three cushion tapes in the areas shown.

### Installing the CD Changer

30. Using a flat-tip screwdriver, set the adjustment knobs in the horizontal (H) position.

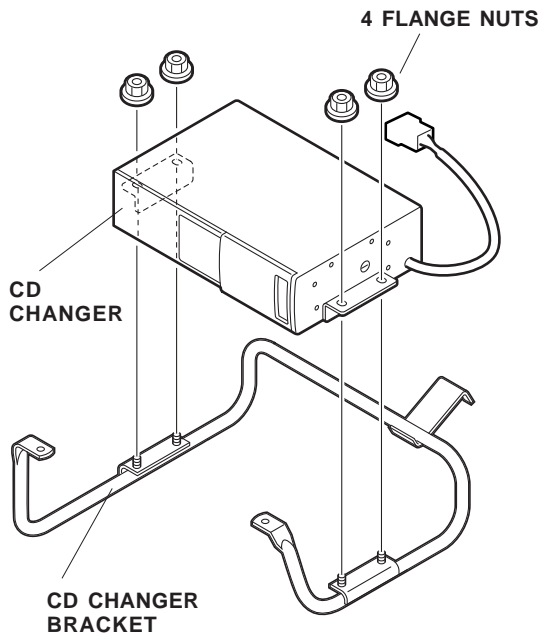


31. Position the CD changer brackets on the sides of the CD changer, then install the four 4 x 8 mm washer-screws.

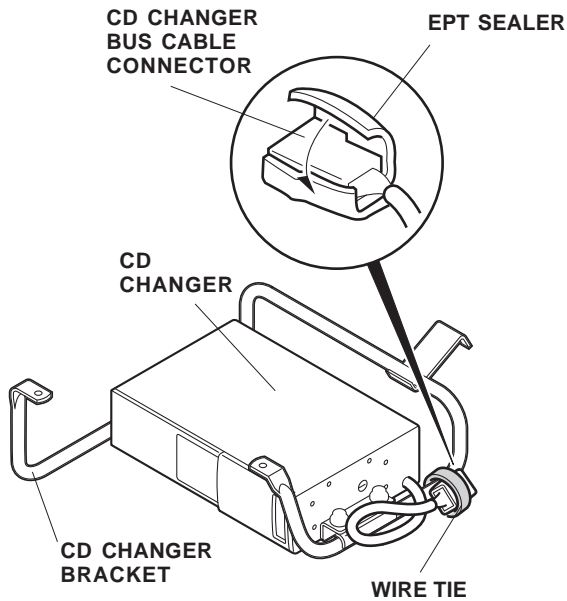




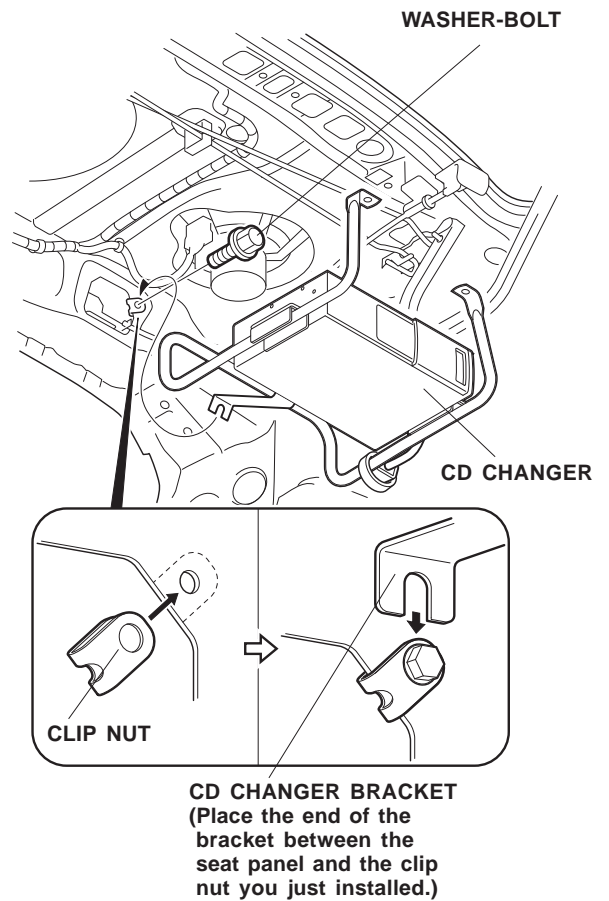
32. Position the CD changer on the CD changer bracket, then install and tighten the four 6 mm flange nuts.



33. Wrap one EPT sealer around the bus cable connector the CD changer, then secure the bus cable and connector to the CD changer bracket with a wire tie.

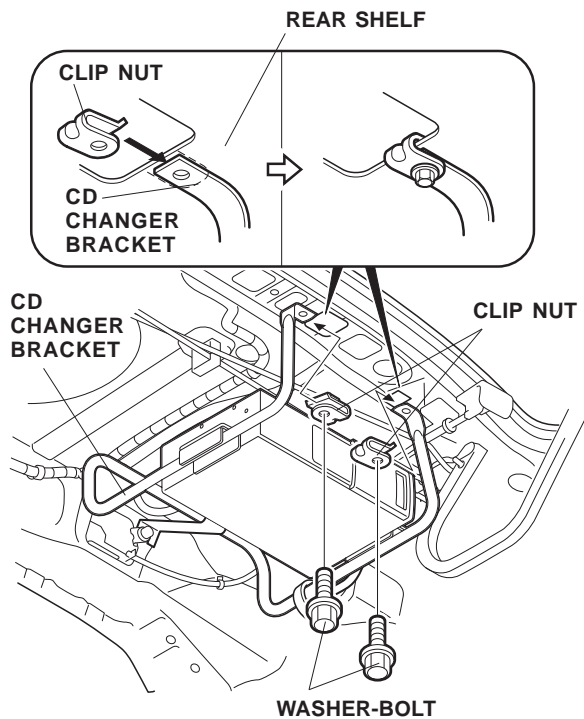


34. In the trunk, slide the clip nut into position on the rear seat panel through the hole in the panel. If necessary, spread the clip nut open with a small flat-tip screwdriver.

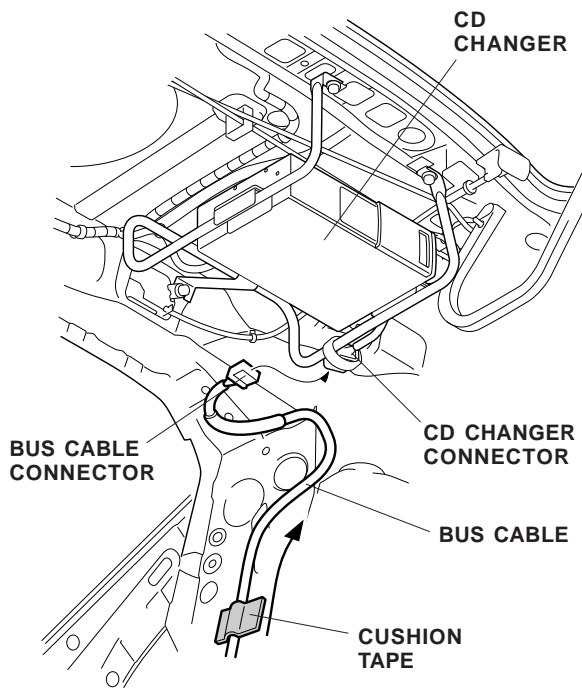


35. Loosely install the washer-bolt to the clip nut first. Place the end of the CD changer bracket between the seat panel and the clip nut you just installed.

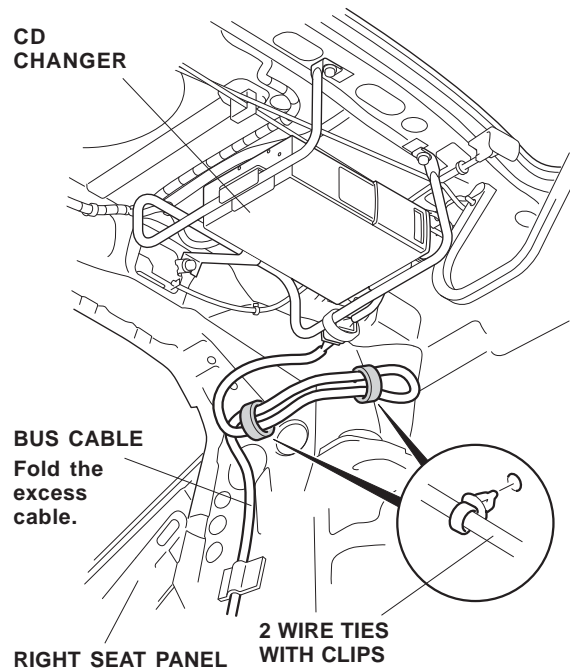
36. Slide two clip nuts onto the CD changer bracket and rear shelf through the holes in the rear shelf, and align their holes as shown. Install two washer-bolts and tighten them securely.



37. Connect the bus cable connector to the connector on the CD changer.

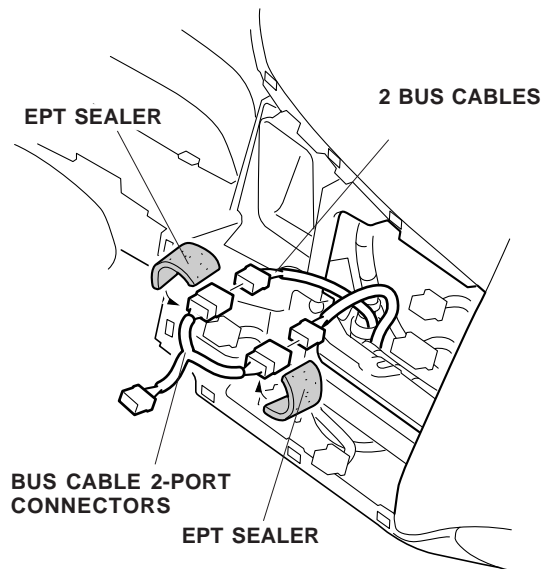


38. Fold the excess bus cable, and secure it to the holes in the rear seat panel with two wire ties with clips.



*If the vehicle you're working on is equipped with XM radio, continue with step 39; otherwise, go to step 41.*

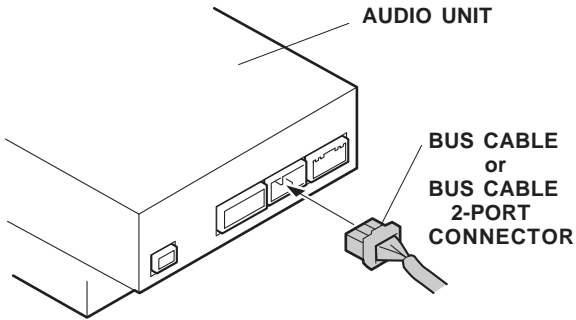
39. Plug the bus cable 2-port connectors to the two bus cables.



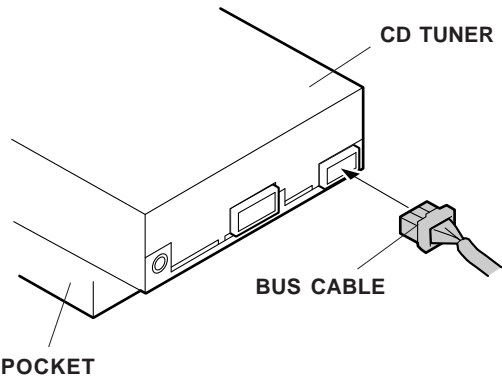
40. Wrap the two connectors with two EPT sealers.

41. Plug the bus cable connector into the rear of the head unit.

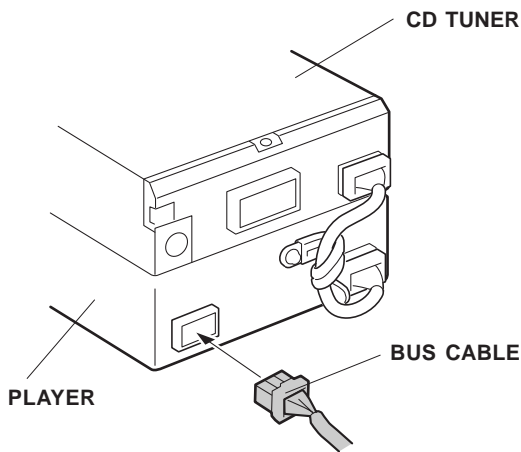
**Standard Audio Unit**



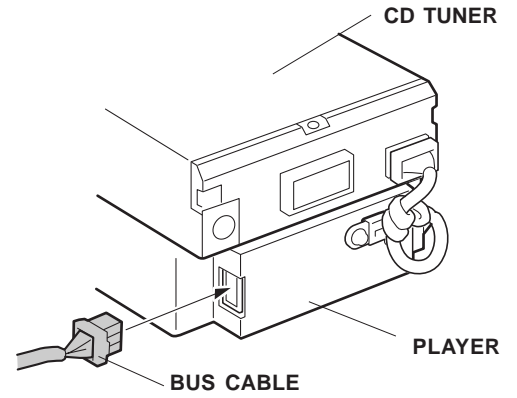
**Multi-Control CD Tuner Unit**



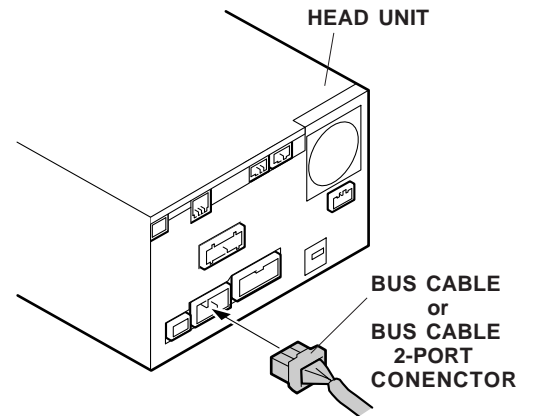
**CD Tuner With Cassette Player**



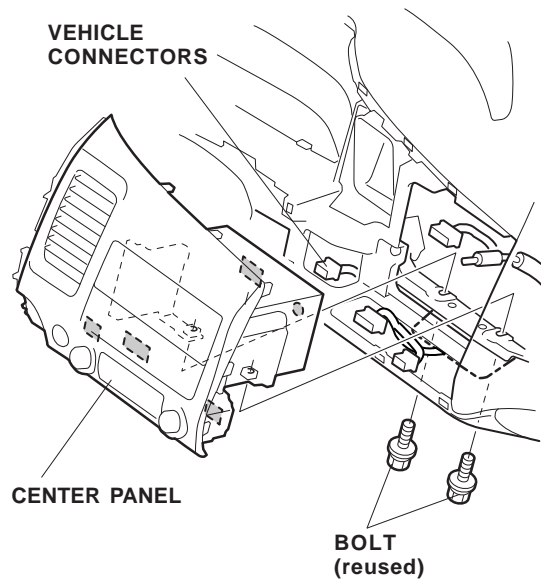
**CD Tuner With Media Player**



**Navigation Head Unit**



42. Connect the vehicle connectors to the center panel, and reinstall the center panel.



43. Check that all wire harnesses are routed properly and all connectors are plugged in.
44. Reconnect the negative cable to the battery.
45. Check the operation of the CD changer as described in the Accessory User's Information Manual .
46. Reset the clock.
47. Enter the customer's audio unit and navigation (if equipped) anti-theft codes, and reset the radio station presets.
48. Reinstall all removed parts.
49. Put the Accessory User's Information Manual in the glove box for your customer.
50. Initialize and test the front window auto up/down function.