



INSTALLATION INSTRUCTIONS

Accessory
SIDE UNDER SPOILERS

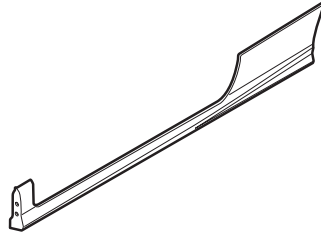
Application
**2011 CIVIC
2-DOOR**

Publications No.
All 44380
Issue Date
AUG 2010

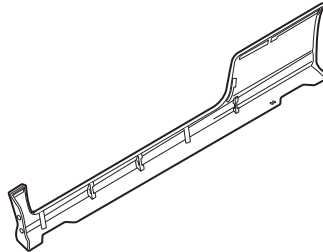
NOTE: The side under spoilers cannot be installed on a vehicle equipped with splash guards.

PARTS LIST

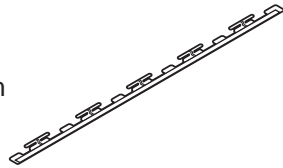
Left side under spoiler



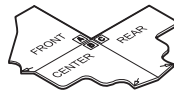
Right side under spoiler



2 Side brackets
(The side brackets can deform easily; handle them carefully with both hands.)



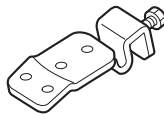
Template



4 Self-tapping screws



2 Under brackets



4 Screws



TOOLS AND SUPPLIES REQUIRED

- Phillips screwdriver
- Tape measure
- Felt-tip pen
- Shop towel
- Isopropyl alcohol
- Masking tape
- Scissors
- Utility knife
- 8 mm Wrench
- Gloves

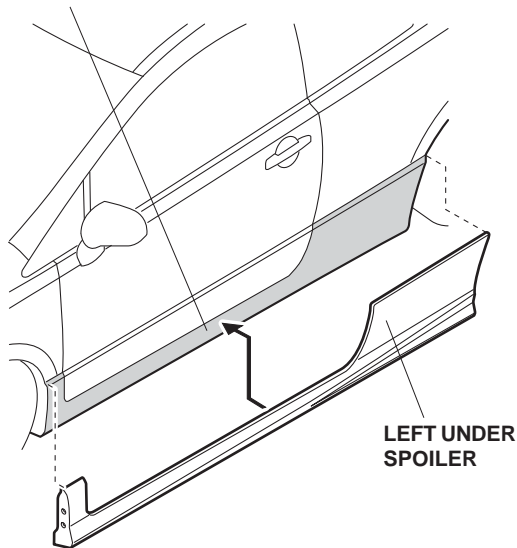
INSTALLATION

NOTE:

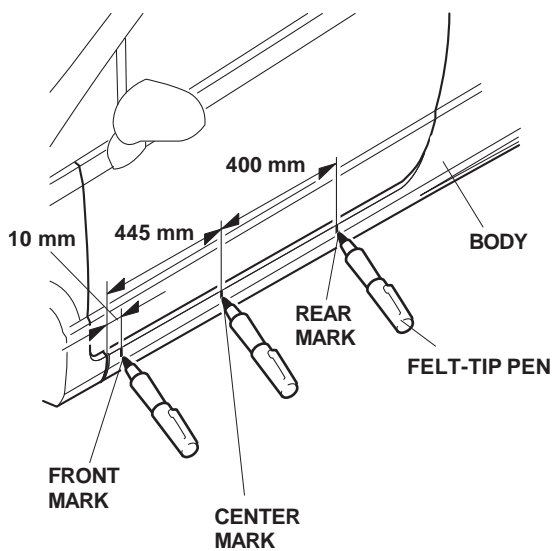
- Be careful not to damage the body finish when installing the side under spoilers.
- Install the left side under spoiler first, then install the right side under spoiler.
- These installation instructions show the left side under spoiler being installed. The same procedure applies to installing the right side under spoiler.
- Wear gloves to protect your hands while handling the side lower bracket.
- This side under spoiler kit should be installed only if the ambient air temperature is 60°F (15°C) or above.
- To allow the adhesive to cure, do not wash the vehicle for 24 hours.

1. Position the left side under spoiler on the vehicle body to check the installation position. Using isopropyl alcohol on a shop towel, clean the surface of the vehicle thoroughly where the left side under spoiler will attach.

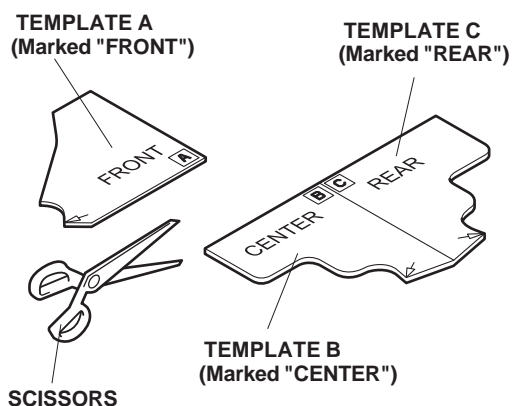
Thoroughly clean the surface where the left side under spoiler will attach with isopropyl alcohol.



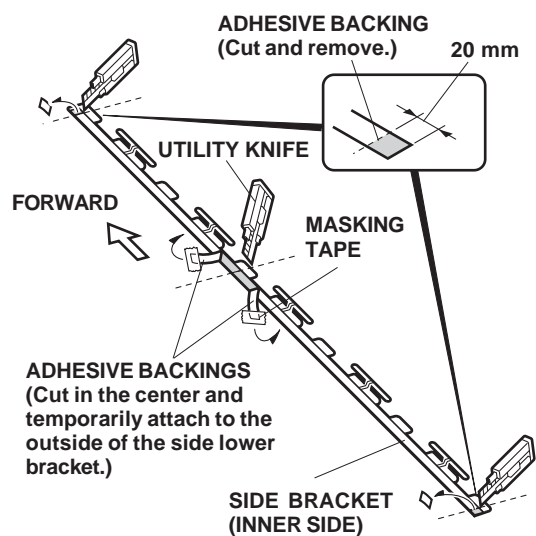
2. Using a tape measure and felt-tip pen, measure and mark the body as shown.



3. Using scissors, cut out part A from the template.

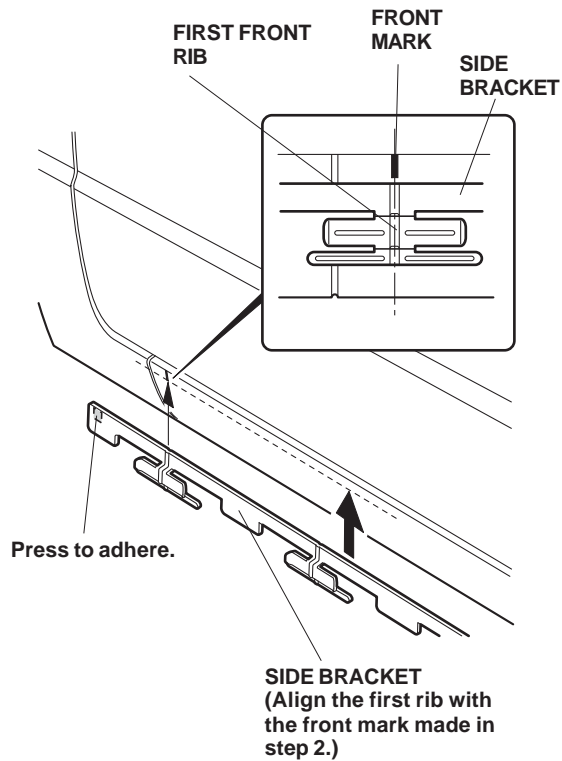


4. Measure and cut both ends of the adhesive backing attached to the inner side of the side bracket, and remove the cut pieces of the adhesive backing from both ends.



5. Using a utility knife, cut the center of the adhesive backing attached to the side bracket.
6. Attach a piece of masking tape to each of the cut ends of the adhesive backing, peel them back partway, and temporarily attach them to the outside of the side bracket.

- Align the first front rib on the front of the side bracket with the front mark you made in step 2.

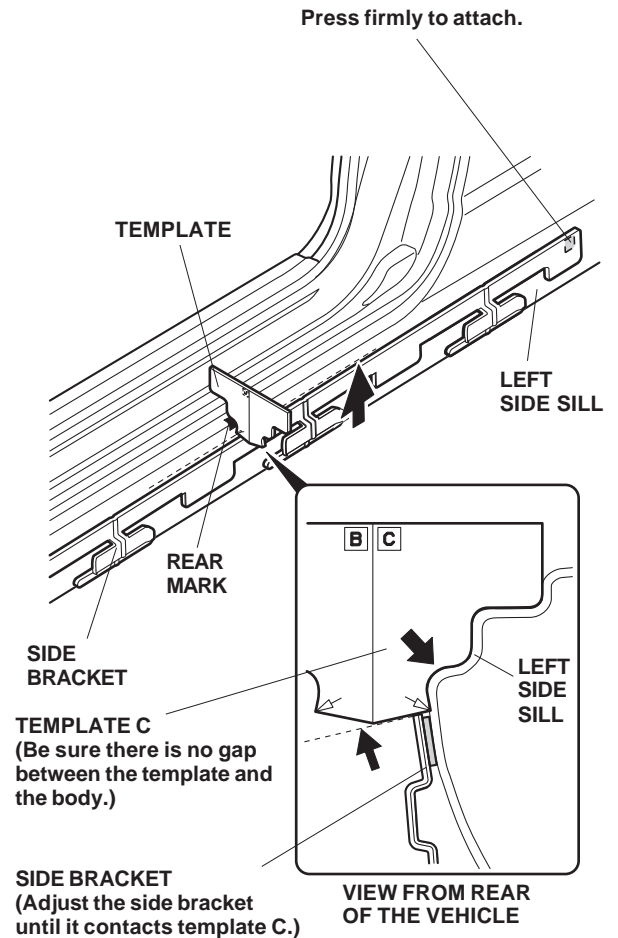


- While wearing gloves, temporarily attach the side bracket to the vehicle body by pressing on the front of the side bracket where you removed the adhesive backing.

NOTE:

- Be careful not to bend the side bracket.
- Do not worry if the side bracket is slightly slanted, as vertical adjustment of the side bracket is not made in this step of the procedure.
- If the side bracket comes off, clean the surface with isopropyl alcohol again before reattaching the bracket.

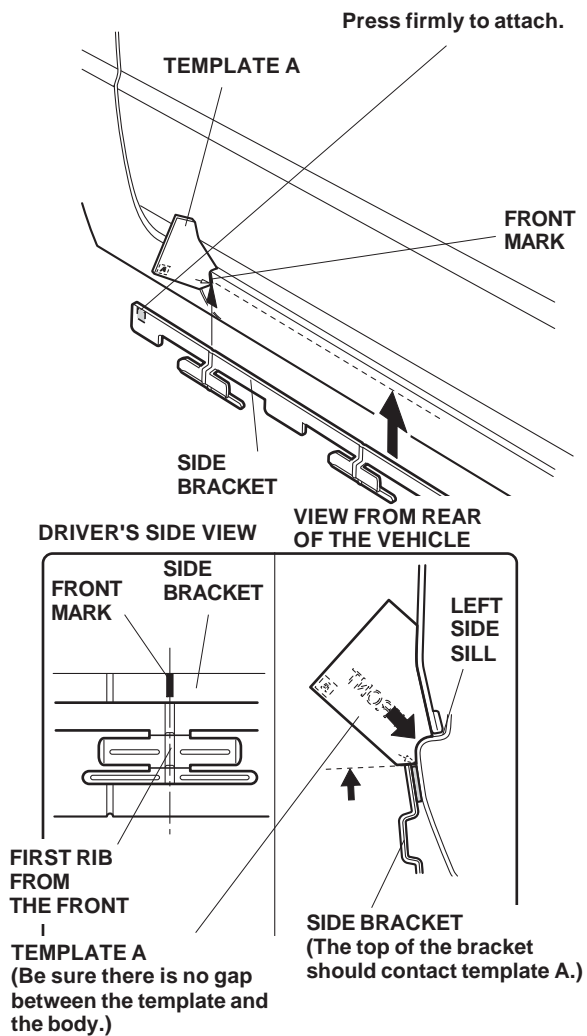
- Open the driver's door. Position template C on the rear mark you made in step 2. Adjust the top of the side bracket until it lightly contacts template C. Be sure there is no gap between the template and the body.



- While wearing gloves, press the rear portion of the side bracket (where you removed the adhesive backing) firmly against the vehicle body so that the adhesive will adhere.

NOTE: Be careful not to bend the side bracket.

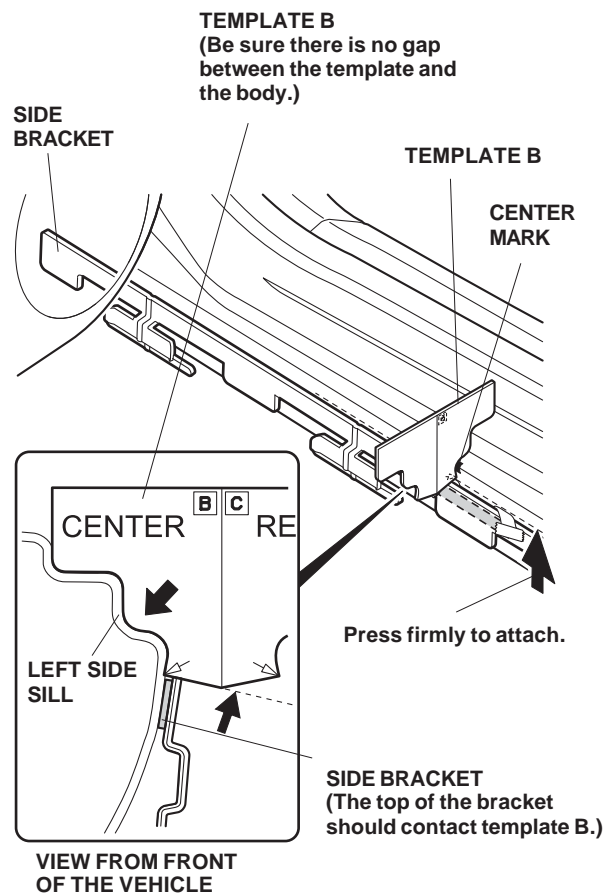
- Close the driver's door. Detach the front portion of the side bracket (attached in step 8) from the vehicle body. Position template A on the front mark made in step 2, and align the top of the first rib of the side bracket with template A. Be sure there is no gap between the template and the body.



- While wearing gloves, press the front portion of the side bracket (where you removed the adhesive backing) firmly against the vehicle body so that the adhesive will adhere.

NOTE: Be careful not to bend the side bracket.

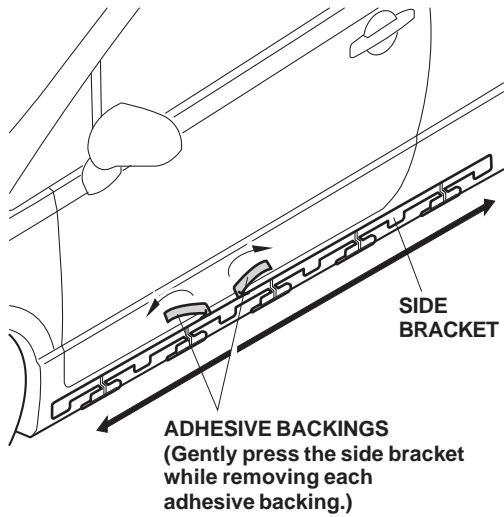
- Open the driver's door. Position template B on the center mark you made in step 2. While holding the ends of the side bracket in place, position the center of the side bracket with template B. Be sure there is no gap between the template and the body.



- While wearing gloves, press the center portion of the side bracket (where the adhesive tape was peeled back) firmly against the vehicle body so that the adhesive will adhere.

NOTE: Be careful not to bend the side bracket.

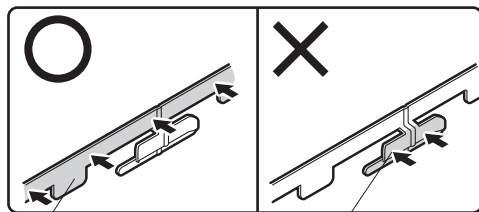
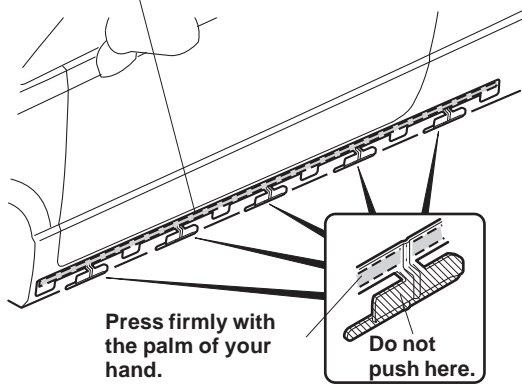
- Close the drivers door. Gently press on the side bracket while slowly removing each adhesive backing.



- While wearing gloves, attach the side bracket to the vehicle body by pressing firmly along the double-sided adhesive tape with the palms of your hands.

NOTE: Do not push on the installation plates on the side bracket. If the installation plates are bent, you cannot install the side spoiler.

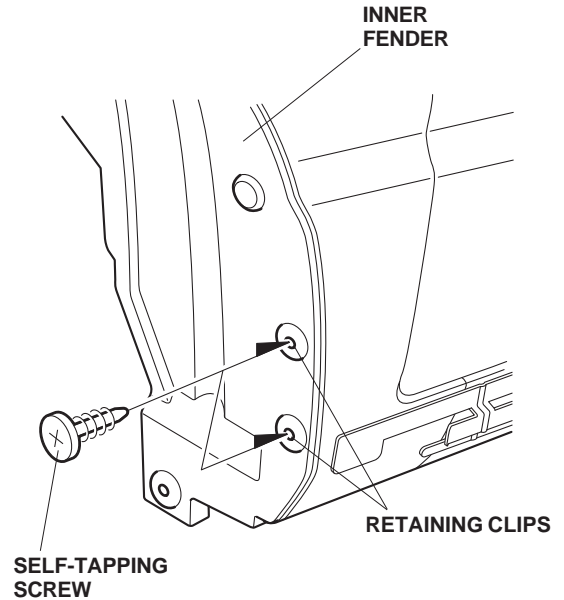
SIDE BRACKET
(Press on the entire surface of the double-sided adhesive tape.)



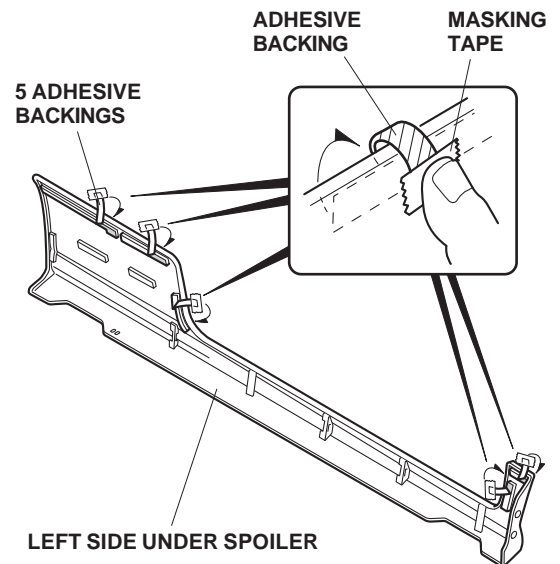
Press firmly with the palm of your hand.

Do not push here.

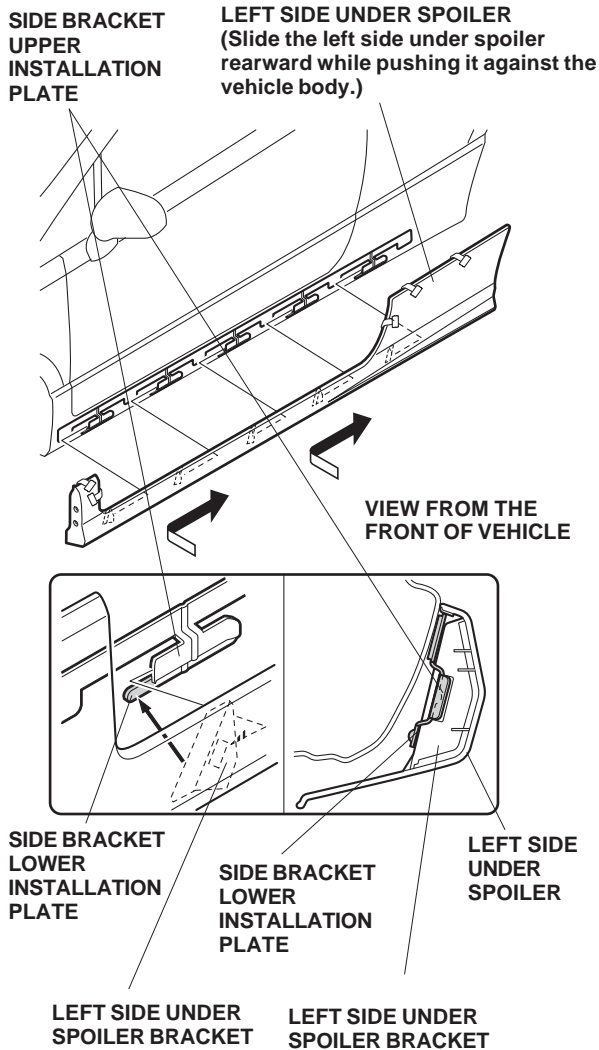
- Turn the steering wheel all the way counterclockwise.
- Using a self-tapping screw, pierce a hole through the center of the inner fender retaining clips.



- Peel back approximately 2 inches of each adhesive backing, and attach them to the outer surface of the left side under spoiler with masking tape.

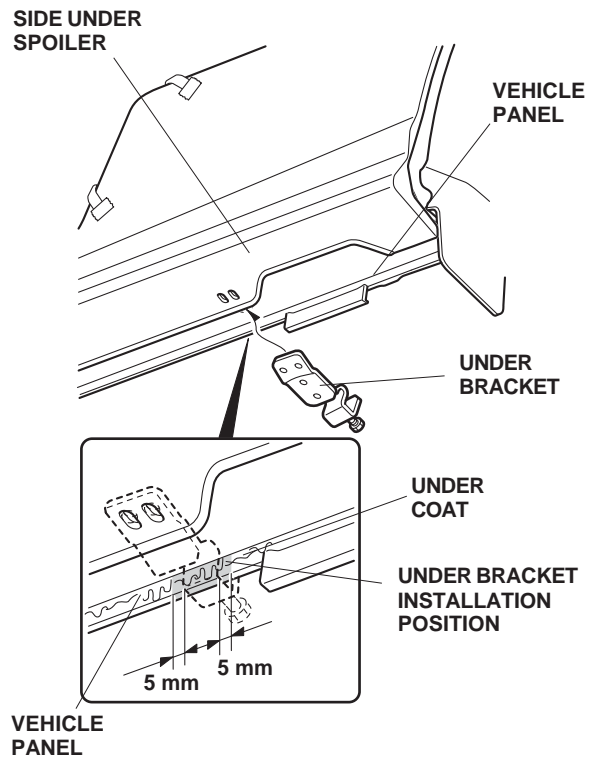


20. Check the position of the under spoiler attachments by looking down at them from the top. While pushing the left side under spoiler against the vehicle body with both hands, slide it rearward. Make sure the location of the side bracket installation plates (upper and lower) attach to the brackets on the under spoiler.

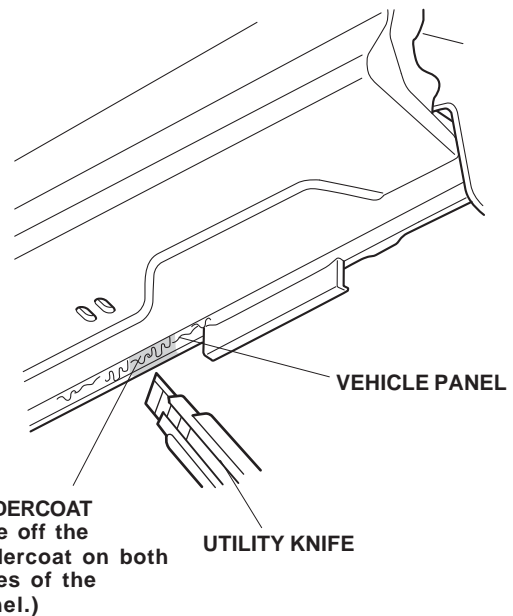


21. Check that all six brackets on the left side under spoiler are set in the side bracket installation plates. Visually check that there is no excessive gap between the left under spoiler and the vehicle. If you can see a gap, repeat step 20.

22. Attach the under bracket to the side under spoiler and mark the undercoat.

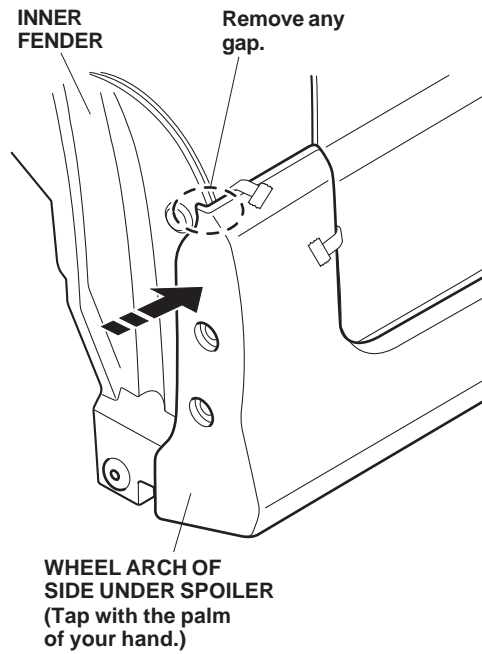


23. Using a utility knife, cut the undercoat at the marked location, and file off the undercoat from both sides of the vehicle panel.

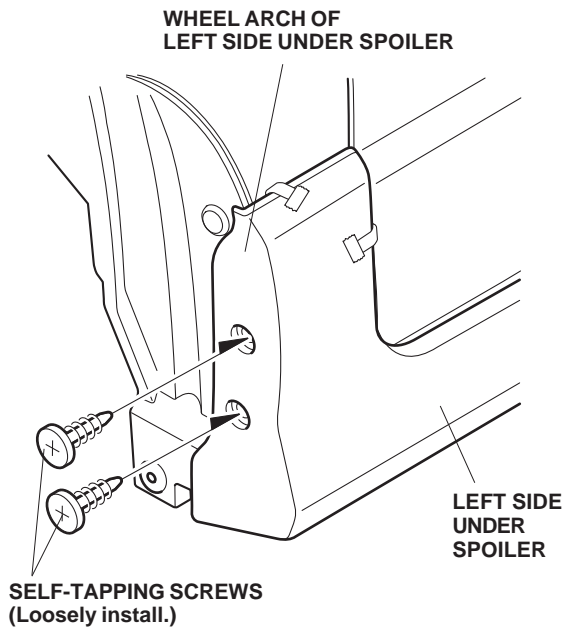


24. Apply touch-up paint to the vehicle panel in the area where you filed off the undercoat. Allow the touch-up paint to dry.

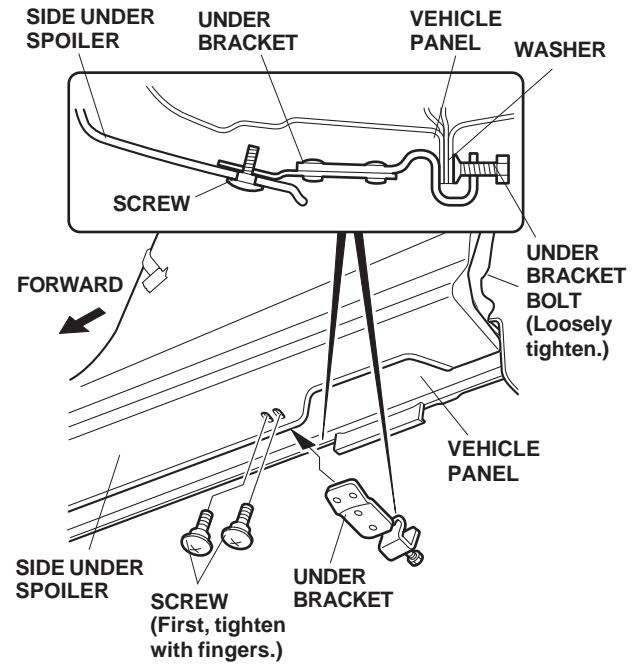
24. Using the palm of your hand, gently tap on the side under spoiler to close the gap between the spoiler and the wheel arch.



25. Loosely install the front self-tapping screws in the holes in the wheel arch of the side under spoiler.

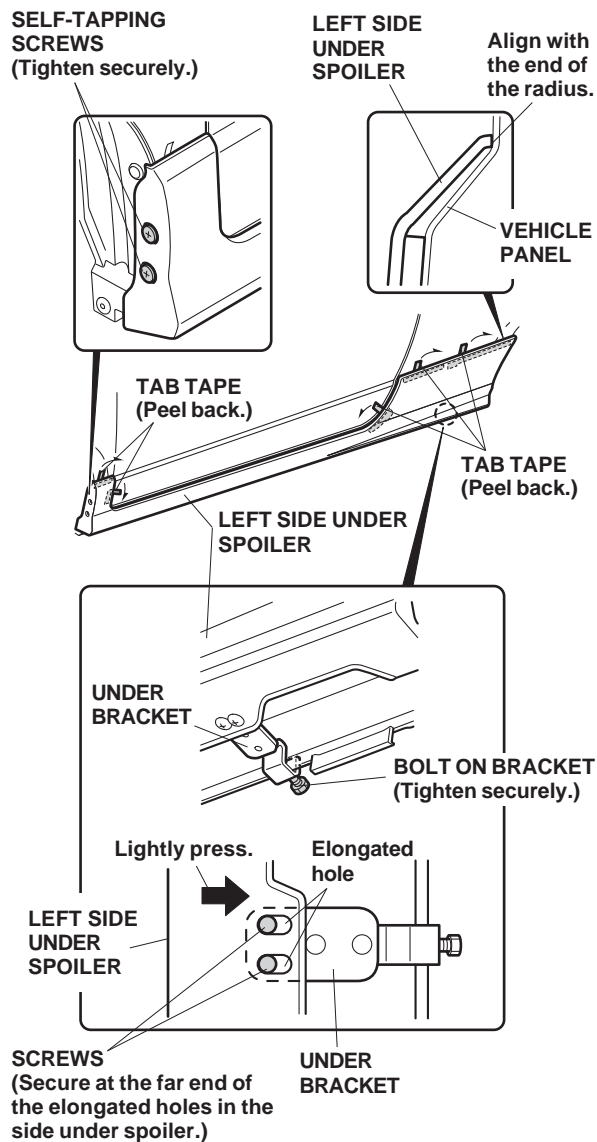


26. When the touch-up paint is dry, completely loosen the under bracket bolt until the washer on the bolt comes in contact with the under bracket. Make sure the washer does not fall off. Do not use a wrench to loosen the under bracket bolt.



27. Position the under bracket on the side under spoiler and loosely install the two screws. Loosely tighten the under bracket bolt.

28. Align the rear top edge of the side under spoiler with the radius edge of the vehicle panel as shown. Remove the five adhesive tapes from the side under spoiler, and firmly press the side under spoiler against the vehicle body.



29. Tighten the two self-tapping screws securely.
30. Lightly press the side under spoiler against the vehicle and tighten the two under bracket screws.
31. If necessary, adjust the under bracket, then securely tighten the under bracket bolt.
32. Repeat steps 1 thru 31 to install the right side under spoiler on the right side of the vehicle.