



# INSTALLATION INSTRUCTIONS

Accessory  
**SURFBOARD ATTACHMENT**  
P/N 08L05-TA1-100

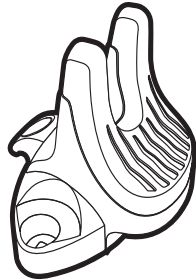
Application  
**2011 CR-V**

Publications No.  
**All 44645**  
Issue Date  
**AUG 2010**

Put this information in the glove box with the vehicle owner's manual.

## PARTS LIST

4 Bases



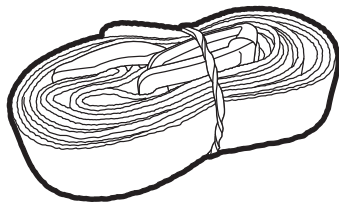
8 Knobs



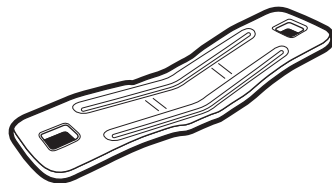
8 Bolts



2 Attachment straps



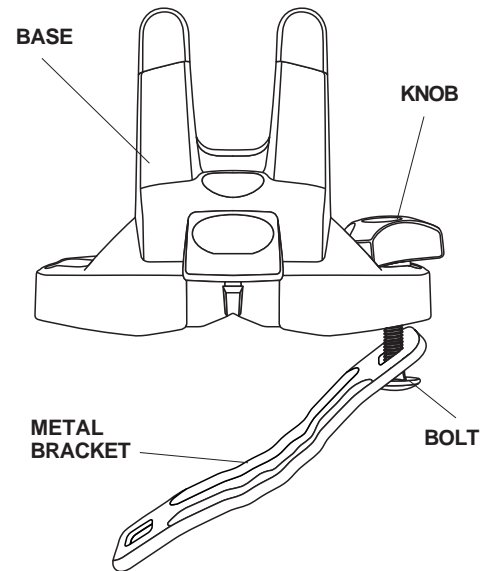
4 Metal brackets



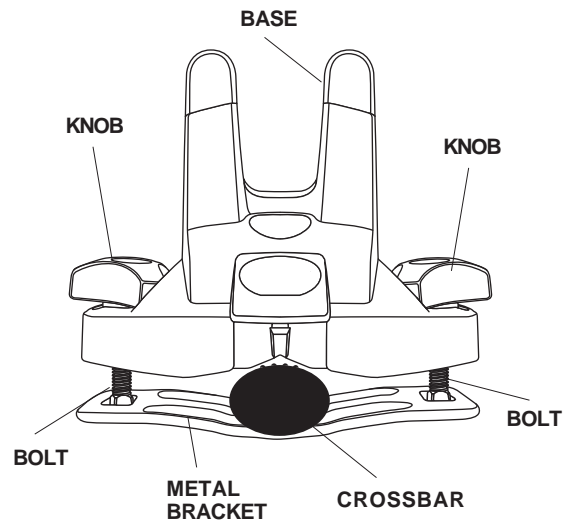
## INSTALLATION

NOTE: Be careful not to damage the body paint finish.

1. Loosely install a bolt and knob with metal bracket as shown.



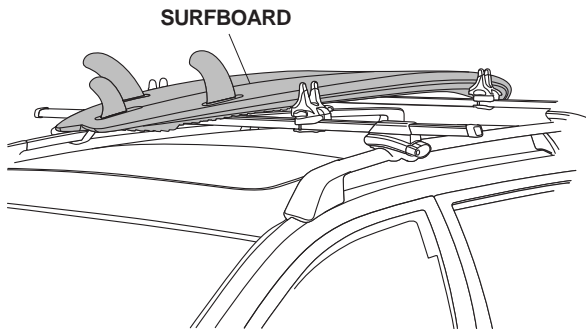
2. Position the base on the crossbar. Loosely install an additional bolt and knob through the metal bracket.



3. Repeat steps 1 and 2 for the three remaining bases. Install two bases on each crossbar.

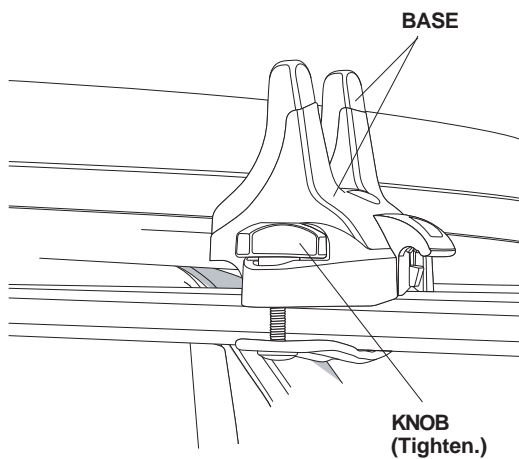
- Center the surfboard upside down on the roof of the vehicle with the tail toward the front of the vehicle.

NOTE: When mounting two boards, place the second board on top of the first.



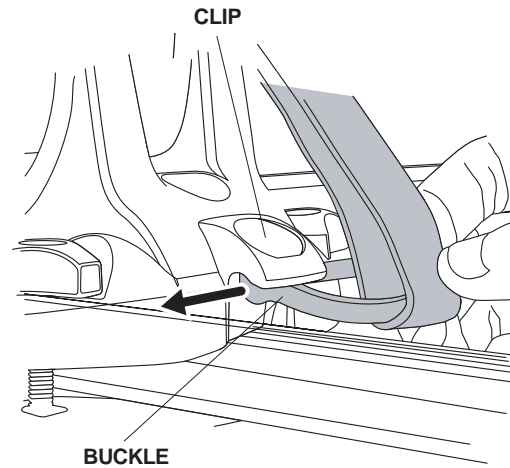
- Adjust the position of the bases so that the bottom of the surfboard rests on the rubber part of the bases. Tighten all knobs firmly and evenly.

NOTE: The crossbars must be at least 24 in. (610 mm) apart for safe use.

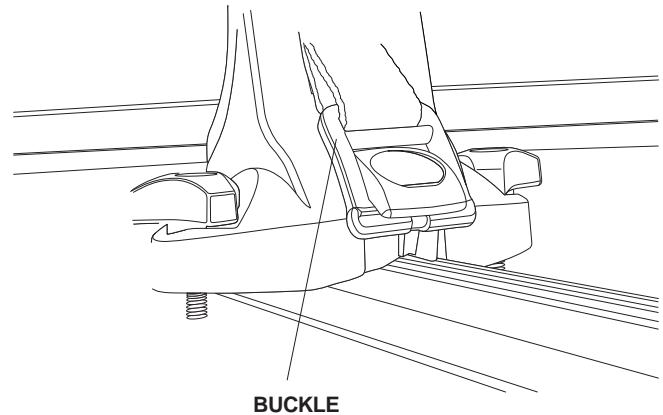


- Slide the buckle on the attachment strap into the clip on the base.

NOTE: For proper alignment, the buckle must be fully inserted into the clip as shown.

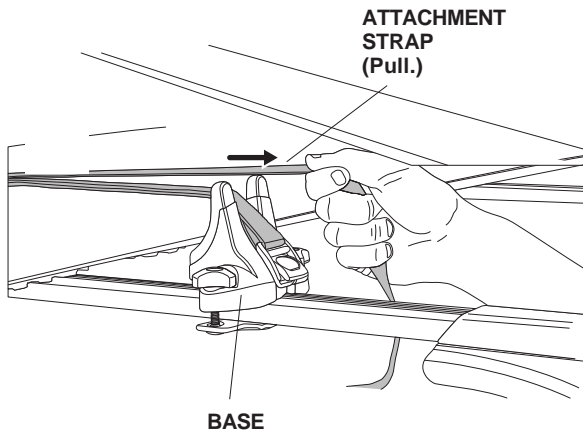


- Rotate the buckle up to "lock" it into the base. Repeat this step at the remaining bases.



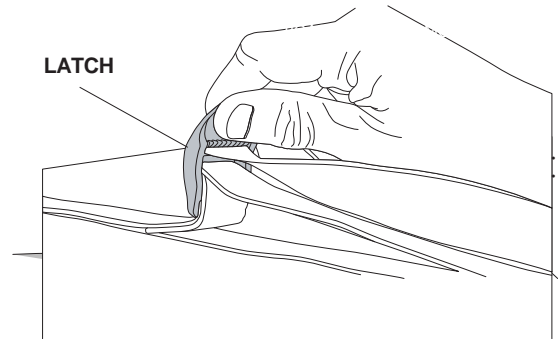
8. Pull the ends of the attachment straps to secure the surfboard to the carrier. Make certain all mounting hardware is secure, then tighten as necessary.

**NOTE:** Be careful not to overtighten the attachment straps as you could damage the surfboard.



## Surfboard Removal

1. Open the latch to loosen the attachment strap.



2. Rotate the buckles down to unlock the attachment straps, then slide the buckles out of the bases.

