



INSTALLATION INSTRUCTIONS

Accessory
FLOOR MAT (ALL SEASON)
P/N 08P13-TE0-110

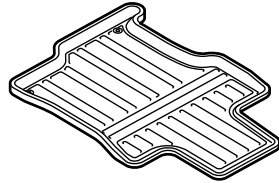
Application
2011 ACCORD
2-DOOR

Publications No.
All 44003
Issue Date
AUG 2010

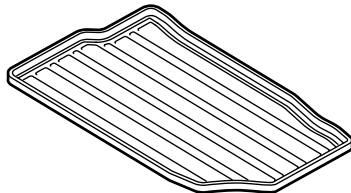
Put this information in the glove box with the vehicle owner's manual

PARTS LIST

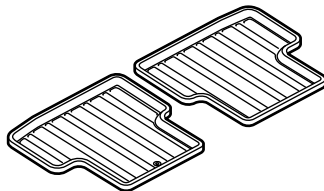
Driver's side front floor mat



Passenger's side front floor mat



2 Rear floor mats



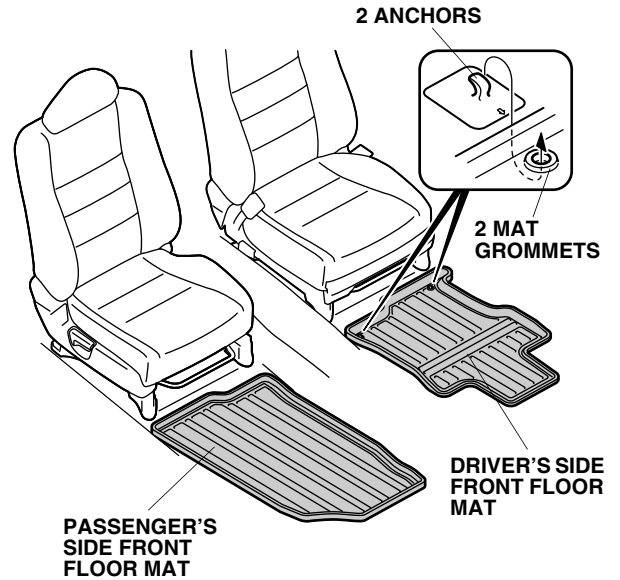
INSTALLATION

NOTE:

- Before installing, identify each floor mat.
- Remove the standard floor mats before installing these floor mats.
- The floor anchors are required for the driver's side of the vehicle; the anchors prevent the driver's side floor mat from sliding forward and interfering with the pedals.
- If you remove the floor mat, make sure you re-anchor it when you put it back in your vehicle.

Installing the Floor Mats

1. Install the driver's side front floor mat by placing the two mat grommets over the two anchors on the floor carpet.
2. Install the passenger's side front floor mat.



3. Install the rear floor mat (left side).
4. Install the rear floor mat by placing the mat grommet over the anchor on the floor carpet (right side).

