



# INSTALLATION INSTRUCTIONS

Accessory  
**CARGO COVER**

Application  
**2010 PILOT**

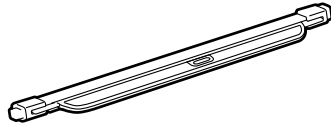
Publications No.  
**All 41630**  
Issue Date  
**MAY 2009**

Put this information in the glove box with the vehicle owner's manual.

## PARTS LIST

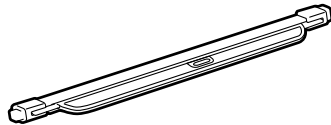
**Cargo Cover (without power tailgate)**  
P/N 08U35-SZA-1X0

Cargo cover



**Cargo Cover (with power tailgate)**  
P/N 08U35-SZA-1X0A

Cargo cover



## TOOLS AND SUPPLIES REQUIRED

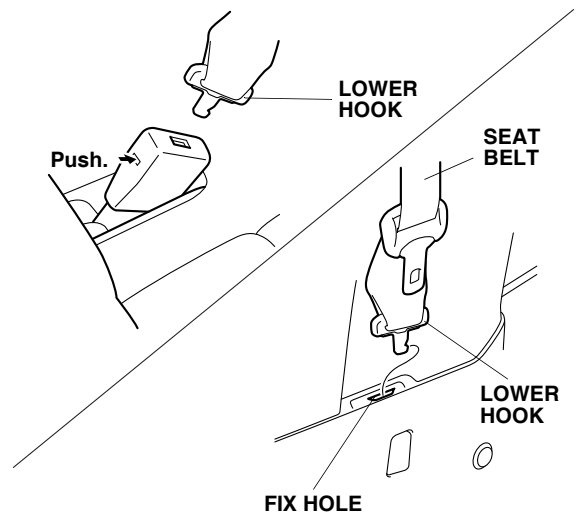
Small flat-tip screwdriver

## INSTALLATION

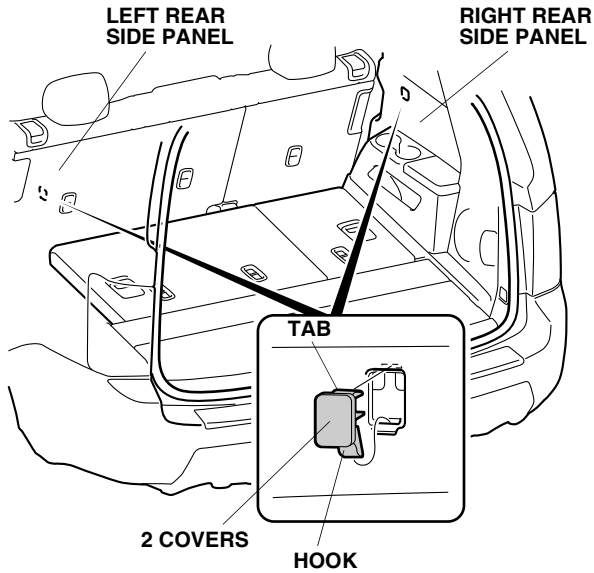
NOTE: This cargo cover cannot be installed on vehicles with a cargo liner.

### Installing the Cargo Cover

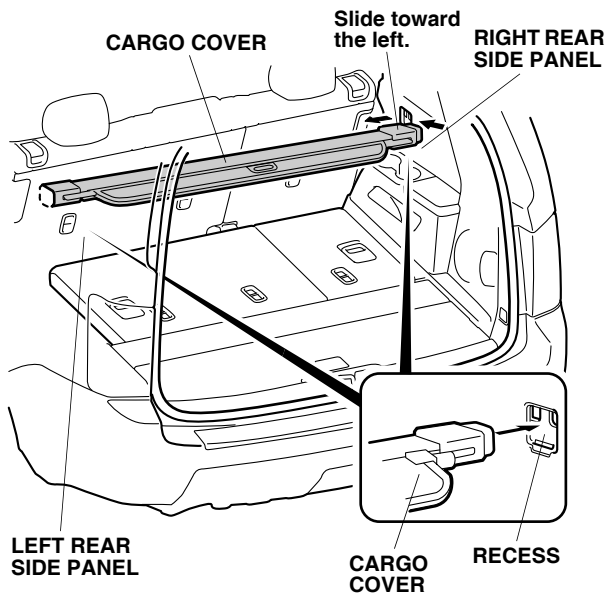
1. Using a small flat-tip screwdriver, push and release the seat belt lower hooks from the third row seat. Insert the seat belt lower hook to the fix holes.



2. Fold down the third row seat.



3. Using a small flat-tip screwdriver, remove two covers on the right and left rear side panel by releasing the tab and hook. Save the covers in the glove box so they can be reinstalled when the cargo cover is removed.
4. Install the cargo cover into the recess in the left rear side panel in the direction shown, then compress the cargo cover, and install it in the right rear side panel.



5. Slide and hitch the right and left hooks of the cargo cover to the right and left rear side panel.

