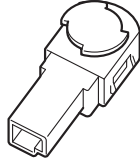
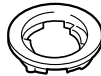


**PARTS LIST**

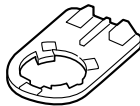
2 Ambient lights



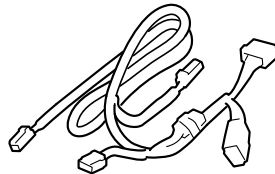
2 Grommets



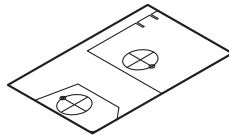
2 Shims



Ambient light harness



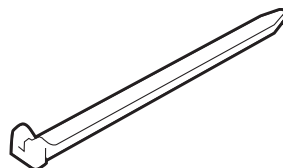
Template



Ambient light switch



Narrow wire tie

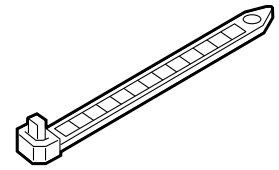


Spacer

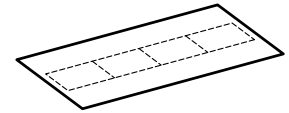


6 Wire ties

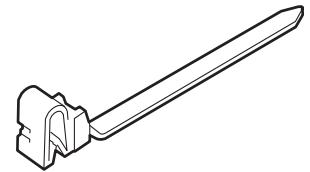
Fuse label



Wire tie with clip



Aluminum tape

**TOOLS AND SUPPLIES REQUIRED**

Isopropyl alcohol

Shop towel

Scissors

Diagonal cutters

File

Drill

3.5 mm Drill bit

20 mm Hole saw

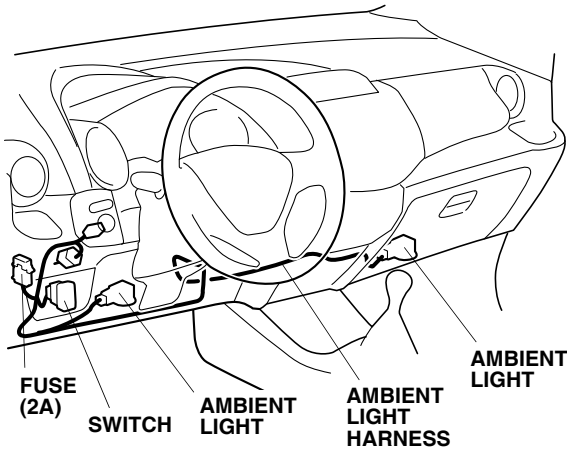
Pushpin

Masking tape

Utility knife

Eye protection (face shield, safety goggles, etc.)

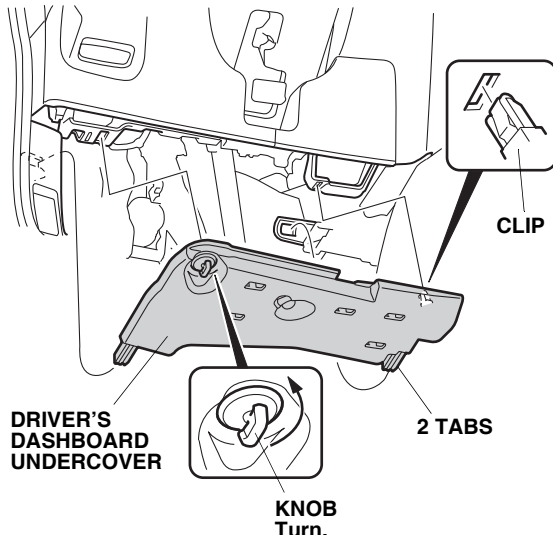
**Illustration of the Ambient Lights Installed on the Vehicle**



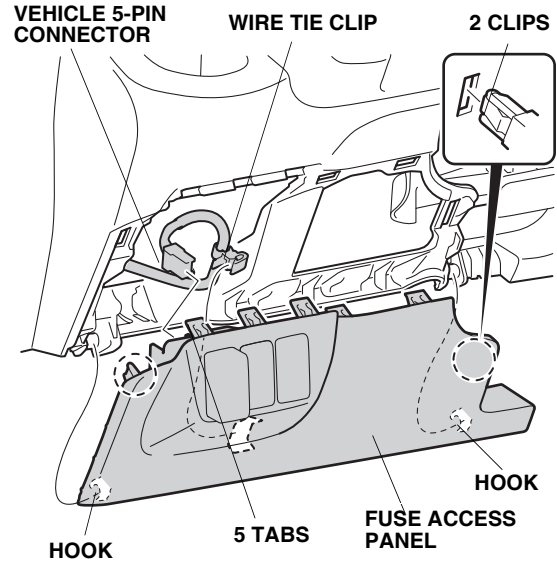
**INSTALLATION**

**Customer Information:** The information in this installation instruction is intended for use only by skilled technicians who have the proper tools, equipment, and training to correctly and safely add equipment to your vehicle. These procedures should not be attempted by “do-it-yourselfers.”

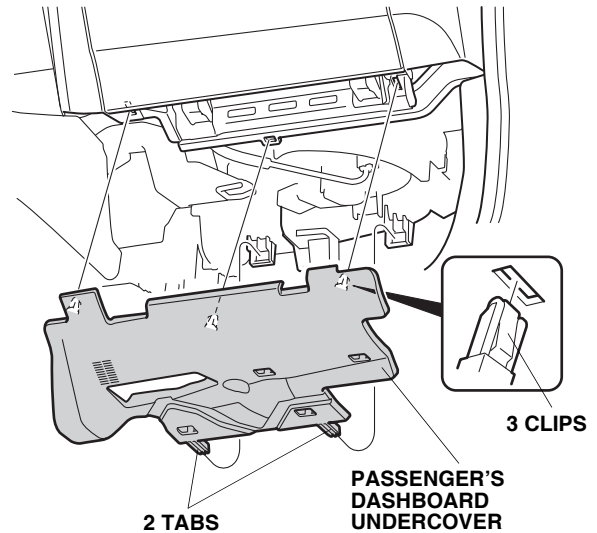
1. Make sure you have the anti-theft code for the radio and navigation system (if equipped), then write down the radio presets.
2. Disconnect the negative cable from the battery.
3. Under the dash on the left side of the vehicle, turn the knob of the driver’s dashboard cover counterclockwise. Remove the driver’s dashboard undercover (one clip and two tabs).



4. Remove the fuse access panel (two clips, five tabs and two hooks). If equipped with fog lights, unplug the vehicle 5-pin connector and unclip the wire tie.

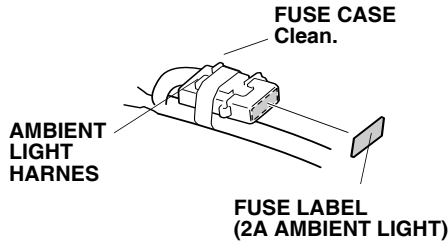


5. Remove the passenger’s dashboard undercover (three clips and two tabs).

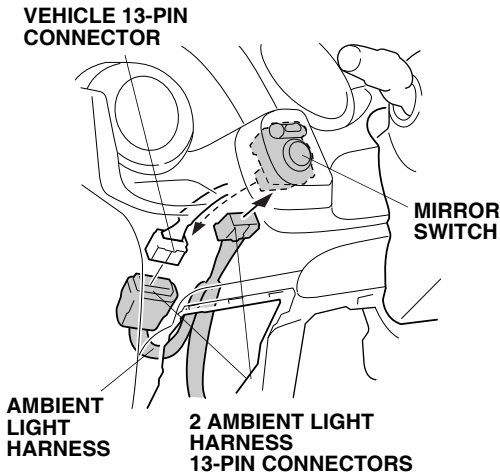


## Routing the Ambient Light Harness

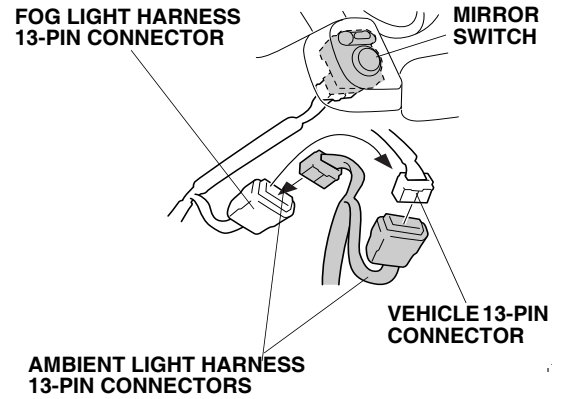
- Using isopropyl alcohol, clean the fuse case where the fuse label will attach.



- Attach the fuse label (2A AMBIENT LIGHT) to the fuse case on the ambient light harness.
- Without accessory fog lights:** Unplug the vehicle 13-pin connector from the mirror switch, and plug it into the ambient light harness 13-pin connector. Plug the ambient light harness 13-pin connector into the mirror switch.

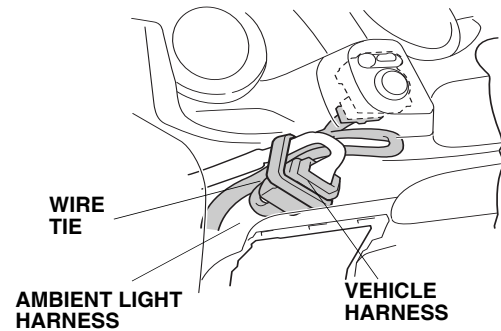


- With accessory fog lights:** Unplug the vehicle 13-pin connector from the fog light harness, and plug it into the ambient light harness 13-pin connector. Plug the other ambient light harness 13-pin connector into the fog light harness 13-pin connector.

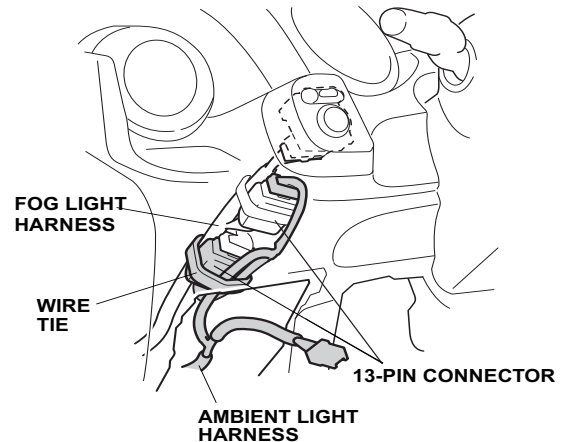


- Secure the 13-pin connector.

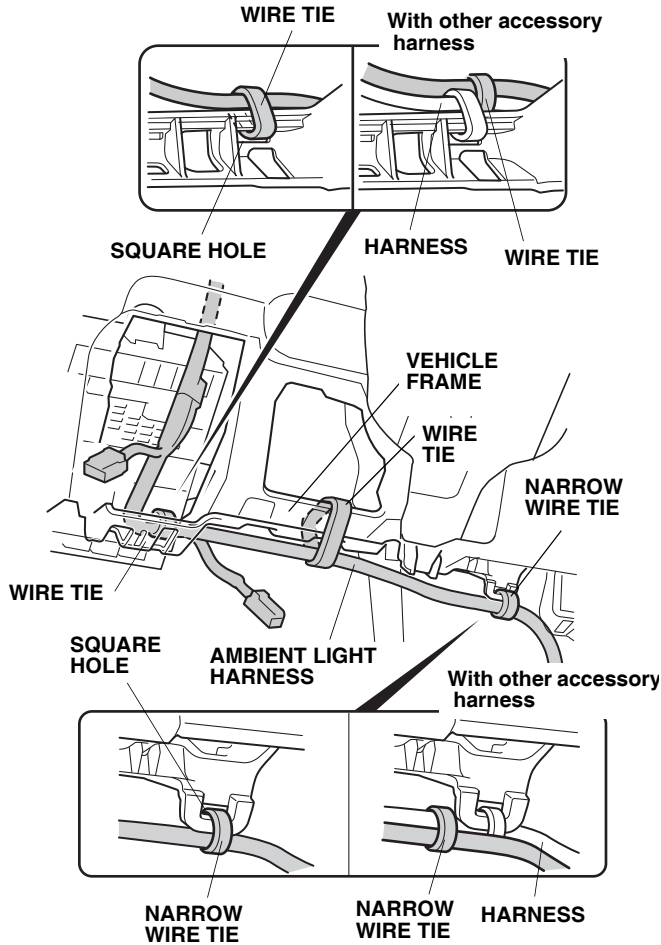
**Without Fog Lights:** Using one wire tie, secure the excess ambient light harness and connector to the vehicle harness.



**With Fog Lights:** Secure the two 13-pin connectors to the fog light harness using one wire tie for each connector.

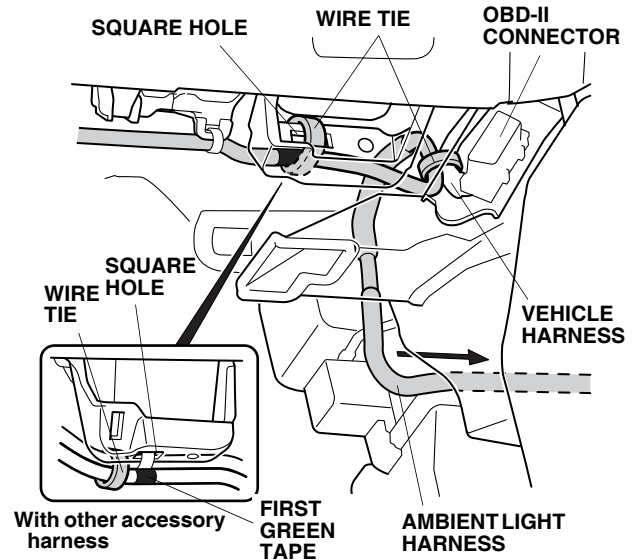


- Using one wire tie, secure the ambient light harness to the square hole of the vehicle frame (If another accessory harness is installed, secure the ambient light harness to the other accessory harness).

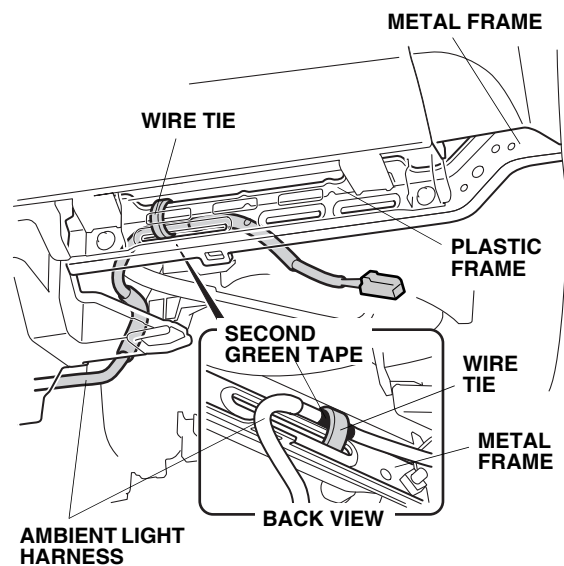


- Using one wire tie, secure the ambient light harness to the vehicle frame.
- Using one narrow wire tie, secure the ambient light harness to the square hole of the vehicle frame (If another accessory harness is installed, secure the ambient light harness to the other accessory harness).

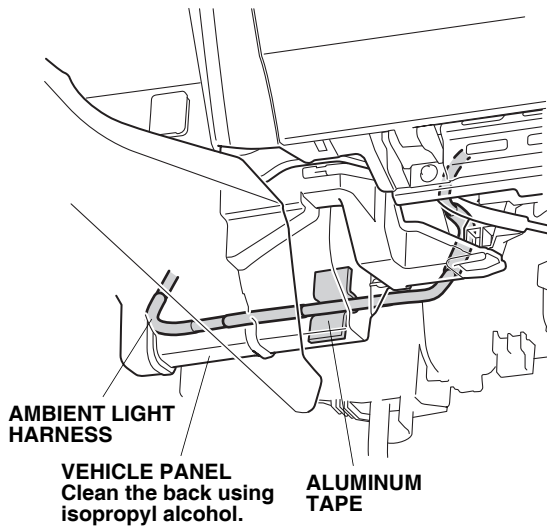
- Secure the ambient light harness with one wire tie to the square hole of the pocket (If another accessory harness is installed, secure the ambient light harness to the other accessory harness).



- Using one wire tie, secure the ambient light harness to the OBD-II connector harness.
- Using one wire tie, secure the ambient light harness (at the second green tape) to the oval hole of the metal frame. Do not secure the harness to the plastic frame, otherwise the lower cover cannot be reinstalled.



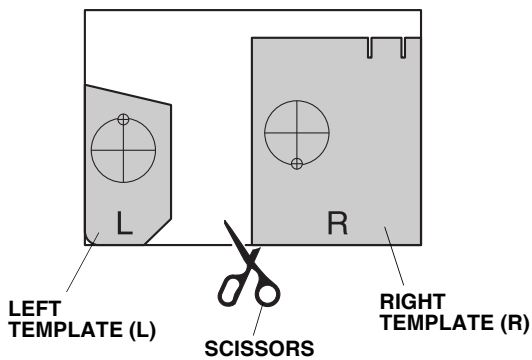
17. Using isopropyl alcohol, clean the area where the aluminum tape will attach (back of the vehicle panel).



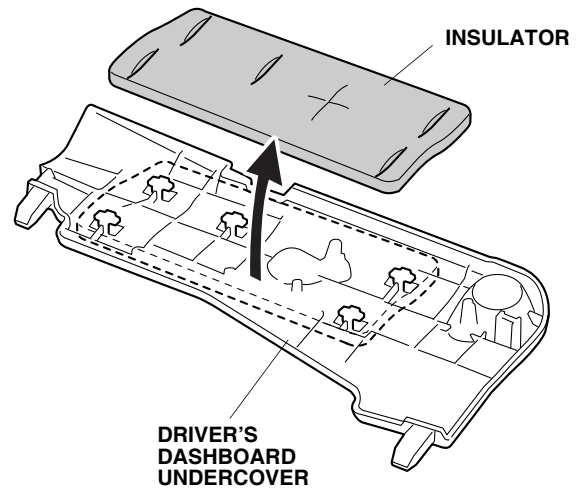
18. Using the aluminum tape, secure the ambient light harness to the back of the vehicle panel.

**Installing the Driver's Side Ambient Light**

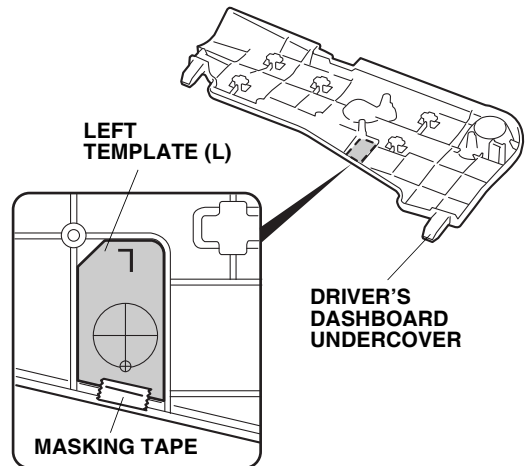
19. Using scissors, cut out the left (L) and right (R) templates.



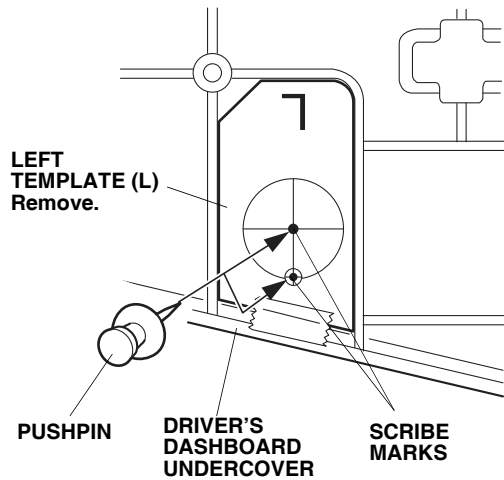
20. Remove the insulator from the driver's dashboard under cover.



21. Using masking tape, attach the left template (L) onto the driver's dashboard undercover at the position shown.

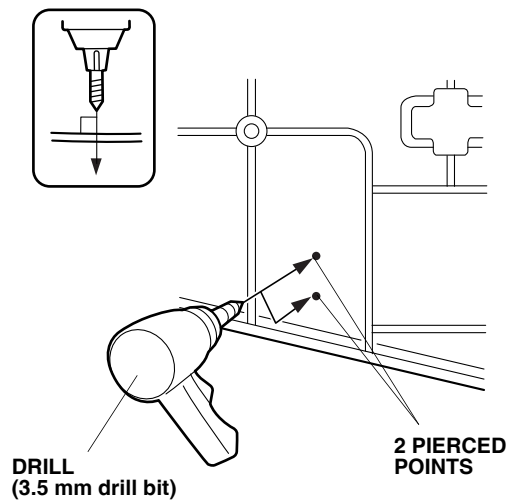


22. Using a pushpin, pierce the center of the two scribe marks on the left template (L).

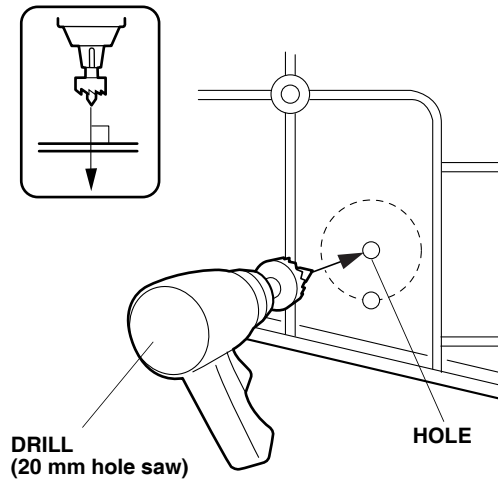


23. Remove the left template (L).

24. While wearing eye protection, drill the pierced marks using a 3.5 mm drill bit.

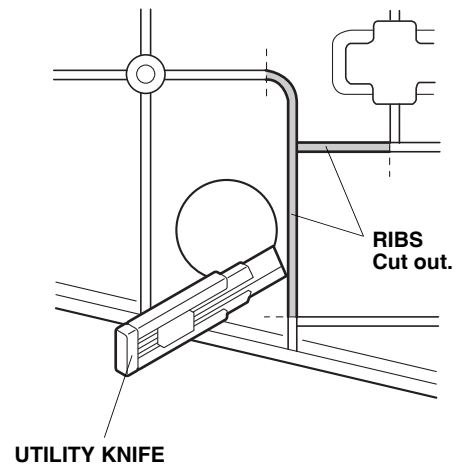


25. While wearing eye protection, drill the hole shown using a 20 mm hole saw.



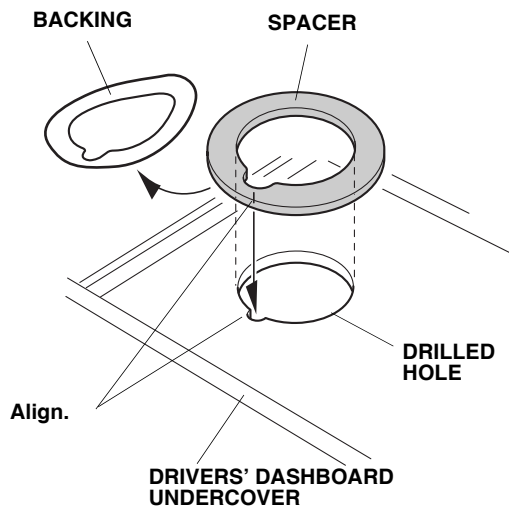
26. Using a file, remove any burrs from the drilled hole.

27. Using a utility knife, cut out the ribs shown.

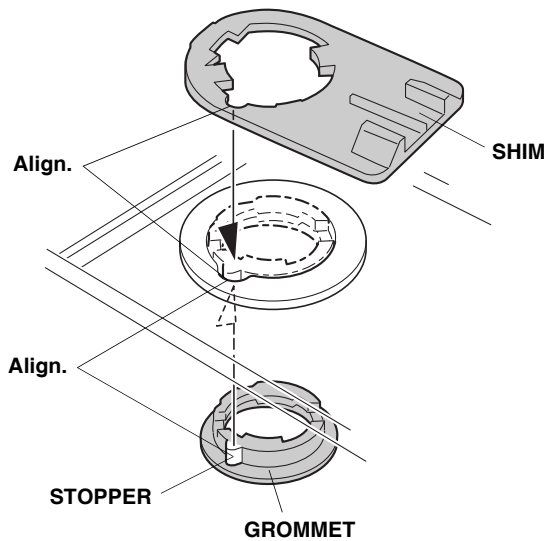


28. Using a file, remove any burrs where the ribs were cut.

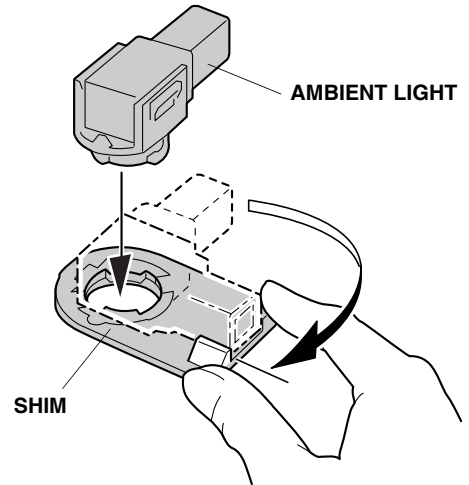
29. Remove the adhesive backing from the spacer, and attach the spacer to the drilled hole in the undercover.



30. Align one shim and one grommet over the drilled hole as shown.

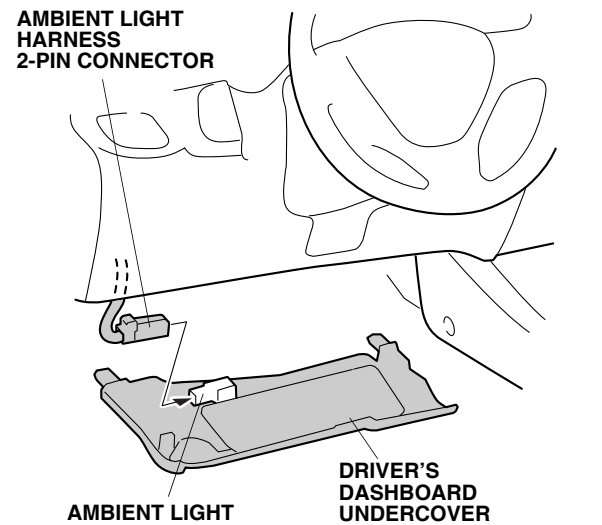


31. Attach the ambient light to the shim, and turn the ambient light clockwise to lock it in place.



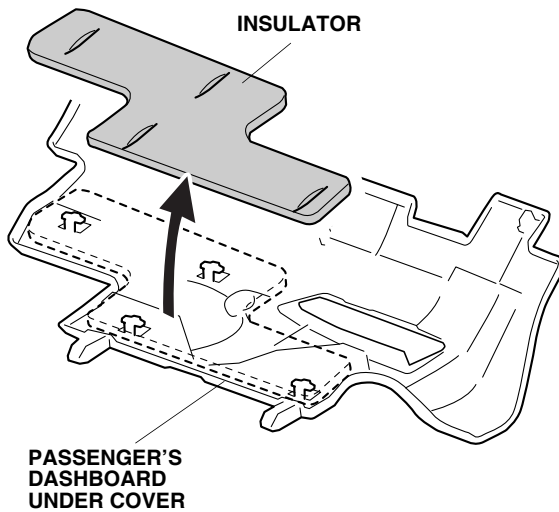
32. Reinstall the insulator.

33. Plug the ambient light harness 2-pin connector into the ambient light, and reinstall the driver's dashboard undercover.

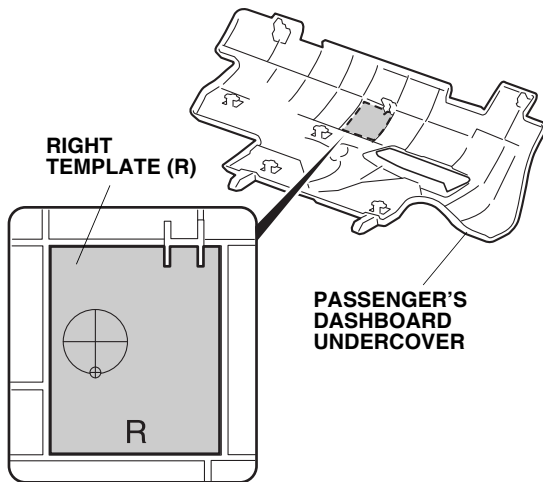


## Installing the Passenger's Side Ambient Light

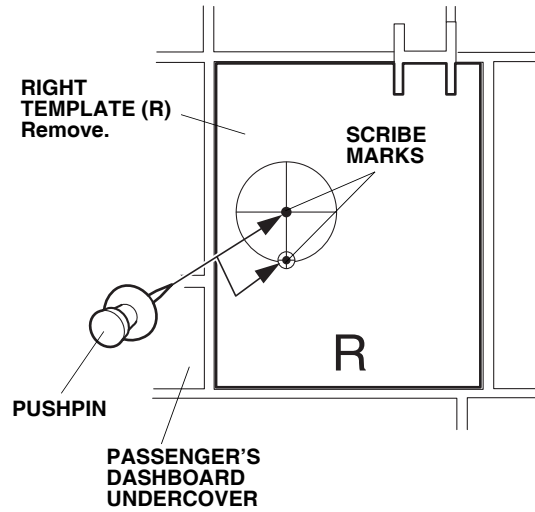
34. Remove the insulator from the passenger's dashboard undercover.



35. Fit the right template (R) onto the passenger's dashboard undercover at the position shown.

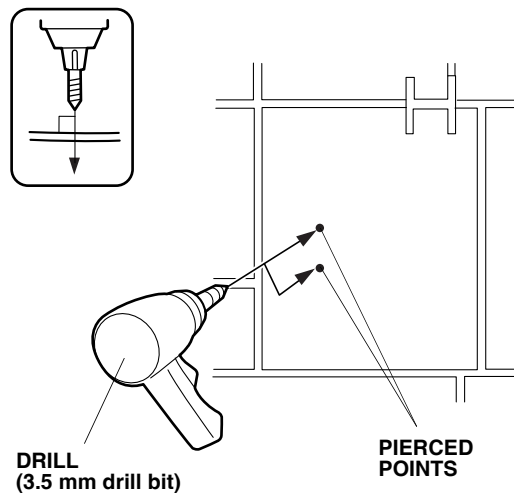


36. Using a pushpin, pierce the center of the two scribe marks on the right template (R).



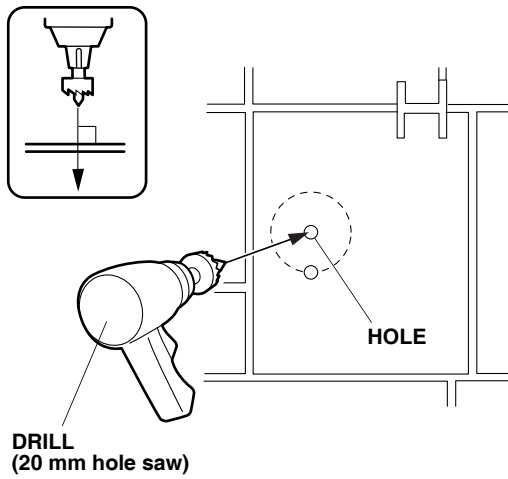
37. Remove the right template (R).

38. While wearing eye protection, drill the pierced marks using a 3.5 mm drill bit.

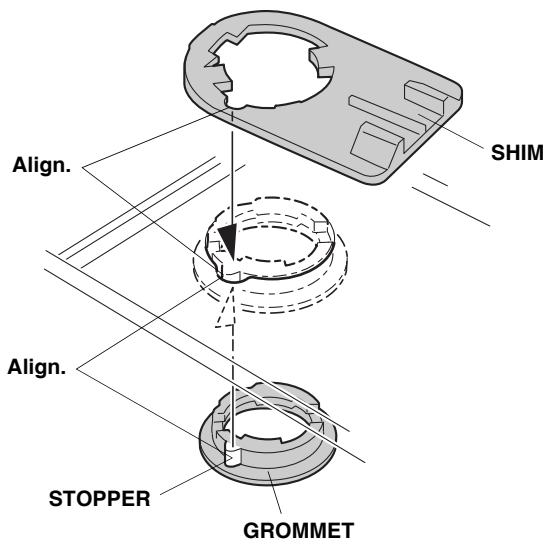




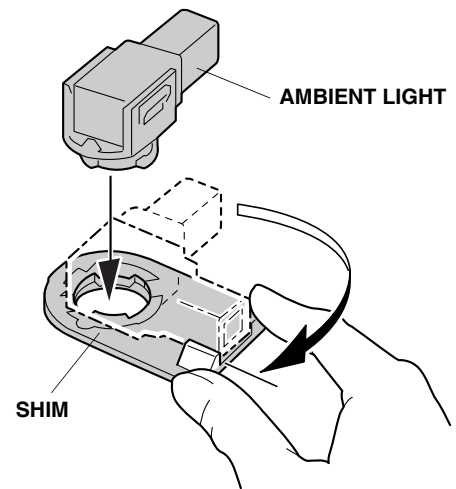
39. While wearing eye protection, drill the hole shown using a 20 mm hole saw.



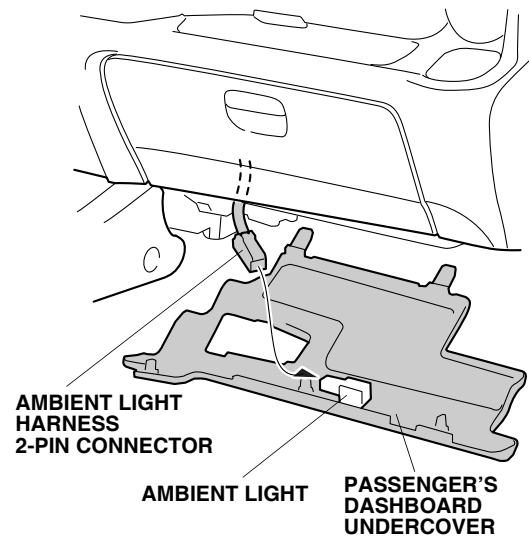
40. Using a file, remove any burrs from the drilled hole.
41. Align one shim and one grommet over the drilled hole as shown.



42. Attach the ambient light to the shim, and turn the ambient light clockwise to lock it in place.

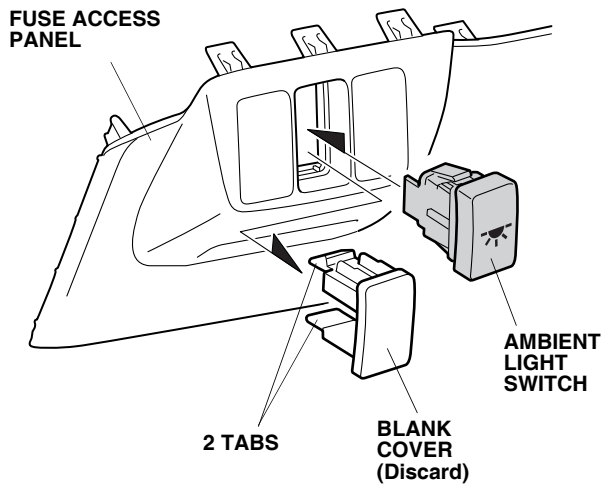


43. Reinstall the insulator.
44. Plug the ambient light harness 2-pin connector into the ambient light, and reinstall the passenger's dashboard undercover.

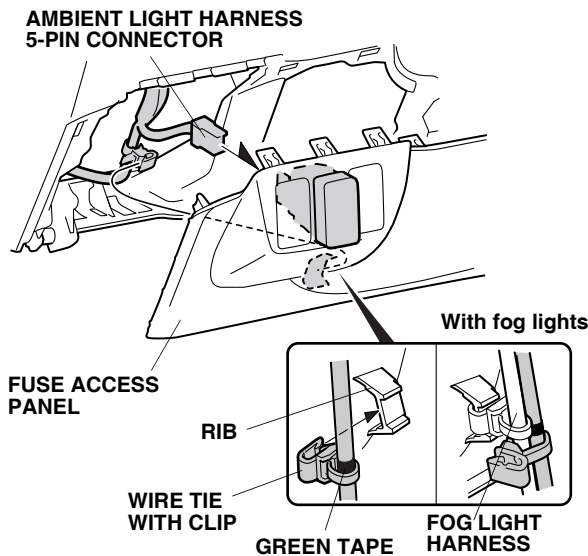


## Installing the Ambient Light Switch

- Remove and discard the blank cover from the fuse access panel (two tabs).



- Install the ambient light switch to the fuse access panel at the location shown.
- With the fuse access panel near the dashboard, plug the ambient light harness 5-pin connector into the ambient light switch.



- Using one wire tie with clip, secure the ambient light harness to the rib of the fuse access panel (If accessory fog lights are installed, secure the ambient light harness to the fog light harness).

- Check that all wire harnesses and cables are routed properly and that all connectors are plugged in.
- Reinstall all removed parts.
- Reconnect the negative cable to the battery.
- Enter the customer's radio presets.
- Reset the clock.

## HOW TO OPERATE

- The ambient lights are only operational when the headlight switch is in the "OFF" position.
- Press the ambient light switch to turn them on or off.

		HEADLIGHT SWITCH		
		OFF		
	AMBIENT LIGHT SWITCH	OFF	-	-
	ON	-	ON	ON