



INSTALLATION INSTRUCTIONS

Accessory
ALL SEASON RUBBER FLOOR MATS

Application
2010 ELEMENT (DOG FRIENDLY PACKAGE)

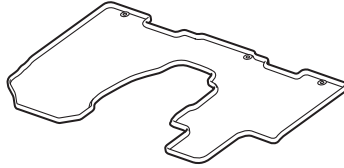
Publications No.
All 42737

Issue Date
NOV 2009

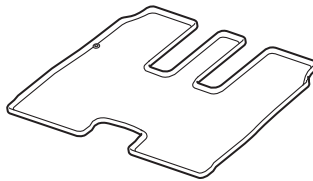
Put this information in the glove box with the vehicle owner's manual.

PARTS LIST

Front mat



Rear mat



3 Front floor mat anchors



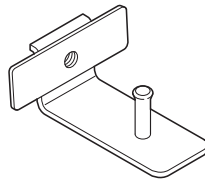
3 Self-tapping screws



Washer-screw



Rear floor mat anchor



TOOLS AND SUPPLIES REQUIRED

Phillips screwdriver

Utility knife

Tape measure

Drill

Electrical tape

3 mm and 6 mm Drill bits

Eye protection (face shield, safety goggles, etc.)

File

INSTALLATION

Customer Information: The information in this installation instruction is intended for use only by skilled technicians who have the proper tools, equipment, and training to correctly and safely add equipment to your vehicle. These procedures should not be attempted by "do-it-yourselfers."

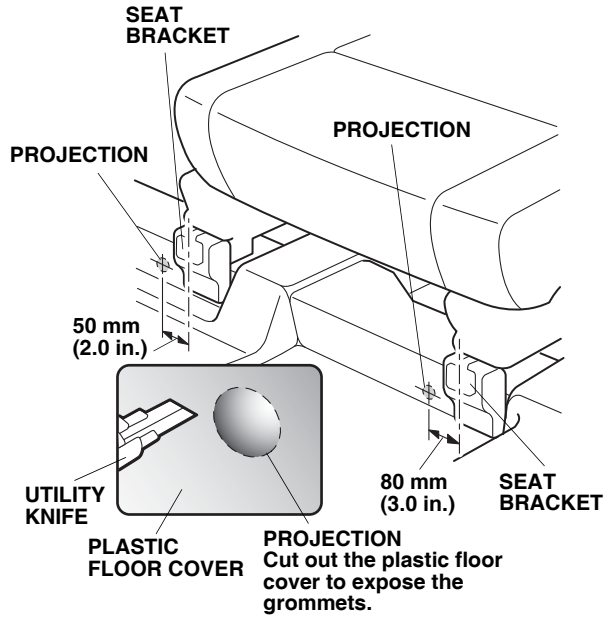
NOTE:

- A floor mat anchor prevents the front mat from sliding forward and possibly interfering with the pedals.
- If you remove the front mat, make sure you re-anchor it when you put it back in your vehicle.
- If you replace the floor mat, use factory floor mats designed to be used with the floor mat anchor.
- If you use a non-factory floor mat in the driver's foot well, make sure it fits properly, and that it can be used with the floor mat anchor.
- Do not put additional floor mats on top of the anchored mat, otherwise the additional mats may slide forward and possibly interfere with the pedals.

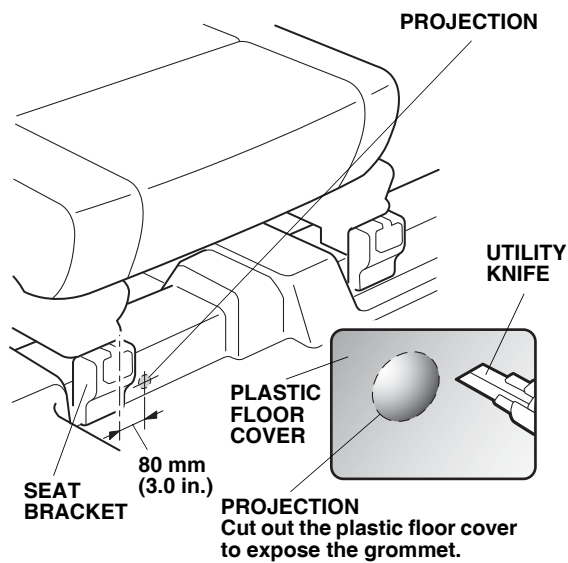
Installing the Front Anchors

1. In front of the driver's and passenger's seats, locate the projections on the plastic floor cover. Using a utility knife, cut out the projections to expose the plastic grommets.

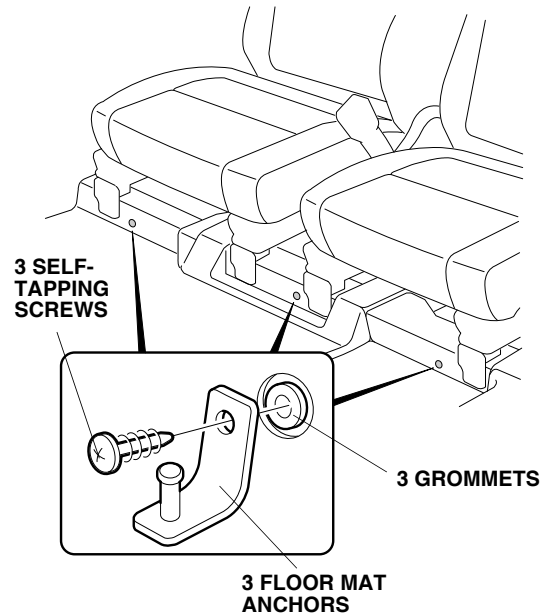
Driver's Seat



Passenger's Seat

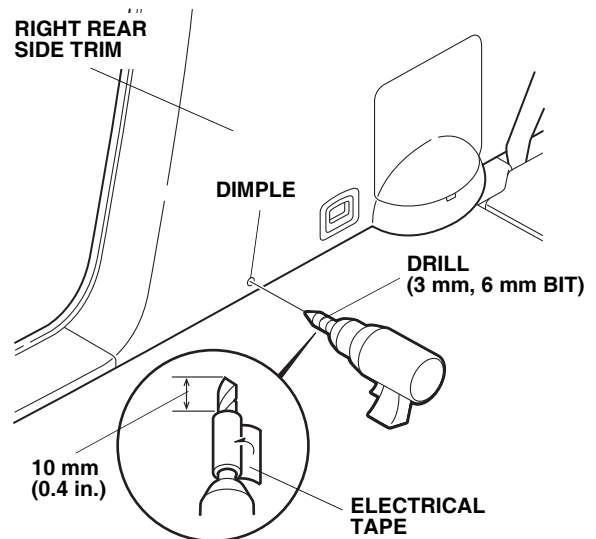


2. Install a front floor mat anchor to each of the three grommets using one self-tapping screw for each floor mat anchor.

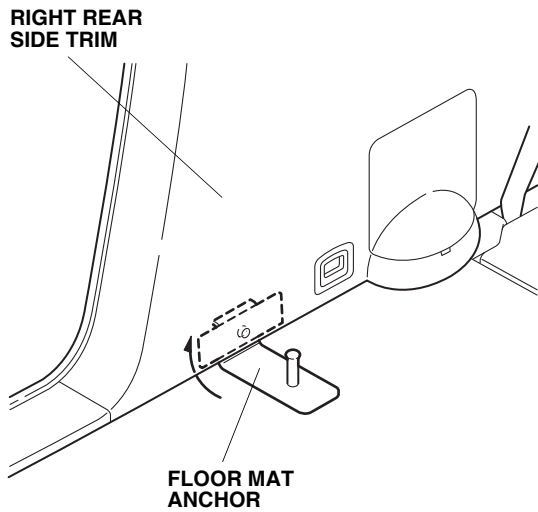


Installing the Rear Anchor

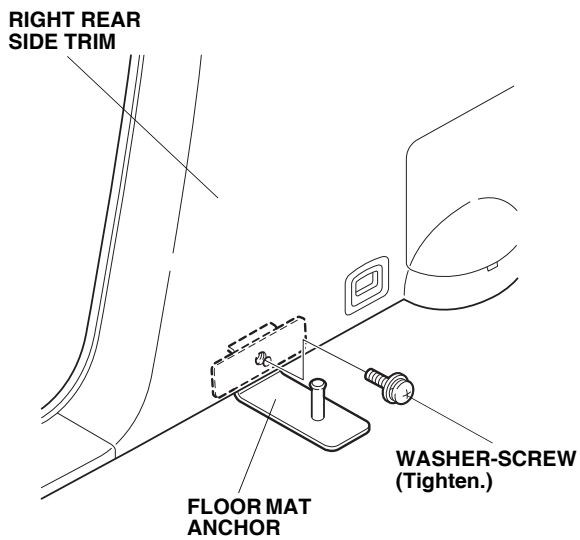
3. Locate the dimple at the bottom of the right rear side trim, and drill a 6.5 mm hole:
 - Wrap electrical tape around a 3 mm, and 6.5 mm drill bit 10 mm (0.4 in.) away from the tip.
 - While wearing eye protection, first drill with a 3 mm drill bit, and finish with a 6.5 mm drill bit.
 - After drilling, remove all burrs from the hole.



4. Insert the rear floor mat anchor behind the right rear side trim.

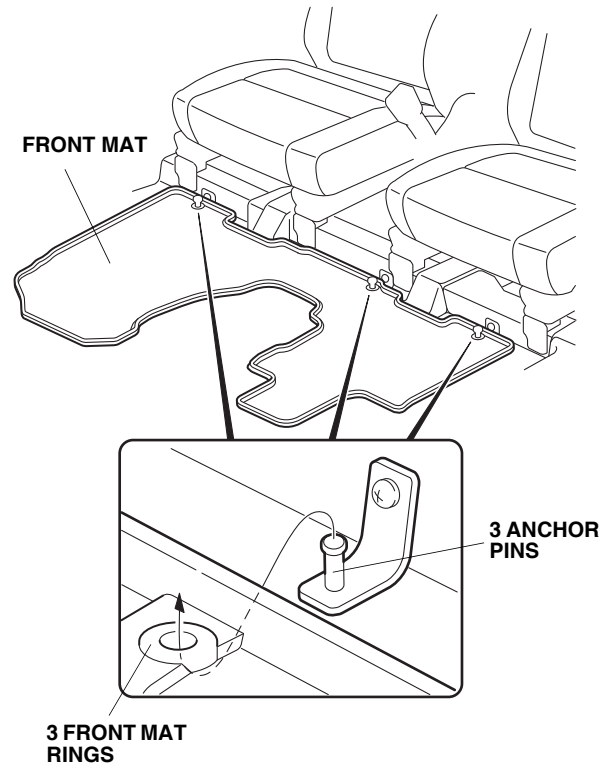


5. Align the floor mat anchor with the hole in the right rear side trim and install the washer-screw. Tighten the washer-screw.



Installing the Floor Mats

6. Install the front mat by inserting the three front mat rings over the three anchor pins.



7. Install the rear mat by inserting the ring in the floor mat anchor over the rear floor mat anchor.

