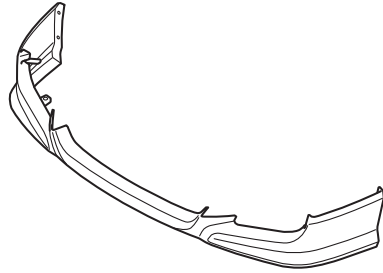
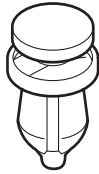


PARTS LIST

Front under spoiler



2 Clips



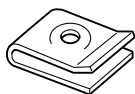
2 Clip retainers



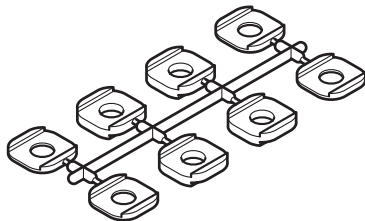
4 Self-tapping screws



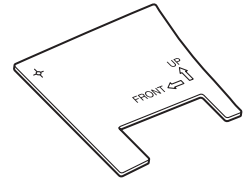
4 Spring nuts



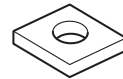
Spacer



Template



2 Sponge seals

**TOOLS AND SUPPLIES REQUIRED**

Phillips screwdriver

Clip remover

Eye protection (face shield, safety goggles, etc.)

Drill

3 mm, 10 mm, and 12 mm Drill bits

Rubber roller (EQSE54D)

File

Pushpin

Masking tape

Shop towel

Isopropyl alcohol

Diagonal cutters

Tape

INSTALLATION

Customer Information: The information in this installation instruction is intended for use only by skilled technicians who have the proper tools, equipment, and training to correctly and safely add equipment to your vehicle. These procedures should not be attempted by “do-it-yourselfers.”

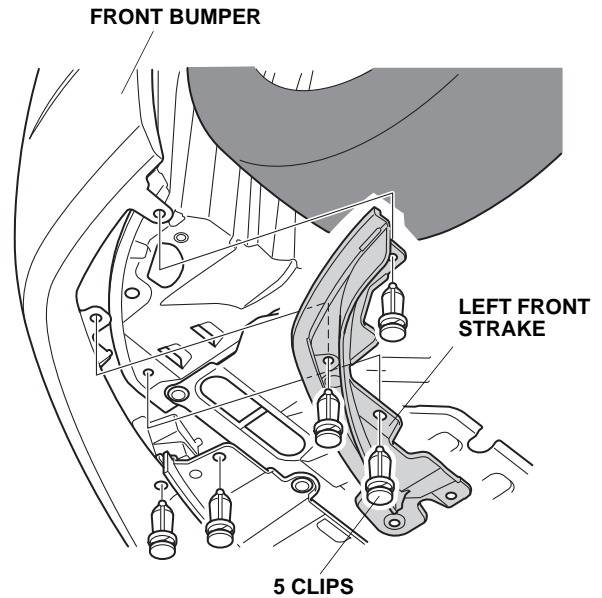
NOTE:

- Can not install with nose mask.
- Using isopropyl alcohol on a shop towel, thoroughly clean the area where the front under spoiler will attach. Use a shop towel to apply the isopropyl alcohol and wipe up spills at once. Allow the isopropyl alcohol to dry thoroughly before attaching the front under spoiler.
- Be careful not to damage the body paint finish.
- This front under spoiler kit should be installed only if the ambient air temperature is 15°C (60°F) or above. Heat the front under spoiler and bonding surfaces with a hair dryer set on LOW if the ambient air temperatures is below.
- Wash and wax the area to be covered with a high-quality paste wax.
- To allow the adhesive to cure, do not wash the vehicle for 24 hours.
- Lift up the vehicle as described in the service manual.

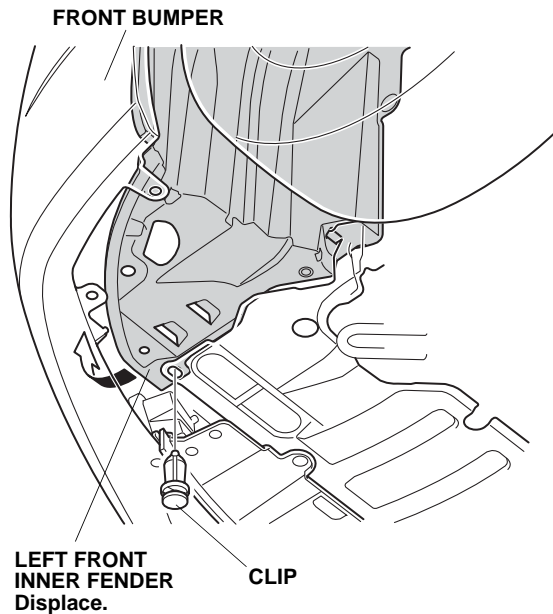
Without fog lights

With fog lights: Go to step 7.

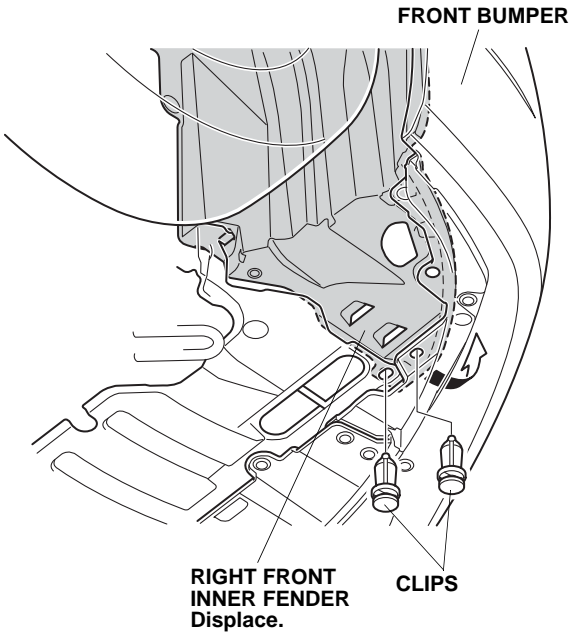
1. Remove the left front strake (five clips).



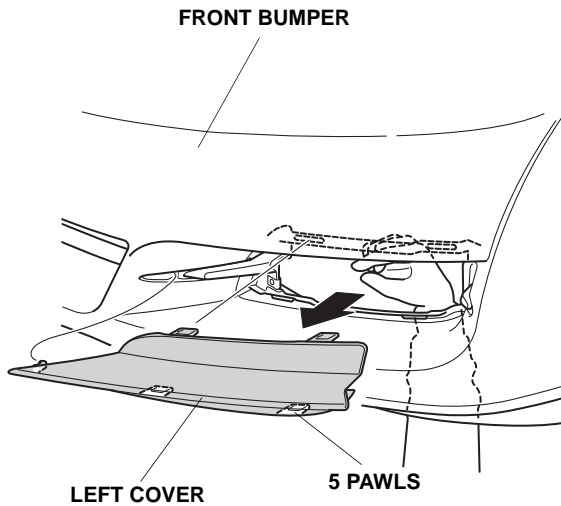
2. Displace the left front inner fender (one clip).



3. Displace the right front inner fender (two clips).



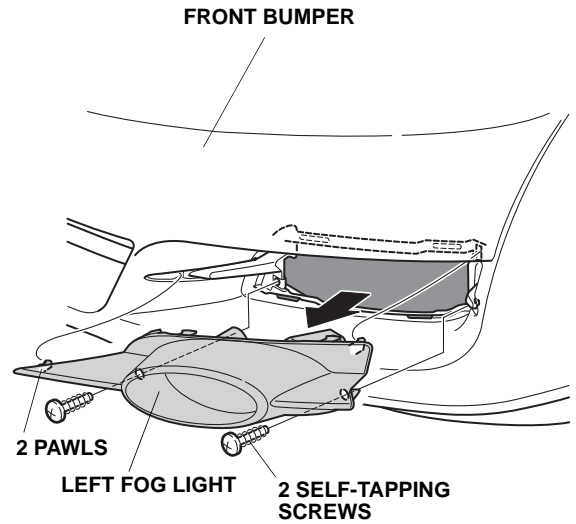
4. Remove the left cover (five pawls).



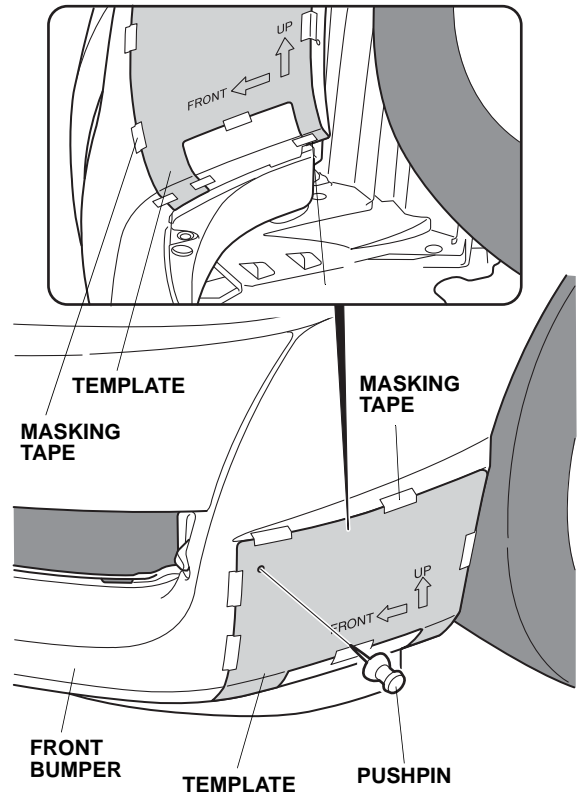
5. Repeat step 4 on the other side.
6. Reinstall the left front strake and the eight clips. Go to step 10.

With fog lights

7. Remove two self-tapping screws.

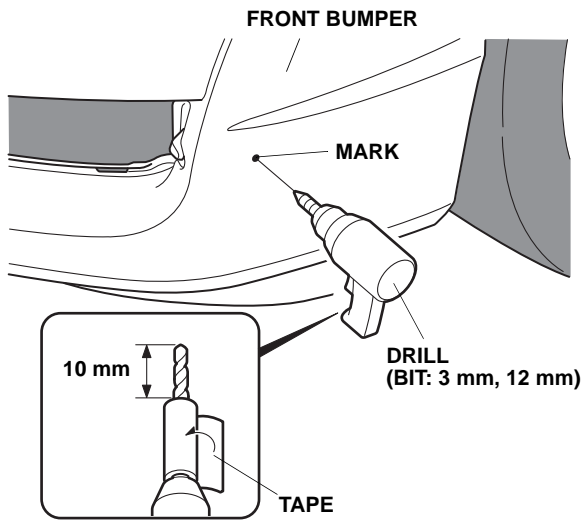


8. Remove the left fog light (two pawls and vehicle connector).
9. Repeat steps 7 and 8 on the other side.
10. Align the template with the front bumper. Using a pushpin, pierce the front bumper to make one mark as shown.

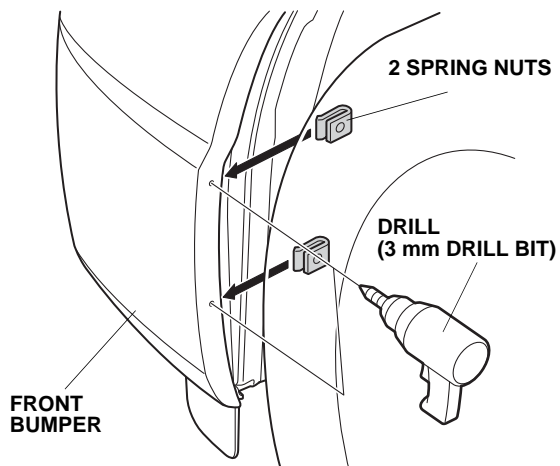


11. Remove the template.

12. While wearing eye protection, drill a 3 mm hole through the mark on the front bumper as shown. Finish with a 12 mm bit. Wrap tape around the drill bit 10 mm away from the tip.

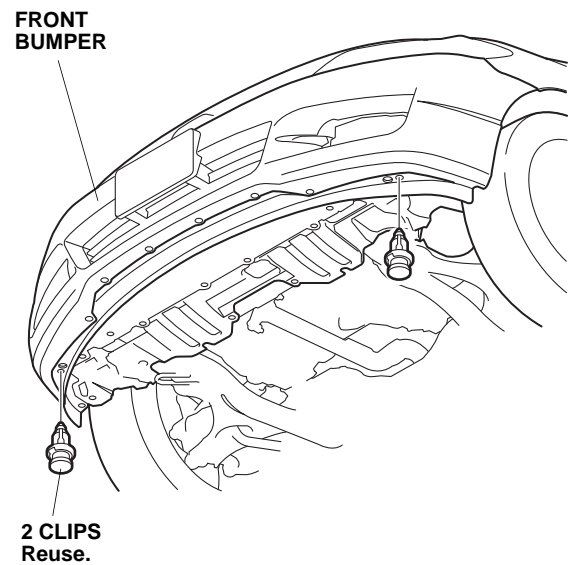


13. Remove any burrs from the edge of the hole.
14. Reverse the template and repeat steps 10 thru 13 on the other side.
15. Drill a 3 mm hole through the center of the two dimpled areas on the front bumper as shown.

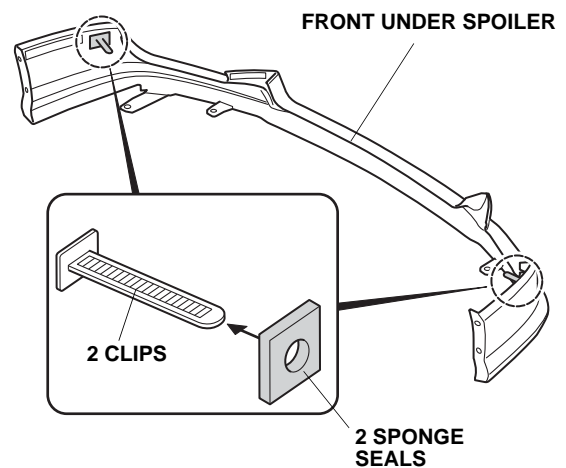


16. Remove any burrs from the edge of the holes.
17. Slide the two spring nuts over the two holes drilled in the front bumper.
18. Repeat steps 15 thru 17 on the other side.

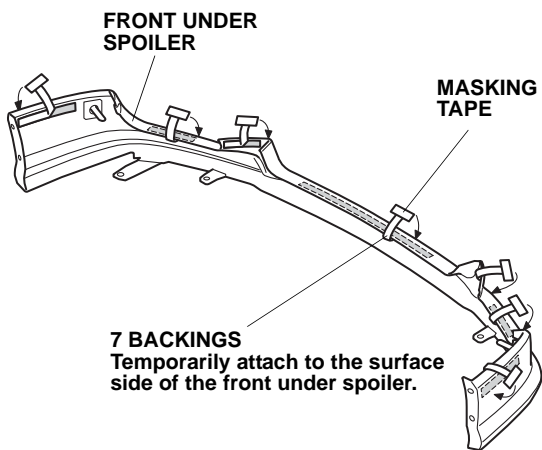
19. Remove the two clips securing the front bumper.



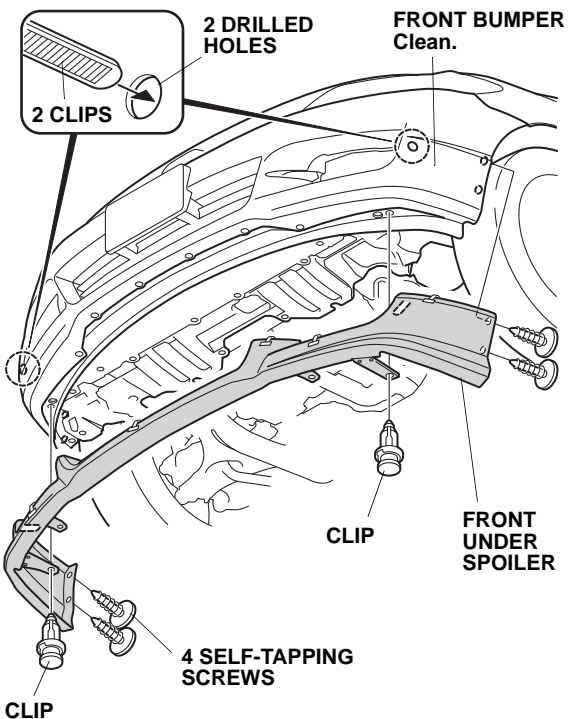
20. Attach one sponge seal to each clip on the front under spoiler as shown.



- Attach a strip of masking tape to the end of each backing, and peel back 30 to 40 mm of the backings. Fold the ends back, and tape them to the front of the front under spoiler.

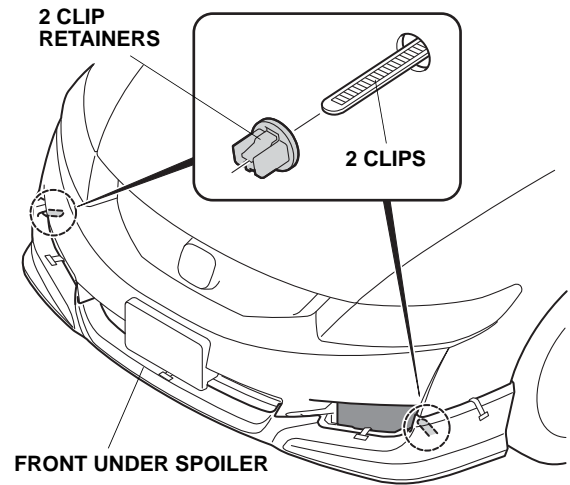


- Using isopropyl alcohol on a shop towel, clean the front bumper where the front under spoiler will attach.

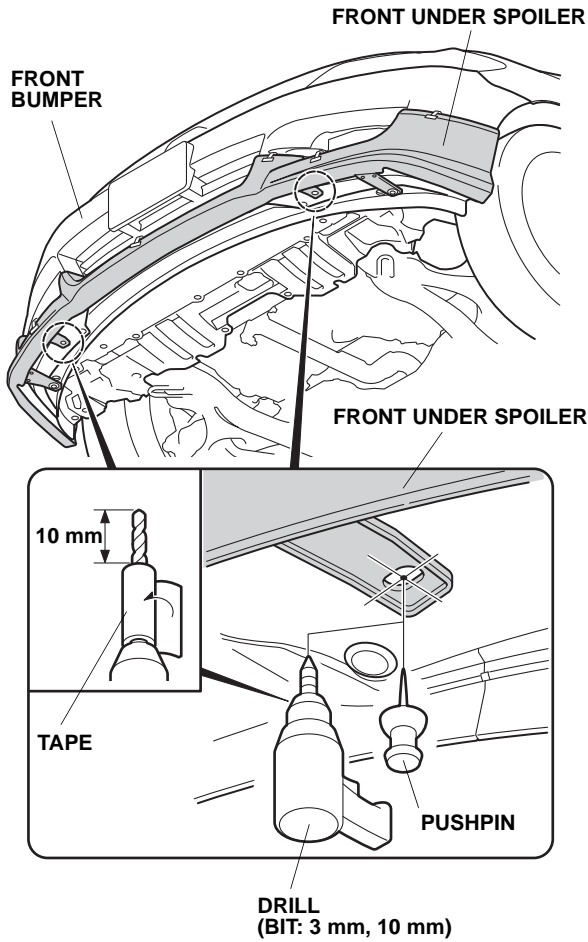


- Position the front under spoiler on the front bumper, and loosely tighten four self-tapping screws as shown.
- Attach two clips as shown.

- Temporarily install one clip retainer on each clip on the front under spoiler as shown.

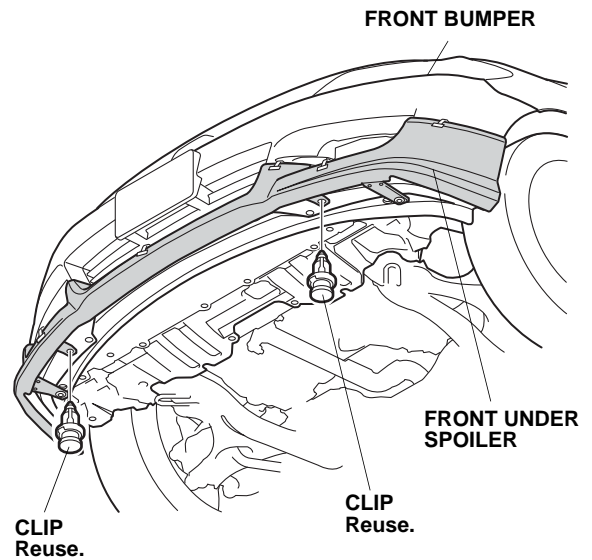


26. With the vehicle on a lift use a pushpin to pierce the front bumper as shown.

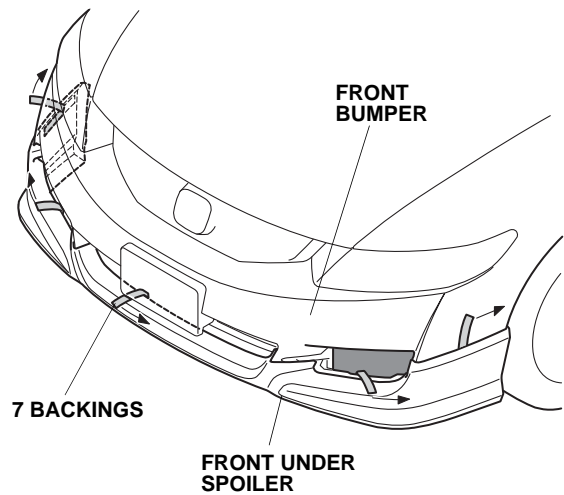


27. While wearing eye protection, drill a 3 mm hole through the mark on the front bumper as shown. Finish with a 10 mm bit. Wrap tape around the drill bit 10 mm away from the tip.
28. Repeat steps 26 and 27 on the other side.

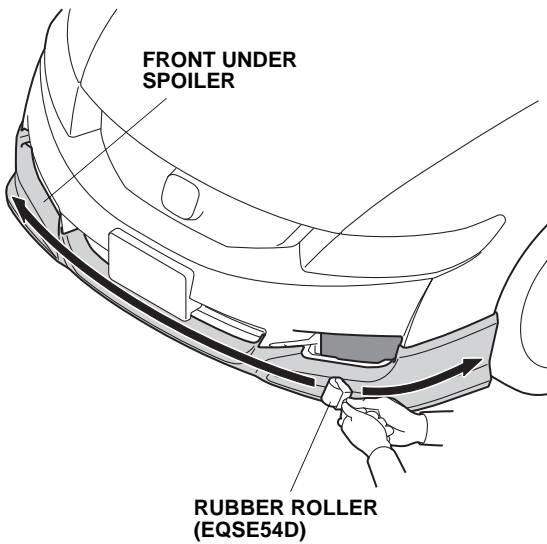
29. Using the two clips removed in step 19, secure the front under spoiler to the front bumper.



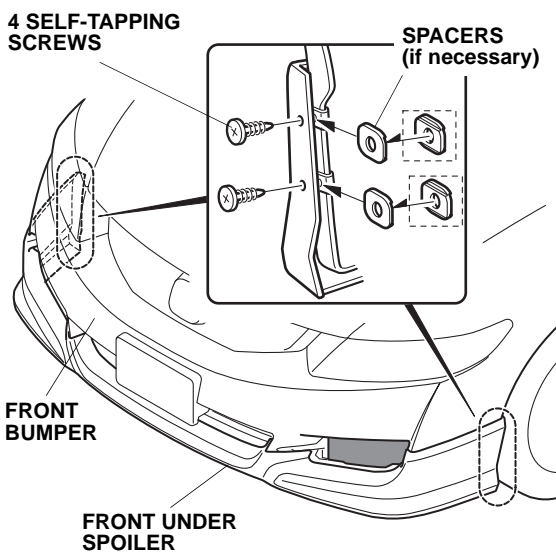
30. Lower the vehicle.
31. While applying pressure on the front under spoiler, carefully remove the backings from the center outwards. Hold the front under spoiler firmly against the front bumper with your hands for 30 seconds.



32. Using a rubber roller, apply firm pressure while rolling to set the adhesive.



33. Tighten the four self-tapping screws installed in step 23.
- Using a diagonal cutters, cut the spacers apart.
 - Spacer thickness of "1" and "2" represent 1 mm and 2 mm respectively.
 - Do not use the spacers by combining the spacers of "2" together.



34. Tighten the two clip retainers temporarily installed in step 25.
35. Reinstall all removed parts.

Give a copy of this page to your customer.

- When towing the vehicle, follow the instructions described in the vehicle owner's manual.

