



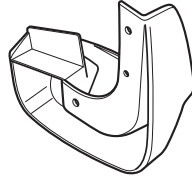
INSTALLATION INSTRUCTIONS

Accessory SPLASH GUARDS	Application 2010 CIVIC 4-DOOR	Publications No. All 42462
		Issue Date SEP 2009

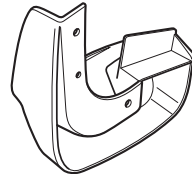
NOTE: Splash guards cannot be installed on a vehicle equipped with a rear under spoiler or a side under spoiler.

PARTS LIST

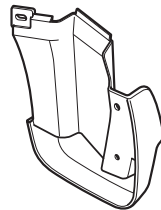
Left front splash guard



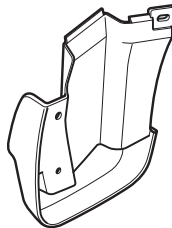
Right front splash guard



Left rear splash guard



Right rear splash guard



8 Self-tapping screws, 5 x 20 mm



4 Self-tapping screws, 5 x 25 mm



4 Spring nuts



2 Grommets



TOOLS REQUIRED

- Stubby Phillips screwdriver
- Phillips screwdriver
- Clip remover
- Pushpin
- Utility knife

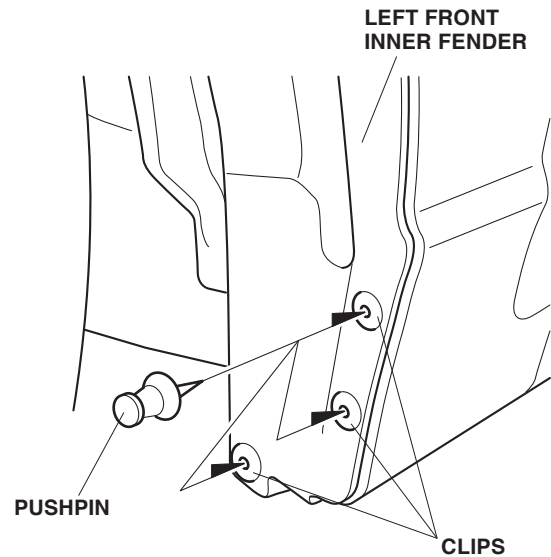
INSTALLATION

NOTE:

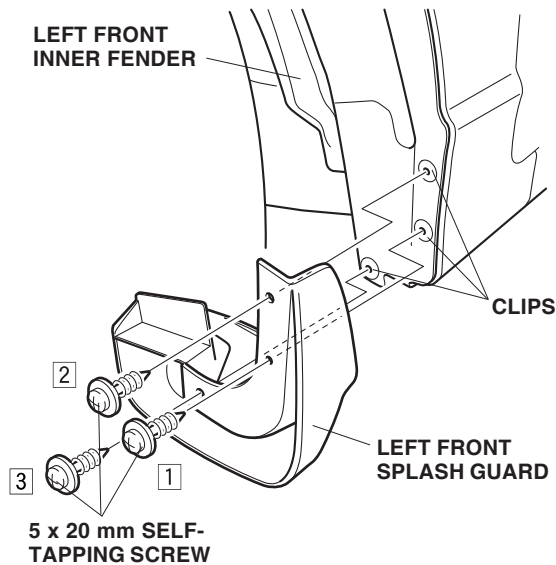
- These instructions show the left splash guards being installed. The same procedure applies to installing the right splash guards.
- Clean and wax the areas to be covered with a high-quality paste wax.

Installing the Front Splash Guards

1. Turn the steering wheel all the way counterclockwise.
2. Using a pushpin, make small holes through the center of the three clips.



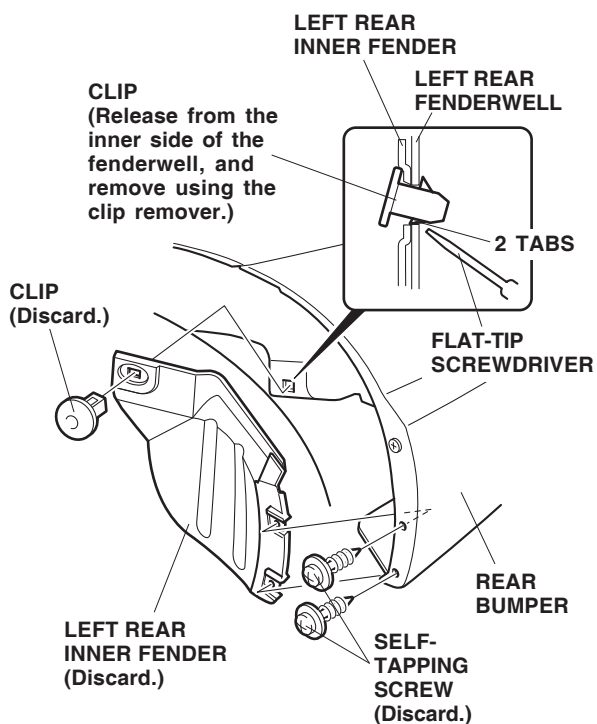
- Position the left front splash guard on the left front inner fender, and install the three 5 x 20 mm self-tapping screws. Tighten the three self-tapping screws in the order shown.



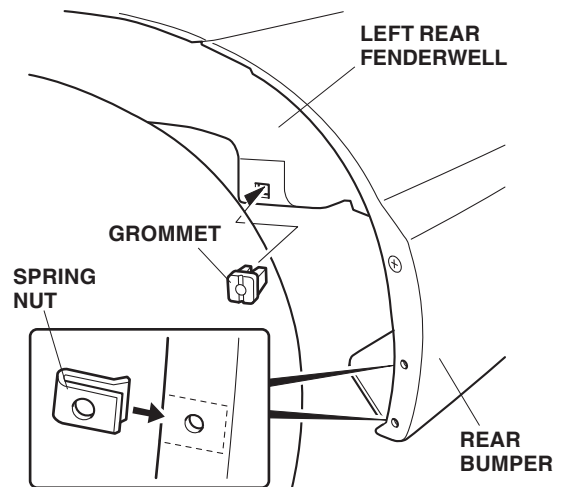
- Turn the steering wheel all the way clockwise, and repeat steps 2 and 3 to install the right front splash guard.

Installing the Rear Splash Guards

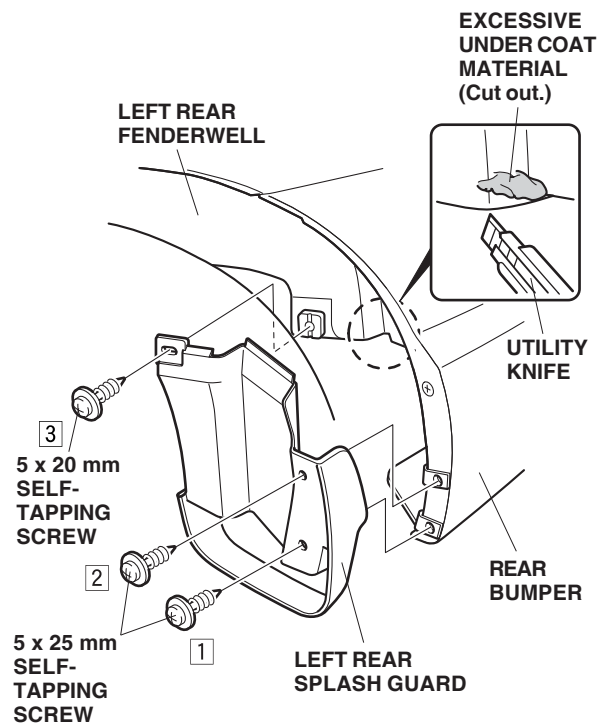
- If equipped, remove and discard the left rear inner fender (two self-tapping screws and one clip).



- Install one grommet into the hole in the left rear fenderwell. Slide two spring nuts over the holes in the rear bumper.



- Position the left rear splash guard on the left rear fenderwell and rear bumper, then install the two 5 x 25 mm self-tapping screws and one 5 x 20 mm self-tapping screw. Tighten the three self-tapping screws in the order shown cut off any excessive under coat material with a utility knife.



- Repeat steps 5 through 7 to install the right rear splash guard.