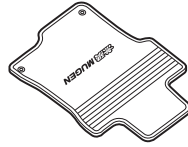


PARTS LIST

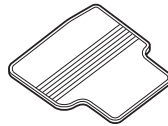
Driver's sport floor mat



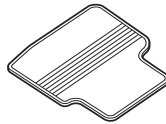
Passenger's sport floor mat



Right rear sport floor mat



Left rear sport floor mat



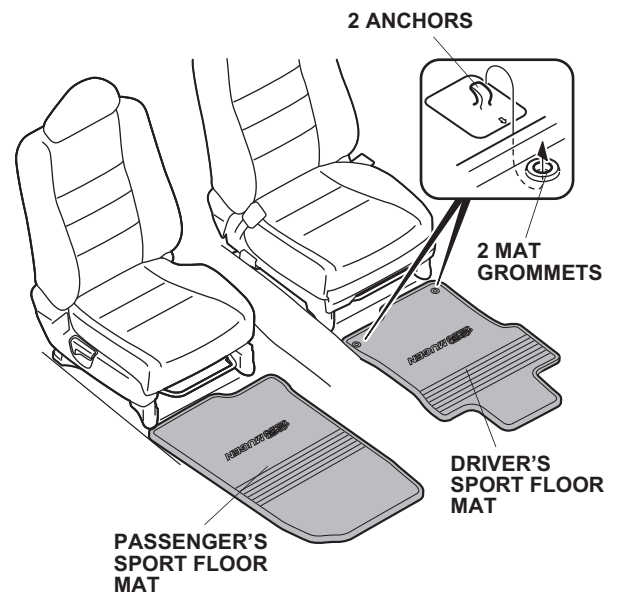
INSTALLATION

NOTE:

- Before installing the sport floor mats, identify their installation positions.
- Remove the standard floor mats before installing these floor mats.
- Holders or anchors are required for the driver's side of the vehicle; the holders or anchors prevent the mat from sliding forward and possibly interfering with the pedals.
- If you remove the floor mat, make sure you re-anchor it when you put it back in your vehicle.
- If you replace the mat, use a factory mat designed to be used with the holders or anchors.
- If you use a non-factory mat in the driver's footwell, make sure it fits properly and that it can be used with the holders or anchors.
- **Do not put any additional mats on top of the anchored mat. The additional mat may slide forward and possibly interfere with the pedals.**

Installing the Front Sport Floor Mats

1. Remove the driver's, passenger's and rear seat vehicle floor mats as described in the vehicle owner's manual. **Do not simply lay the sport floor mats on top of the factory installed mats. The unsecured driver's mat could slide forward and possibly interfere with the control pedals.**
2. Install the driver's sport floor mat by placing the two mat grommets over the two anchors on the floor carpet.



3. Install the passenger's sport floor mat.
4. Install the two rear sport floor mats according to the mark, LEFT REAR and RIGHT REAR, imbedded on the under side of each rear sport floor mat.

