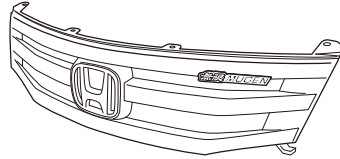


**PARTS LIST**

Front grille



4 Clips

**TOOLS AND SUPPLIES REQUIRED**

Stubby Phillips screwdriver

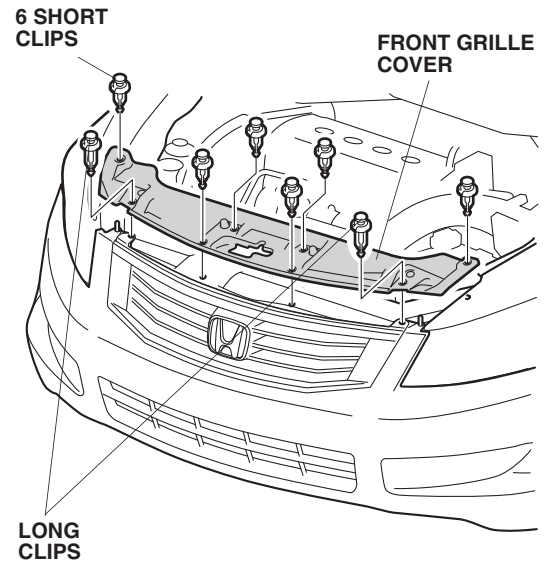
Flat-tip screwdriver

Clip remover

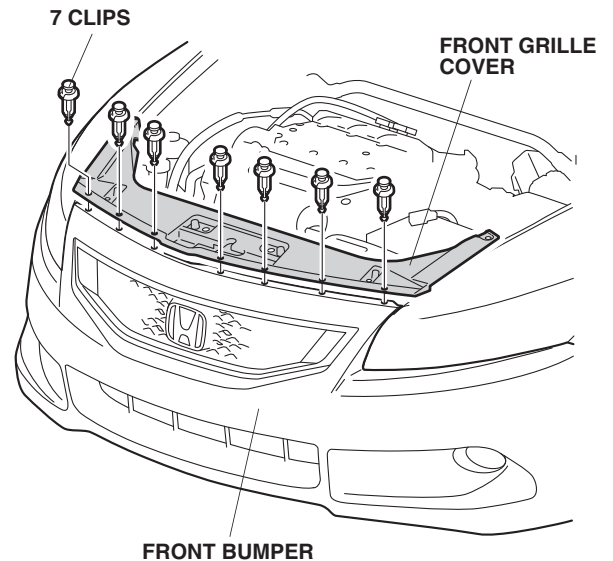
**INSTALLATION**

1. Remove the front grille cover.

**L4 Model:** Remove the six short clips and two long clips.



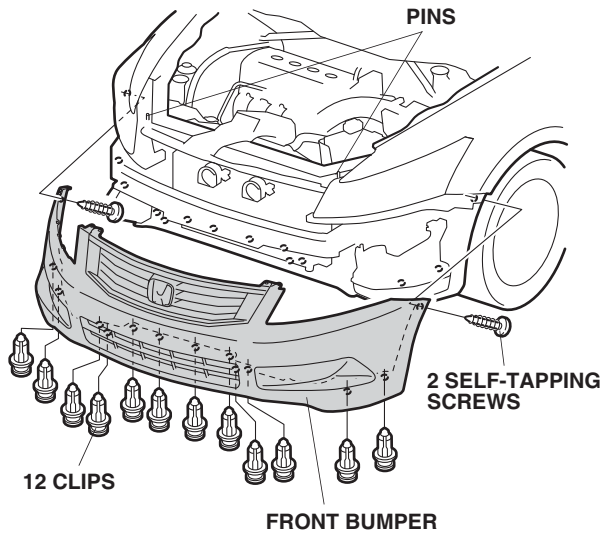
**V6 Model:** Remove the seven clips.



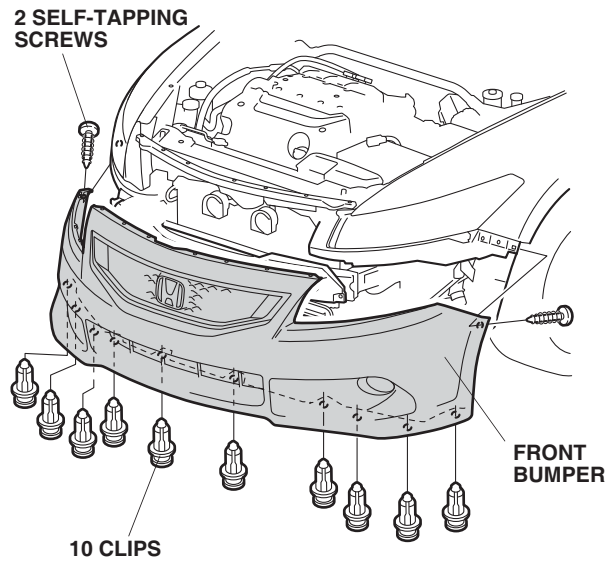
2. Remove the front bumper.

NOTE: Have an assistant help you when removing and installing the front bumper.

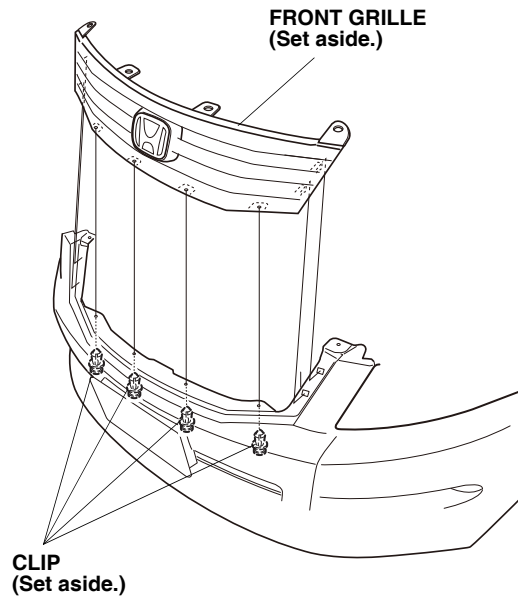
**L4 Model:** Remove the two self-tapping screws 12 clips, and two pins.



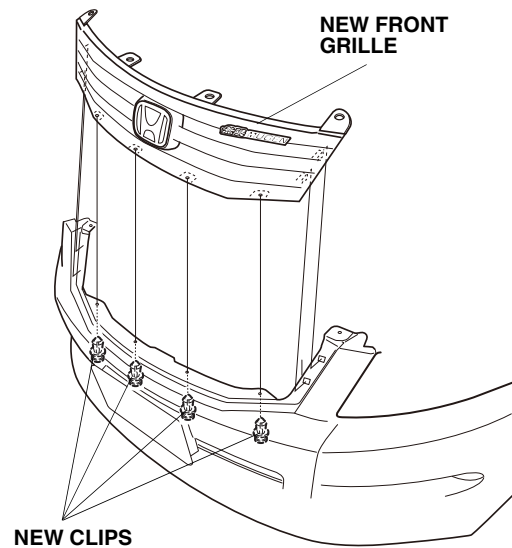
**V6 Model:** Remove the two self-tapping screws, and the ten clips.



3. Remove the front grille (four clips). Set the grille and clips aside; they will not be reused.

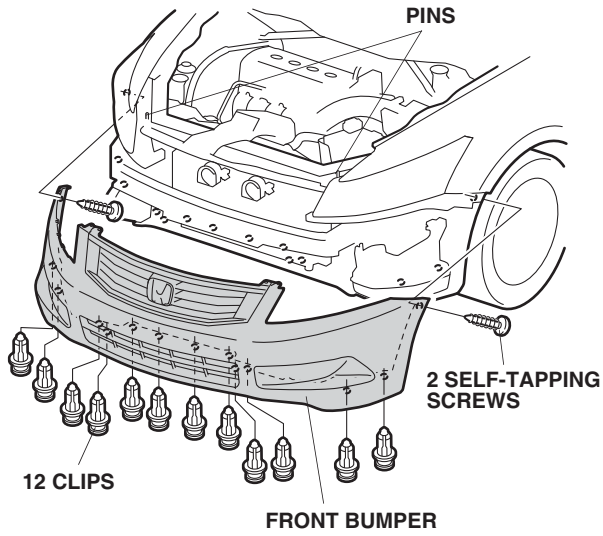


4. Place the new grille with the top edge of the bumper, and install the four new clips.

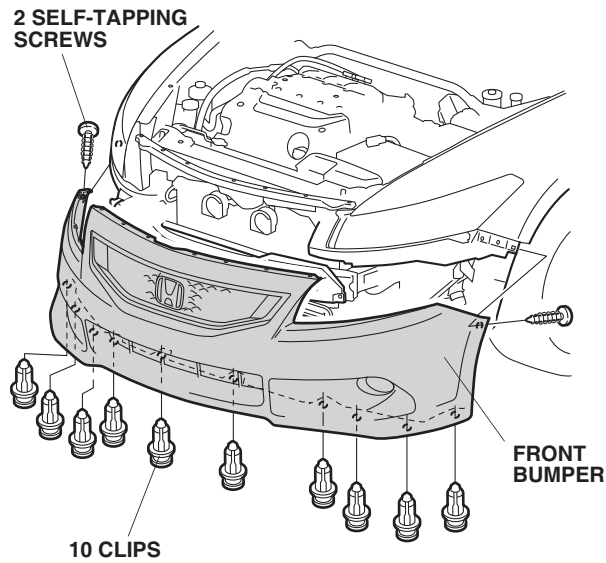


5. Reinstall the front bumper.

**L4 Model:** Install the two self-tapping screws and the 12 clips

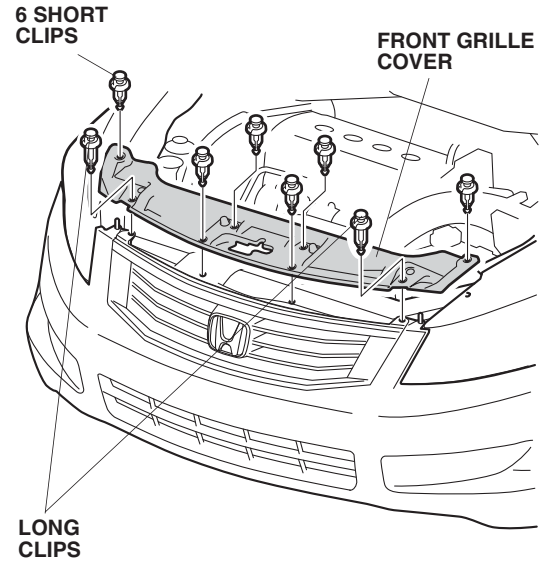


**V6 Model:** Install the two self-tapping screws, and the ten clips.



6. Reinstall the front grille cover.

**L4 Model:** Install the six short clips and two long clips.



**V6 Model:** Install the seven clips.

