



# INSTALLATION INSTRUCTIONS

Accessory

REAR CARGO TRAY  
P/N 08U45-SJC-100

Application

2009 RIDGELINE

Publications No.

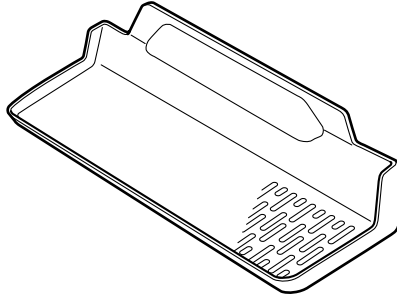
All 40305

Issue Date

AUG 2008

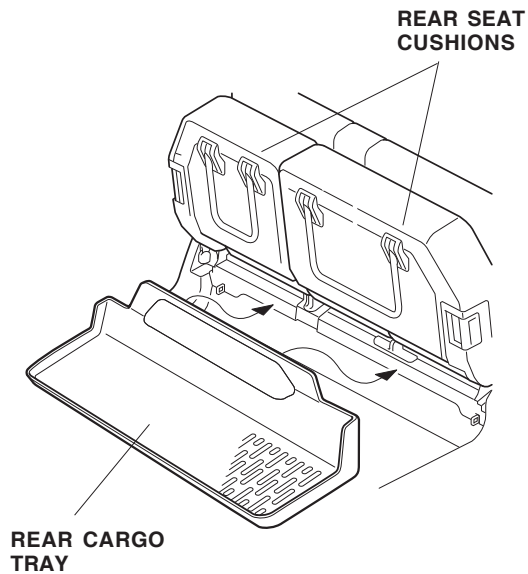
## PARTS LIST

Rear cargo tray



## INSTALLATION

1. Raise both rear seat cushions.
2. Position the rear cargo tray on the floor mat under the seat cushions.



3. Return the rear seat cushions to their original positions.