



# INSTALLATION INSTRUCTIONS

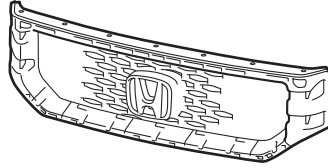
Accessory  
**FRONT GRILLE**  
P/N 08F21-SJC-100B

Application  
**2009 RIDGELINE**

Publications No.  
**All 40318**  
Issue Date  
**JUL 2008**

## PARTS LIST

Front Grille



H emblem



## TOOL AND SUPPLIES REQUIRED

Phillips screwdriver

Flat-tip screwdriver

Plastic trim tool  
(T/N SILTRIMTL10)

Utility Knife

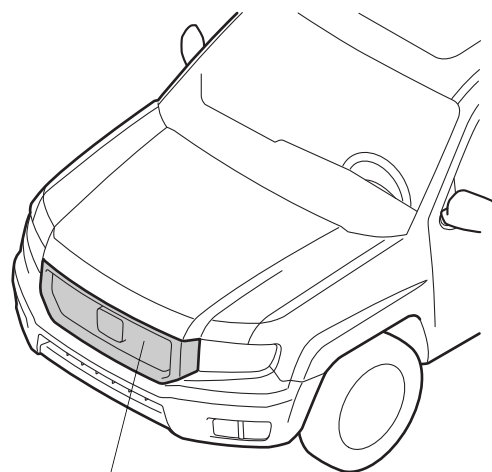
File

Shop towel

Diagonal cutter

Blanket

### *Illustration of the Front Grille on the Vehicle*



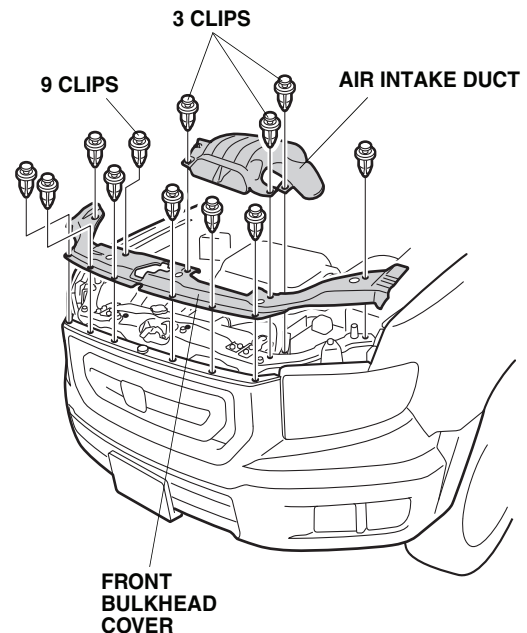
**FRONT GRILLE**

## INSTALLATION

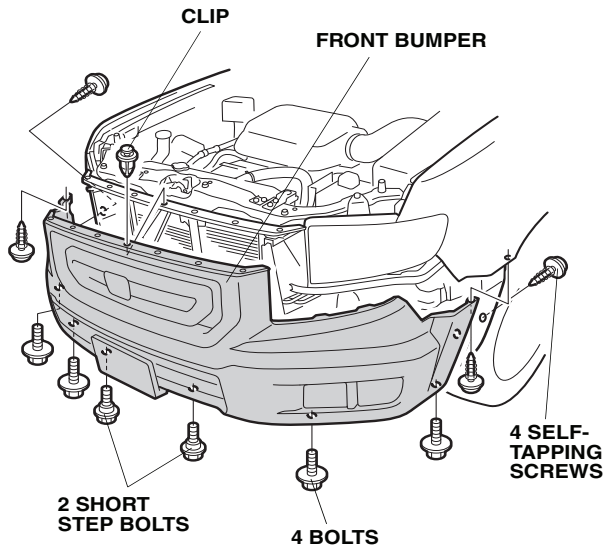
### NOTE:

**Customer Information:** The information in this installation instruction is intended for use only by skilled technicians who have the proper tools, equipment, and training to correctly and safely add equipment to your vehicle. These procedures should not be attempted by "do-it-yourselfers."

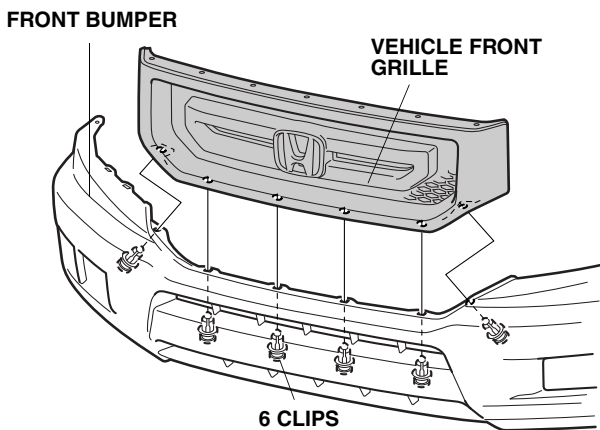
- Do not damage the body paint finish when removing and installing the front grille.
  - Before removing the parts of the vehicle, note the location of the parts and how they are installed so they can be reinstalled in the original positions securely.
  - Release or remove the retaining tabs and clip from the part with care. Upon installation, secure the parts with the retaining tabs, clips, etc.
1. Remove the air intake duct and the front bulkhead cover (12 Clips).



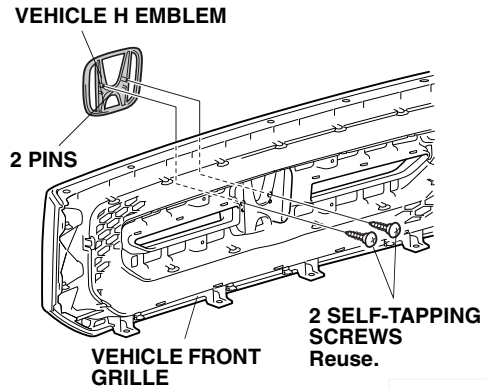
- Remove the front bumper (1 clip, 4 bolts, 2 short step bolts and 4 self-tapping screws). Have an assistant help you when removing and installing the front bumper. If the vehicle is equipped with fog lights, unplug the fog light connectors. Place the front bumper on a blanket after removal.



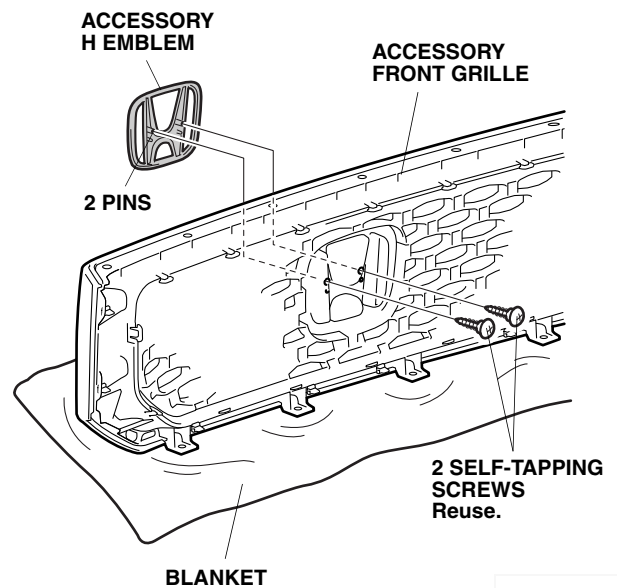
- Remove the vehicle front grille (six clips).



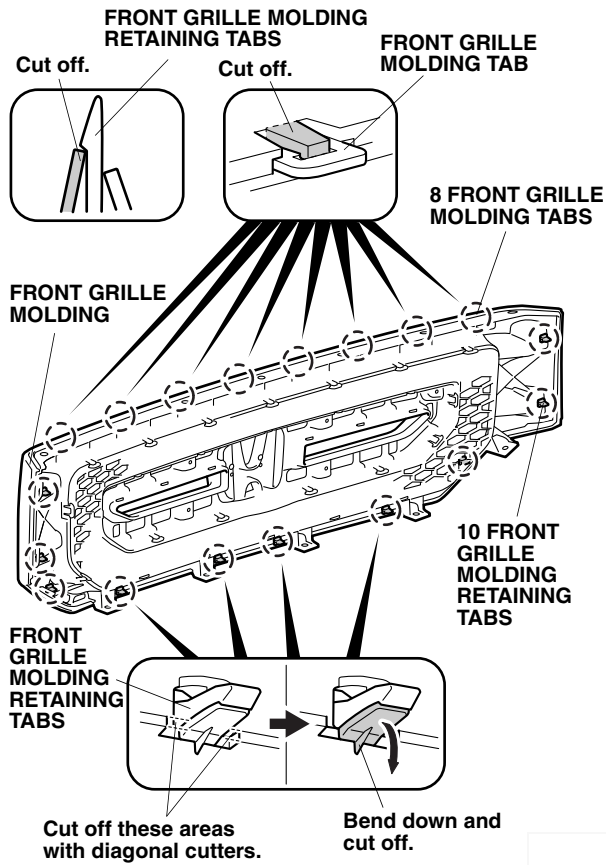
- Remove the vehicle H emblem on the vehicle front grille (two self-tapping screws and two pins).



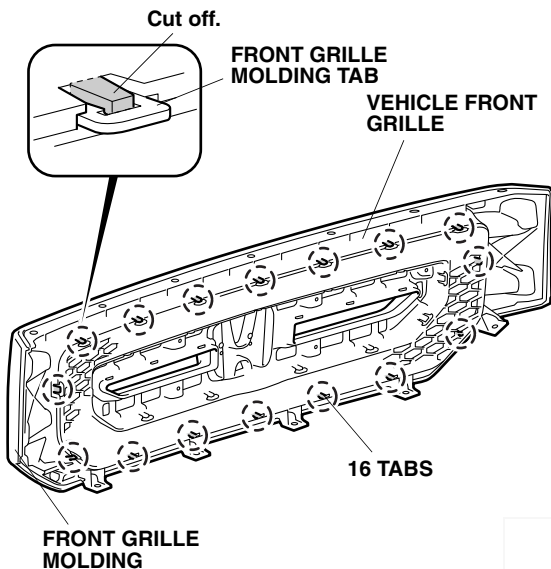
- With the accessory front grille on a blanket, install the accessory H emblem to the accessory front grille with two pins and two self-tapping screws.



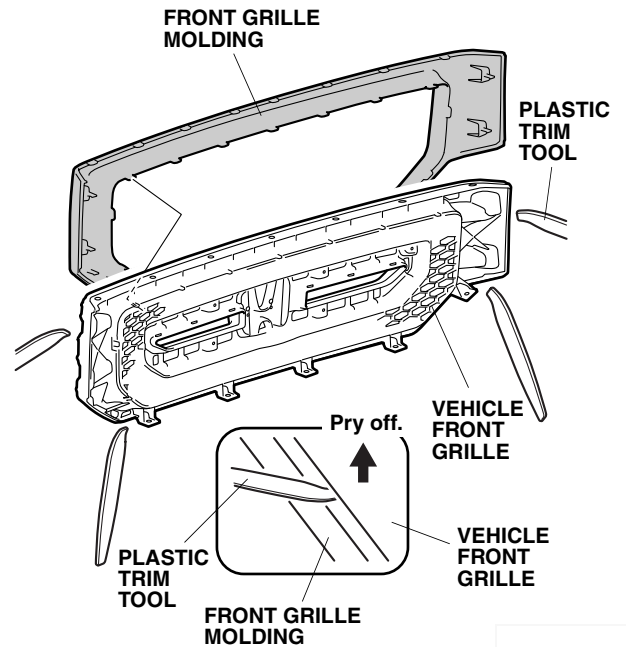
6. Inside the vehicle front grille, cut off 18 areas of the vehicle front grille as shown. Do not damage the front grille molding tabs when cutting the vehicle front grille.



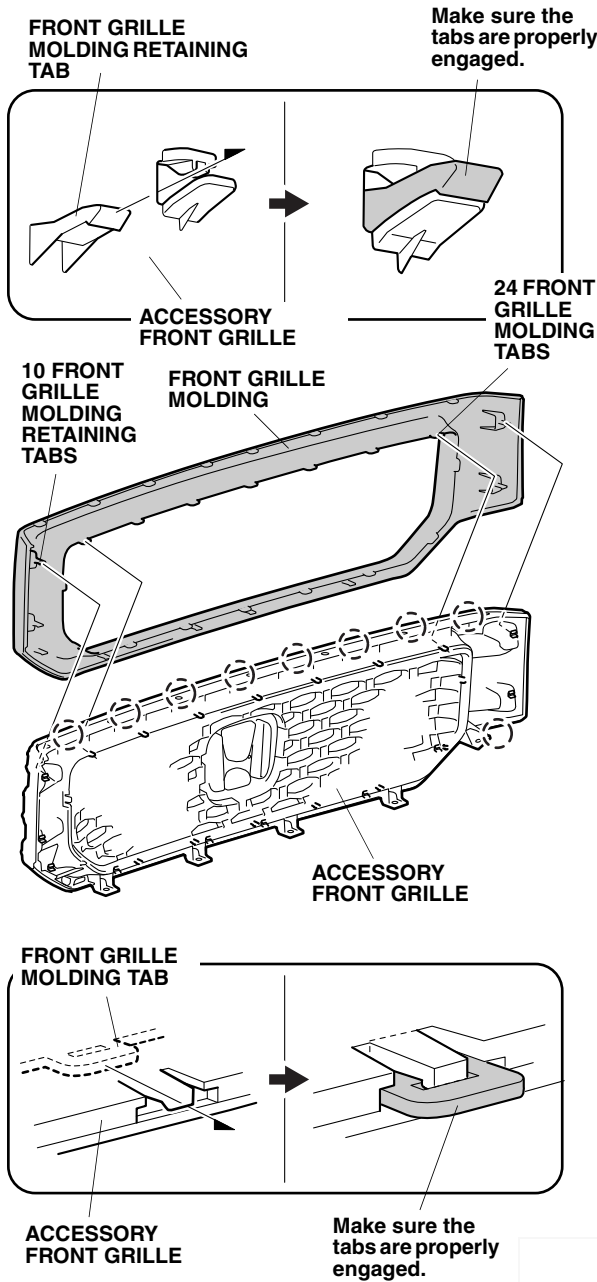
7. Cut off 16 areas of the vehicle front grille as shown. Do not damage the front grille molding tabs when cutting the vehicle front grille.



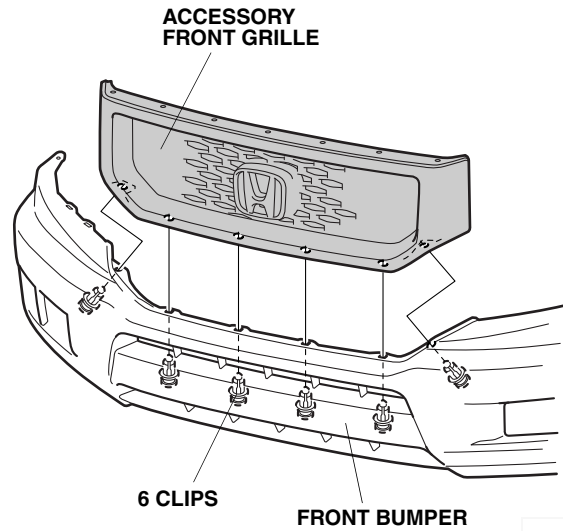
8. Using a plastic trim tool, pry off the front grille molding from the vehicle front grille.



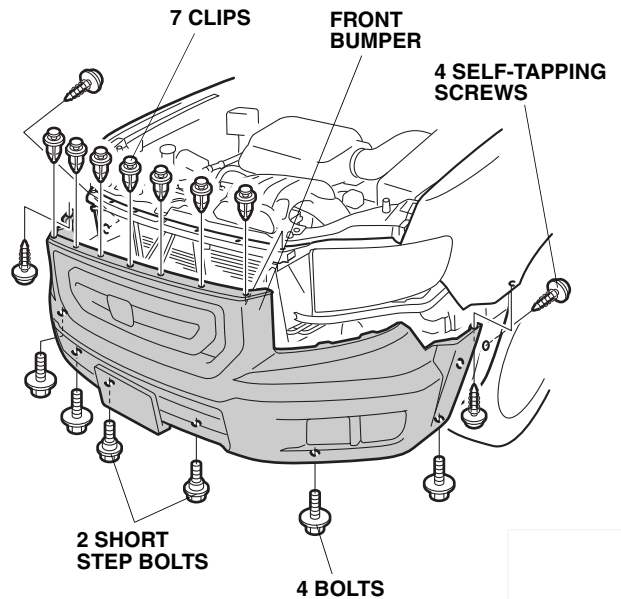
- Align and install the front grille molding to the accessory front grille with 10 front grille molding retaining tabs and 24 front grille molding tabs. Make sure the tabs on the front grille molding are properly engaged.



- Install the accessory front grille to the front bumper with six clips.



- Reinstall the front bumper to the vehicle with seven clips, four bolts, two short step bolts and four self-tapping screws. If the vehicle is equipped with fog lights, plug in the fog light connectors. Have an assistant help you when installing the front bumper.



- Reinstall all removed parts.