



INSTALLATION INSTRUCTIONS

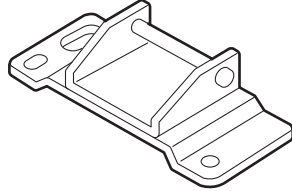
Accessory
**BICYCLE ATTACHMENT
(INTERIOR)**
P/N 08L07-SZA-100

Application
2009 PILOT

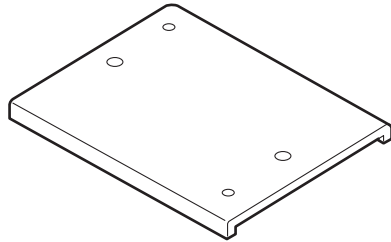
Publications No.
All 39152
Issue Date
MAY 2008

PART LIST

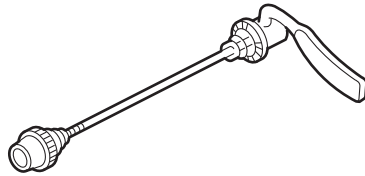
Holder



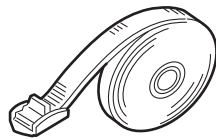
Bracket



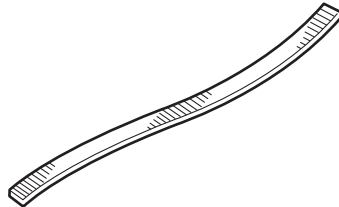
Quick shaft



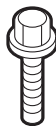
Belt



2 Fasteners



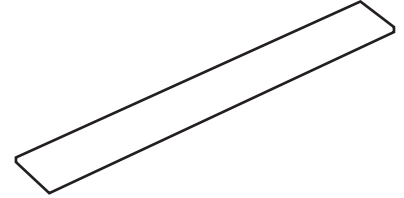
2 Long washer-bolts (Not used)



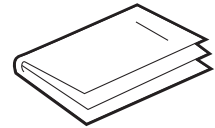
2 Short washer-bolts



2 Seals (Not used)



Accessory User's Information Manual



TOOLS AND SUPPLIES REQUIRED

12 mm Combination Wrench

Drill

3 mm and 10 mm Drill bits

Eye protection (face shield, safety goggles, etc.)

Torque wrench

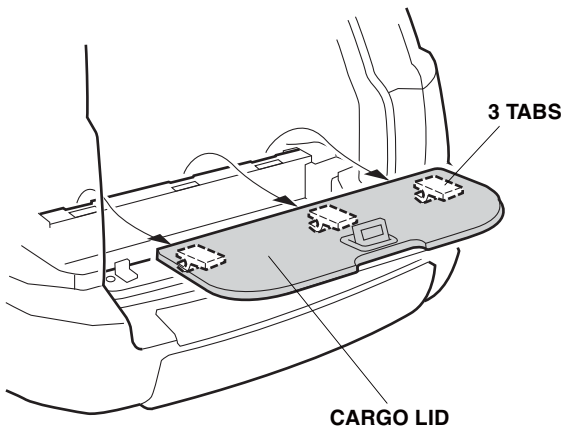
INSTALLATION

Customer Information: The information in this installation instruction is intended for use only by skilled technicians who have the proper tools, equipment, and training to correctly and safely add equipment to your vehicle. These procedures should not be attempted by “do-it-yourselfers.”

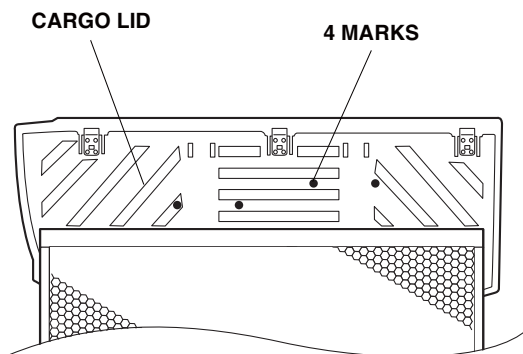
NOTE: The interior bicycle attachment can not be installed on vehicles equipped with cargo liner or cargo tray.

Installing the Bicycle Attachment

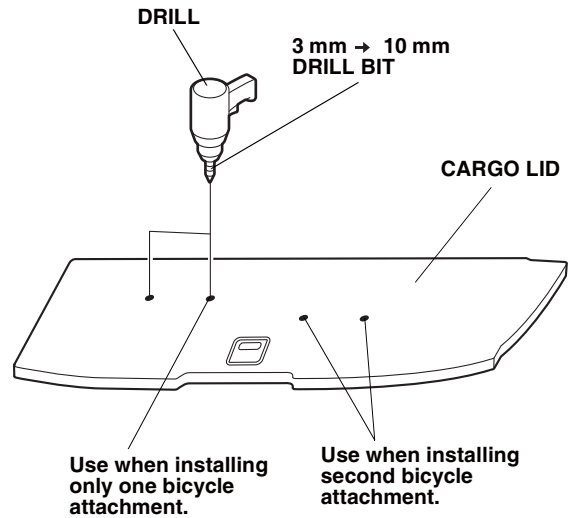
1. Open the tailgate and remove the cargo lid (three tabs).



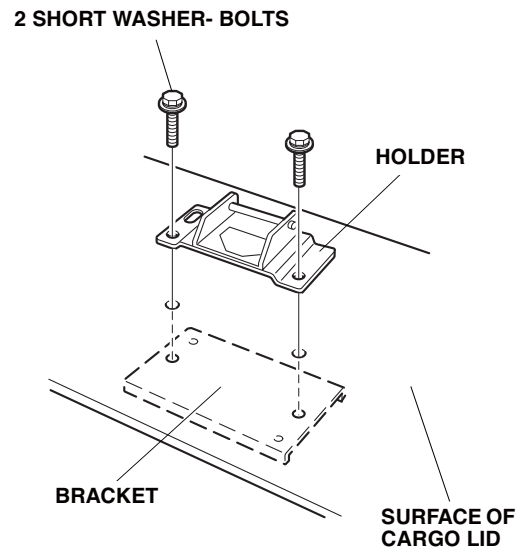
2. Turn the cargo lid over, and locate the four marks on the surface of the cargo lid.



3. Locate the marks on cargo lid. While wearing eye protection, first drill with a 3 mm drill bit from the bottom, then finish with a 10 mm drill bit from the top, and remove all burrs.



4. Position the holder and bracket on the surface of cargo lid, and install the two short washer-bolts. Torque the short washer-bolts to 7 N·m (5.1 lbf·ft). If installing a second bicycle attachment, repeat step 3 and 4.



5. To install the bicycle to the attachment, refer to the Accessory User's Information supplied.