



INSTALLATION INSTRUCTIONS

Accessory

**AIR DEFLECTOR
P/N 08P47-SHJ-100A**

Application

2009 ODYSSEY

Publications No.

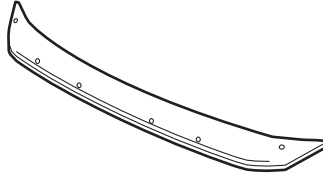
All 40222

Issue Date

AUG 2008

PARTS LIST

Hood air deflector



4 Front brackets A



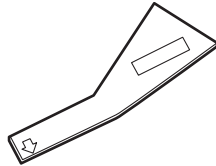
Right bracket B



Left bracket B



Template



4 Screws



4 Grommet nuts



4 Truss screws



4 Collars



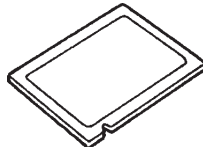
4 Protection films



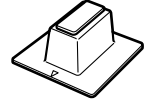
2 Clips



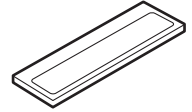
3 Alcohol swabs



Center stopper



Advice label



TOOLS AND SUPPLIES REQUIRED

Phillips screwdriver

Tape measure

Felt-tip pen

Shop towel

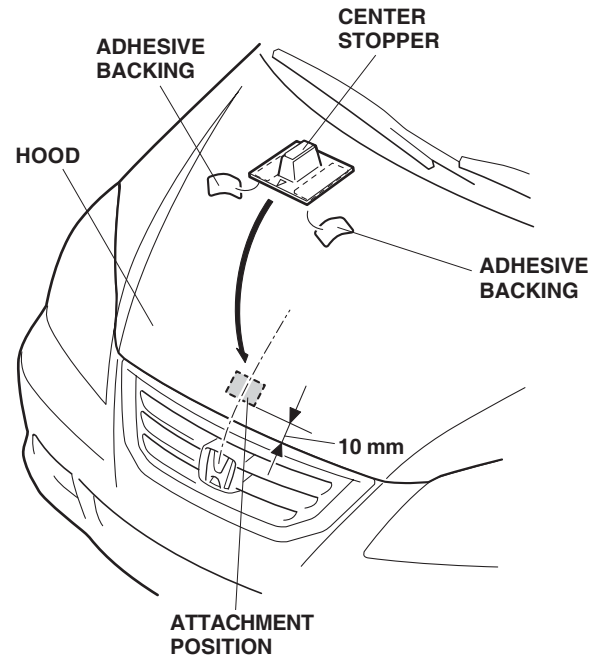
Tape

Isopropyl alcohol

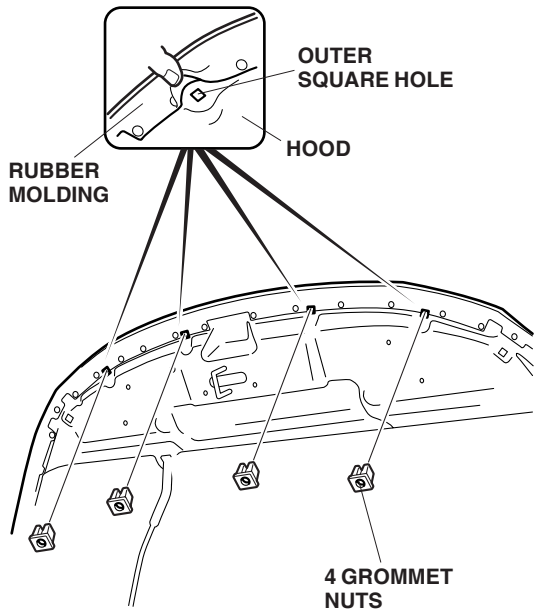
INSTALLATION

NOTE: Be careful not to damage the body finish when you install the hood air deflector.

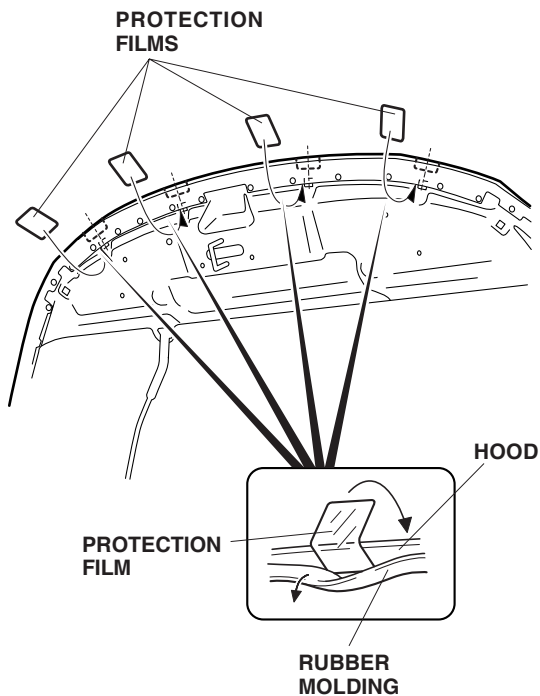
- Using an alcohol swab, clean the area where the center stopper will attach. Remove the adhesive backings from the center stopper, and attach the center stopper to the hood in the location shown below.



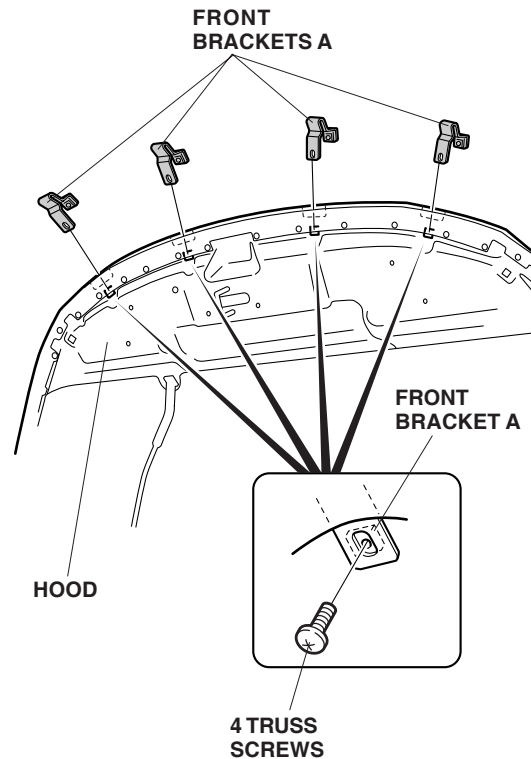
- Open the hood. Fold back the rubber molding from the inside edge of the hood to locate the four outer square holes on the inside of the hood. Push a grommet nut into each of the four outer square holes in the hood.



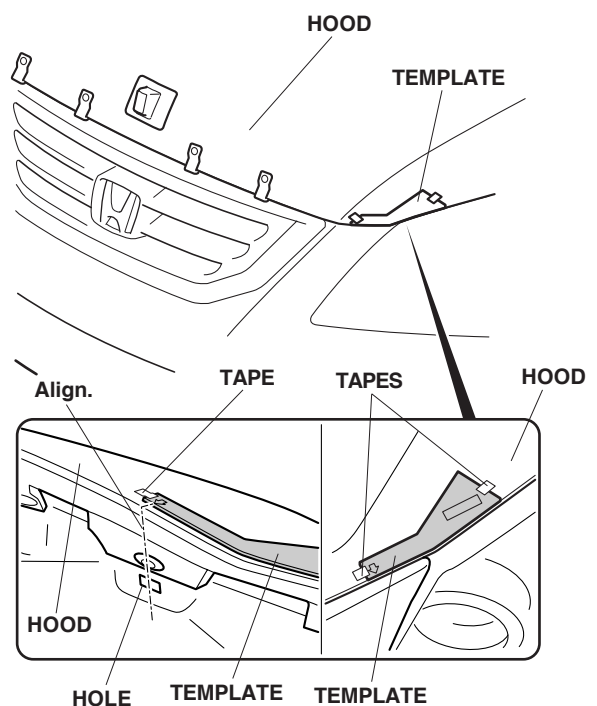
- Using an alcohol swab, clean the areas of the hood where four front brackets A will mount. Remove the adhesive backing from the protection film, and attach them to each hood area where four front brackets A will mount.



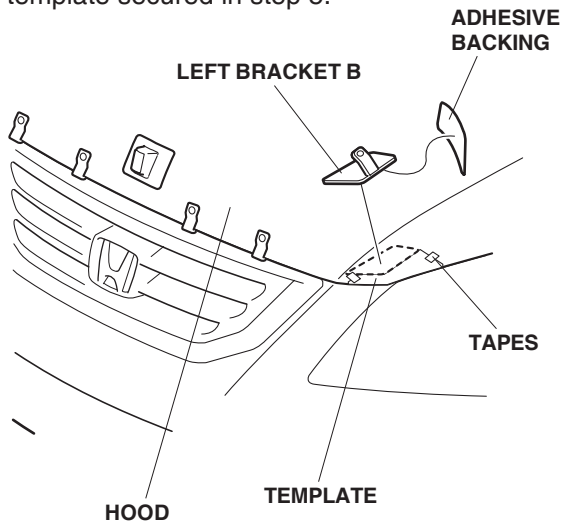
- Slide the four front brackets A over the lip of the hood, and align with the holes in the grommet nuts. Loosely install a truss screw through each front bracket A.



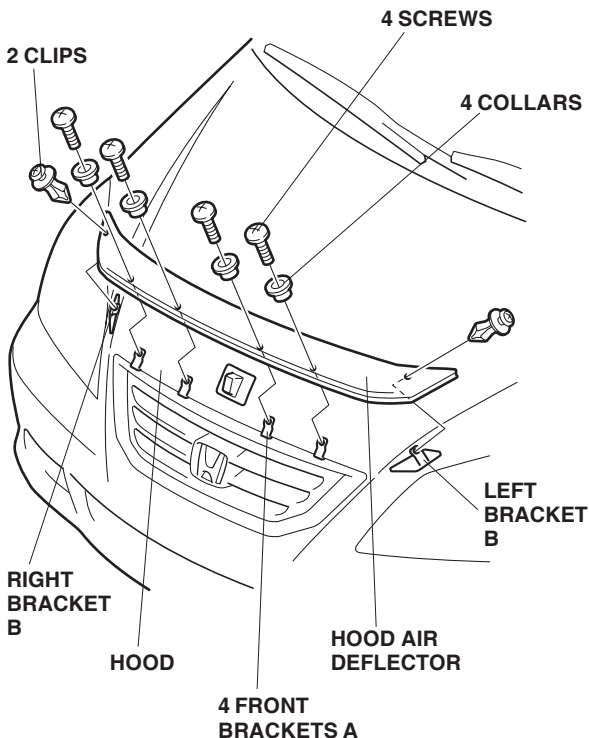
- Close the hood. Align the template to the hole on the hood as shown. Secure the template to the hood with tape.



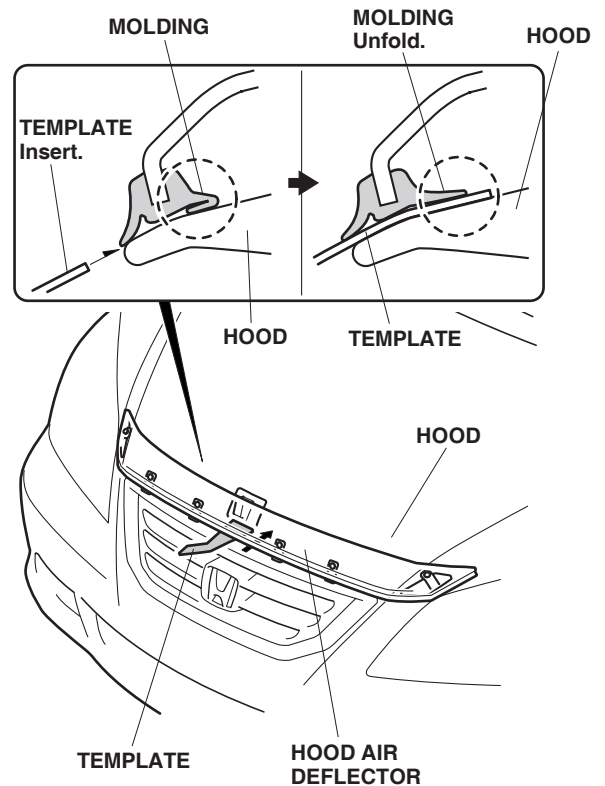
- Using an alcohol swab, clean the area where the left bracket B will mount. Remove the adhesive backing from the left bracket B, and align it to the template secured in step 5.



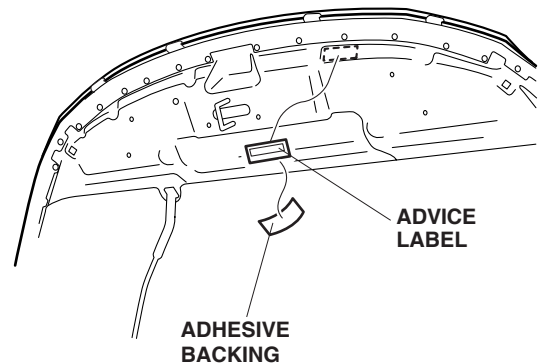
- Remove the template.
- Repeat steps 5 thru 7 on the other side of the hood.
- Position the hood air deflector on the hood. Align the holes on the hood air deflector with the holes on the four front brackets A, left bracket B, and right bracket B. Install the hood air deflector with two clips, four screws, and four collars. Tighten the screws securely.



- Insert the large end of the template between the hood and the hood air deflector molding, as shown, to unfold the molding.



- Open the hood. Tighten the four truss screws previously installed in step 4.



- Using isopropyl alcohol, thoroughly clean the area where the advice label will attach.
- Remove the adhesive backing from the advice label and attach it to the hood in the area shown.