



# INSTALLATION INSTRUCTIONS

Accessory  
**ACCESSORY HANDSFREELINK**

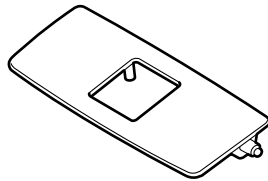
Application  
**2009 ODYSSEY**

Publications No.  
**All 40271**

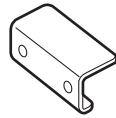
Issue Date  
**AUG 2008**

## PARTS LIST

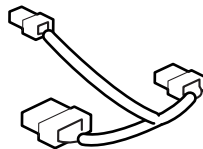
HFL Attachment Kit  
P/N 08E02-SHJ-100B  
HFL trim



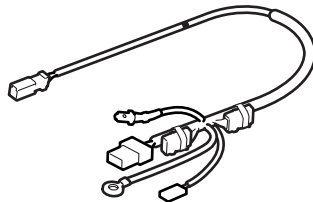
HFL bracket



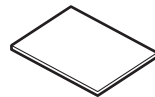
HFL harness



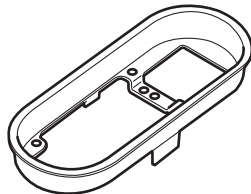
HFL subharness



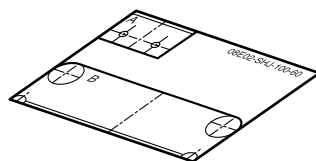
2 Double-faced tapes



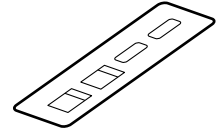
HFL retainer



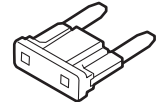
Template



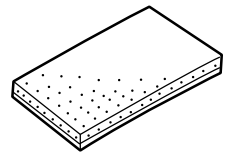
Fuse label



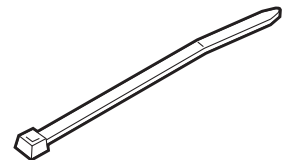
Fuse (2 A)



6 EPT sealers



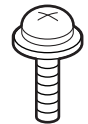
8 Wire ties



4 Self-tapping screw, 3 x 10 mm



2 Washer screws, 4 x 12 mm



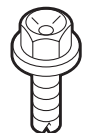
Self-tapping screw



Bushing



Ground bolt

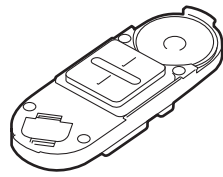


Rubber bumper

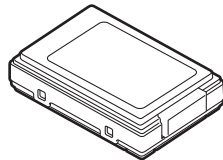


**Bluetooth HFL Kit  
P/N 08E00-E10-100**

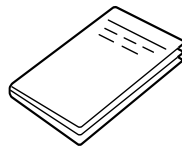
Switch



Control unit



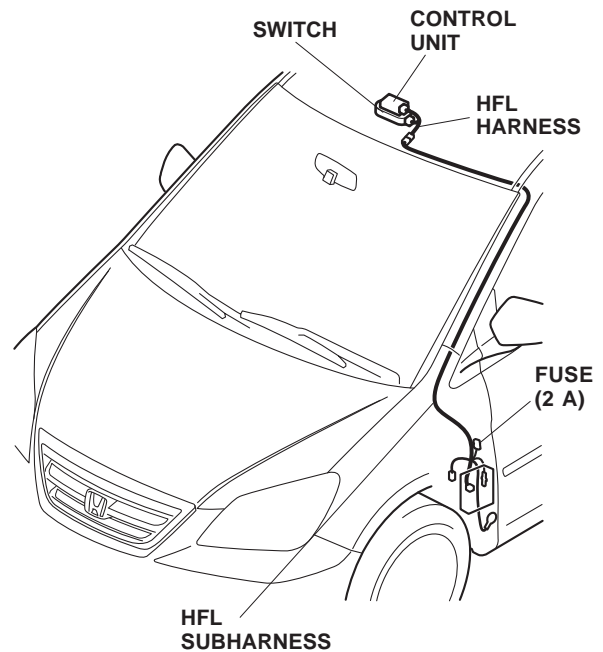
Accessory User's Information Manual



**TOOL AND SUPPLIES REQUIRED**

- #2 Phillips screwdriver
- 10 mm Combination wrench
- 10 mm and 14 mm Socket
- Pushpin
- Ratchet
- 3 mm, 4.5 mm, 6 mm, 9 mm, and 10 mm Drill bit
- Eye protection (face shield, safety goggles, etc.)
- File
- Diagonal cutters
- Scissors
- Masking tape
- Tape measure
- Cardboard
- Isopropyl alcohol
- Shop towel
- 19 mm Holesaw
- Drill
- Utility knife
- T15 Torx bit
- Felt-tip pen
- Plastic trim tool (SILTRIMTL10)

**Illustration of the HFL Installed on the Vehicle**

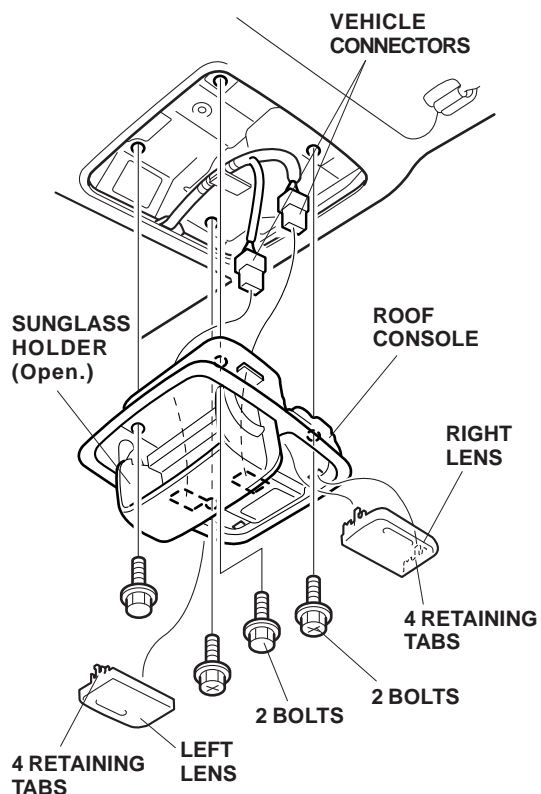


**INSTALLATION**

**Customer Information:** The information in this installation instruction is intended for use only by skilled technicians who have the proper tools, equipment, and training to correctly and safely add equipment to your vehicle. These procedures should not be attempted by "do-it-yourselfers."

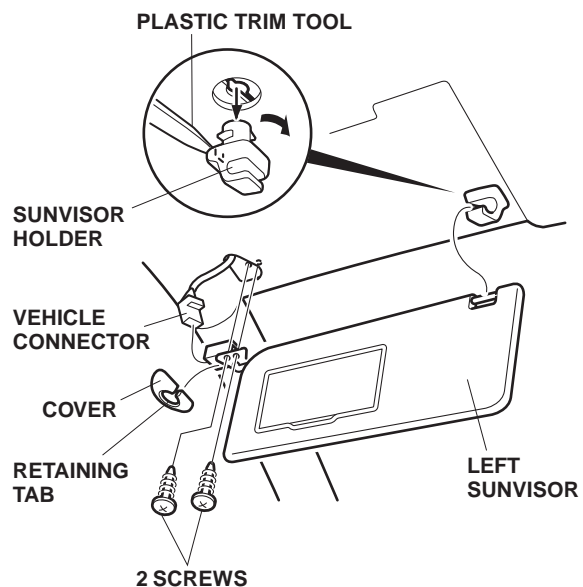
1. Make sure you have the anti-theft code for the audio unit, then write down the frequencies for the preset buttons.
2. Disconnect the negative cable from the battery.

- Disengage eight retaining tabs and remove the left and right lens from the roof console.

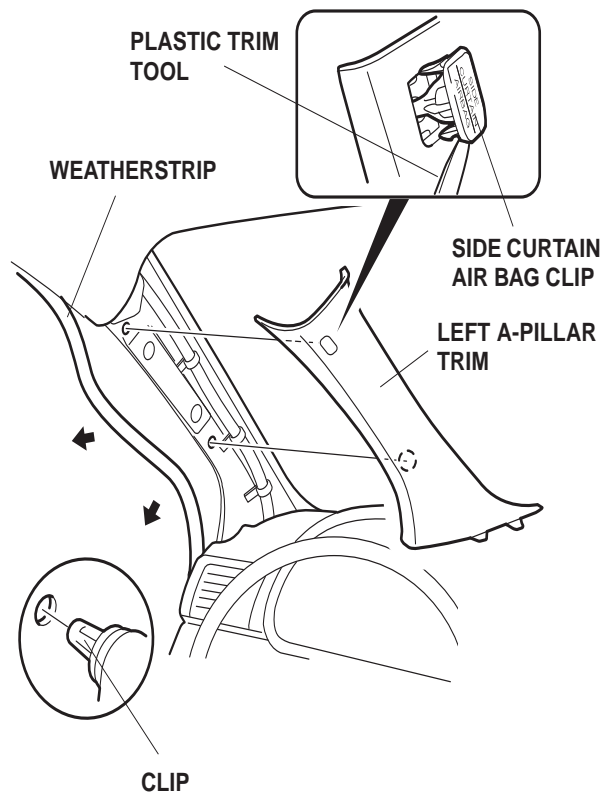


- Open the sunvisor holder.
- Remove four bolts and lower the roof console.
- Disconnect the two vehicle connectors and remove the roof console.

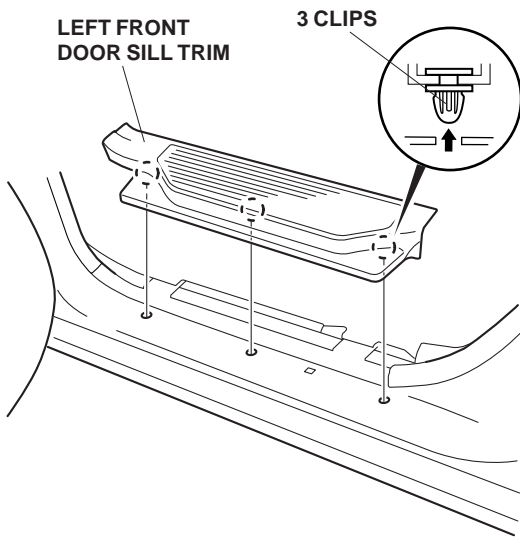
- Using a flat-tip screwdriver, push the hook and turn the holder. Remove the holder.



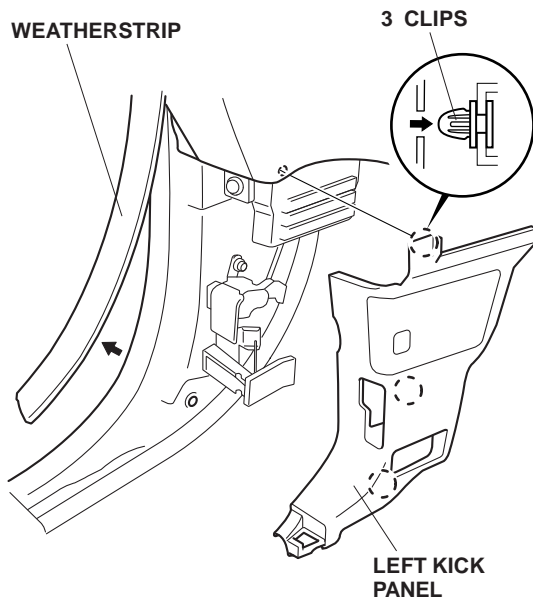
- Disengage two screws and remove the left sunvisor.
- Pull away the weatherstrip from the left A-pillar trim. Release the side curtain air bag clip by using the plastic trim tool and remove the left A-pillar (two clips).



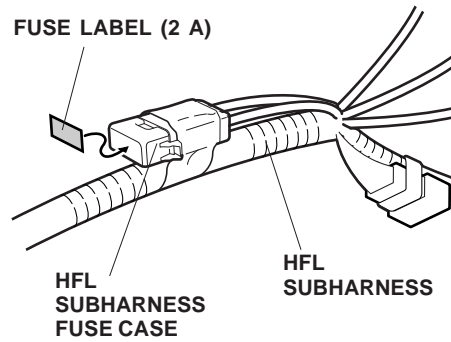
10. Remove the left front door sill trim (three clips).



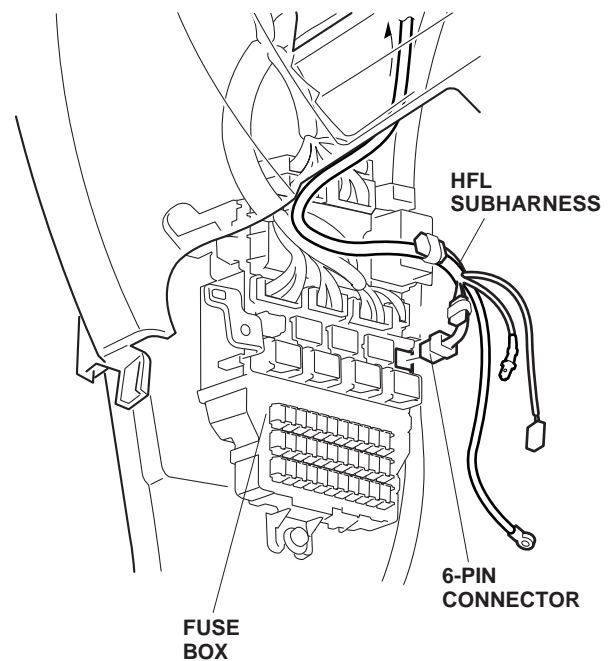
11. Pull away the weatherstrip from the left kick panel. Remove the left kick panel (three clips).



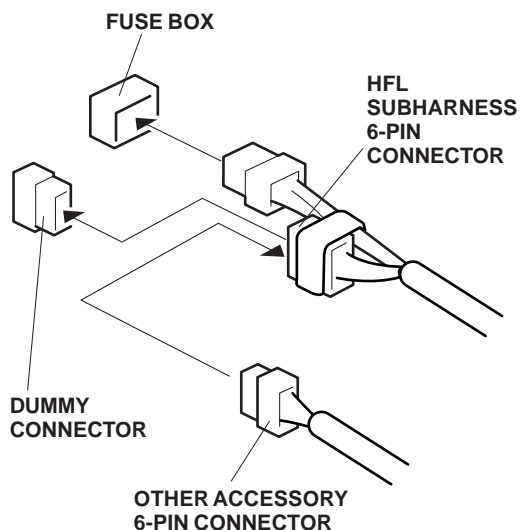
12. Attach the fuse label (2 A) to the fuse case of the HFL subharness.



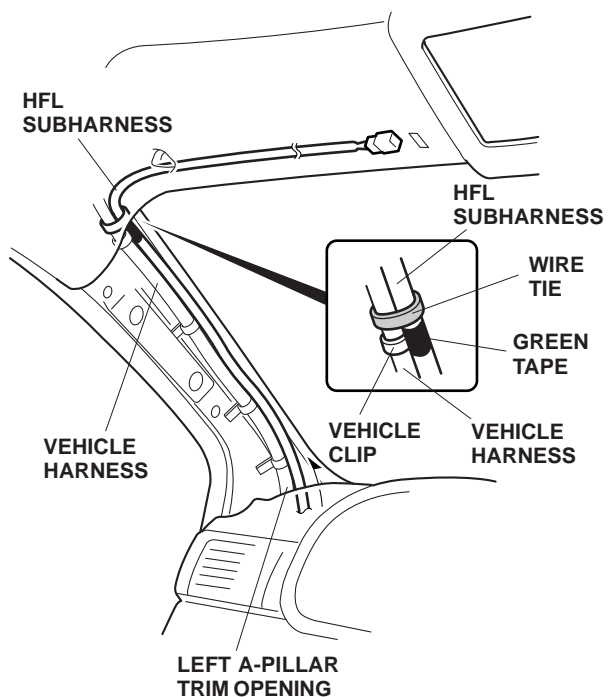
13. Plug the HFL subharness 6-pin connector into the 6-pin opening in the fuse box.



NOTE: If another accessory is already plugged into the 6-pin connector, remove the dummy connector from the 6-pin connector taped to the HFL subharness. Plug the 6-pin connector from the other accessory harness into the 6-pin connector from the HFL subharness you just unplugged and plug the HFL subharness into the fuse box.

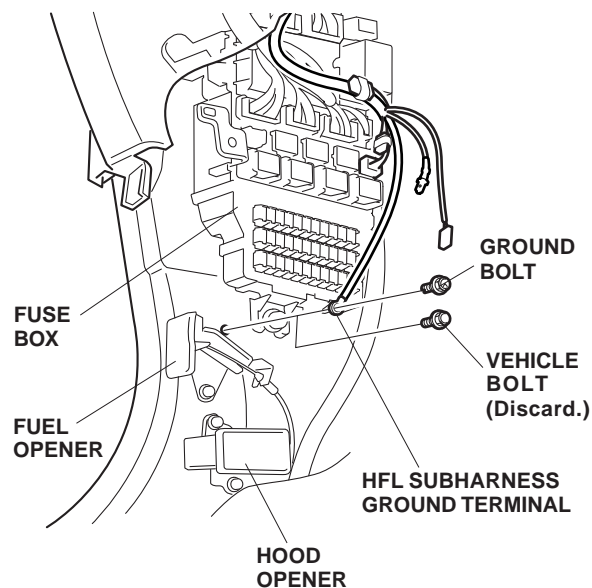


14. Route the HFL subharness to the left A-pillar trim opening.

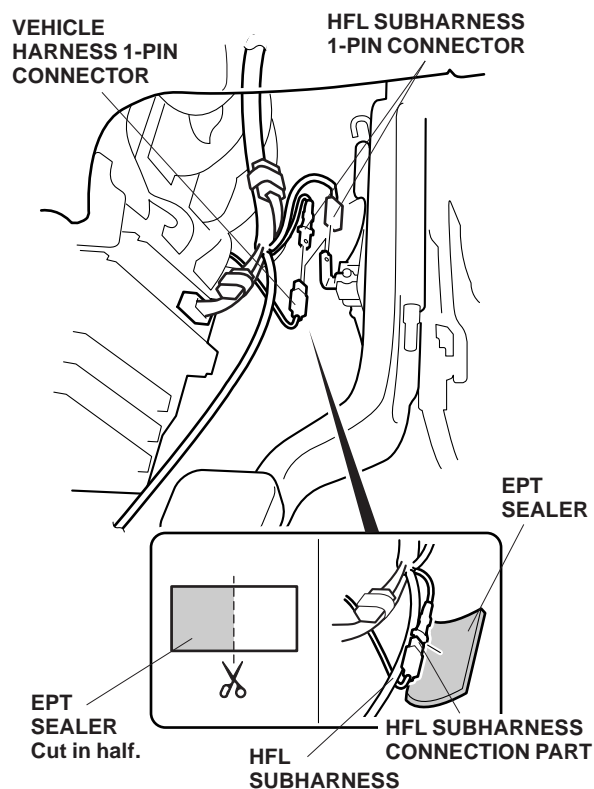


15. Route the HFL subharness and secure the harness to the vehicle harness with a wire tie above the vehicle clip as shown.

16. Remove the vehicle bolt (discard) and install the ground bolt with HFL subharness ground terminal as shown.



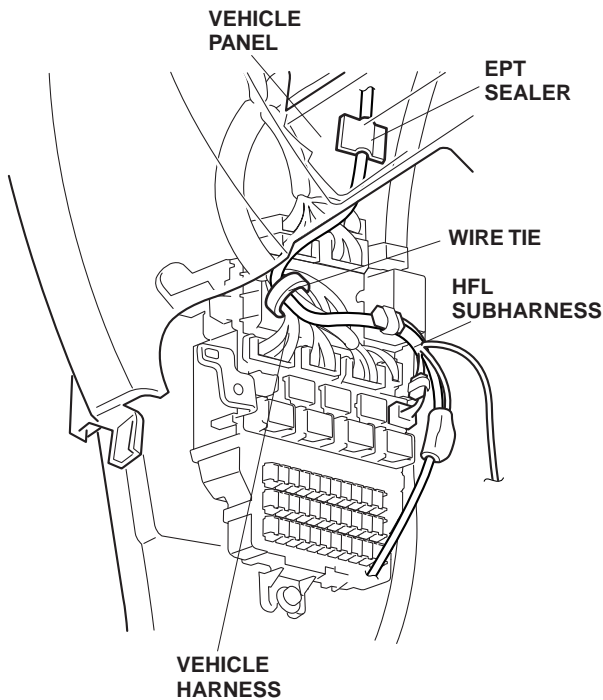
17. Disconnect the vehicle harness 1-pin connector and connect it to the HFL subharness 1-pin connector.



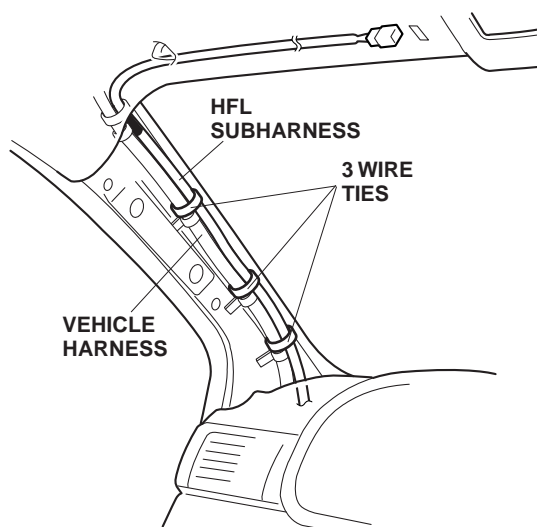
18. Connect the HFL subharness 1-pin connector to the vehicle 1-pin connector.

19. Wrap the cut one half of the EPT sealer on the HFL subharness connection part.

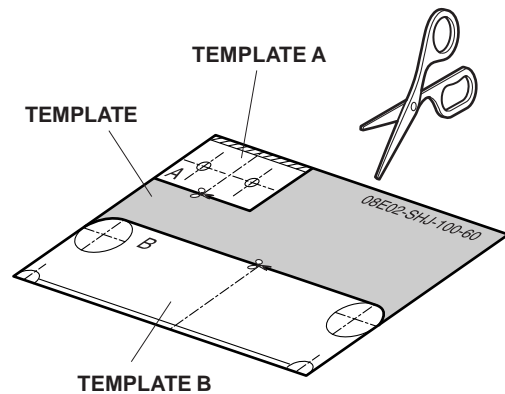
- Secure the HFL subharness to the vehicle harness with a wire tie.



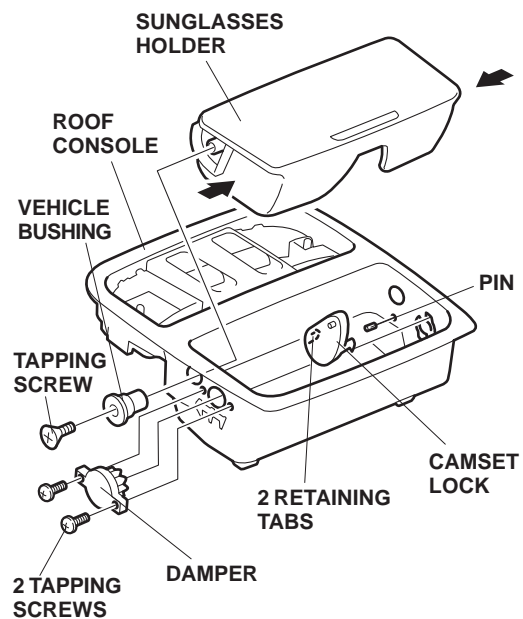
- Using isopropyl alcohol on a shop towel, clean the area where the EPT sealer will attach. Attach a EPT sealer to secure the HFL subharness to the vehicle panel.
- Secure the HFL subharness to the vehicle harness with three wire tie.



- Cut the template into template A and template B.

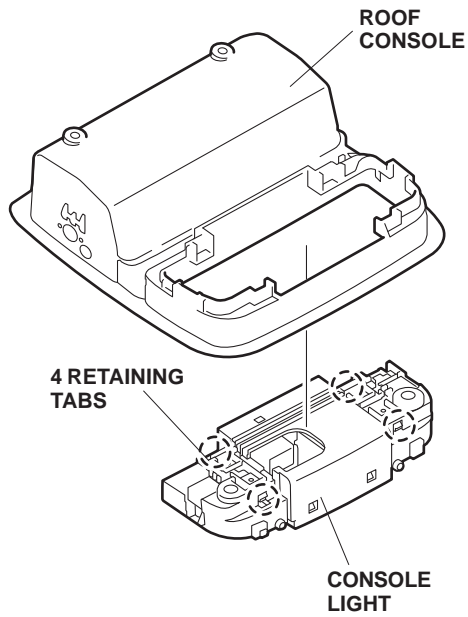


- Remove the damper (two tapping screws).

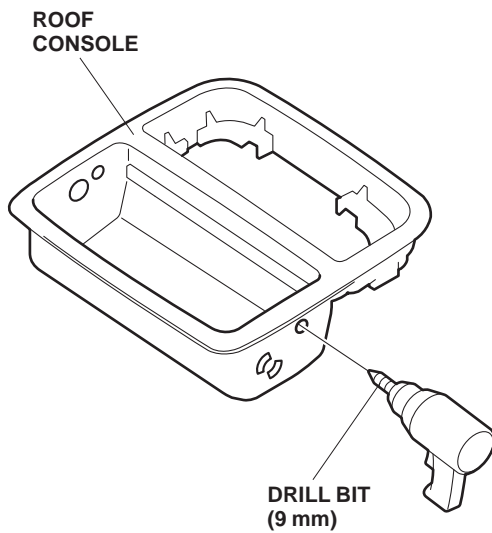


- Remove the sunglasses holder (tapping screw and vehicle bushing).
- Remove the pin and remove the camset lock (two retaining tabs).

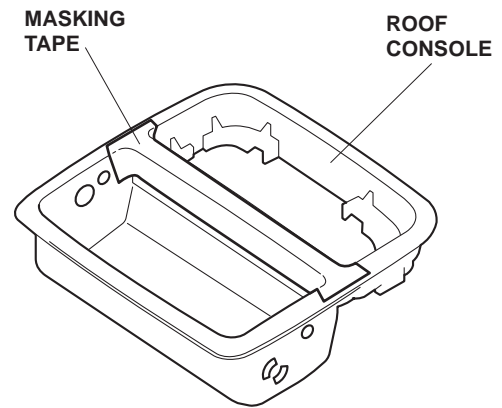
27. Remove the console light from the roof console (four retaining tabs).



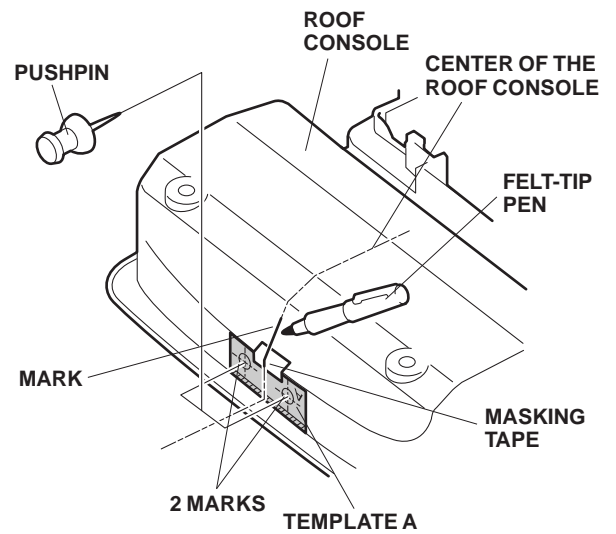
28. Enlarge the hole on the roof console with a 9 mm drill bit.



29. Attach masking tape to the roof console as shown.

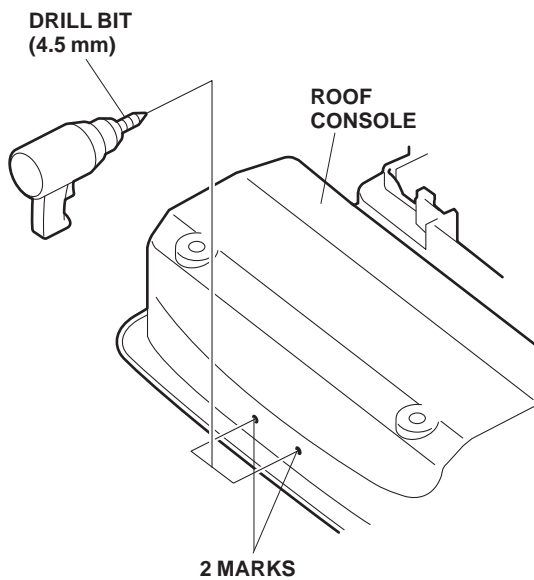


30. Attach template A with masking tape to the roof console at the indicated position.

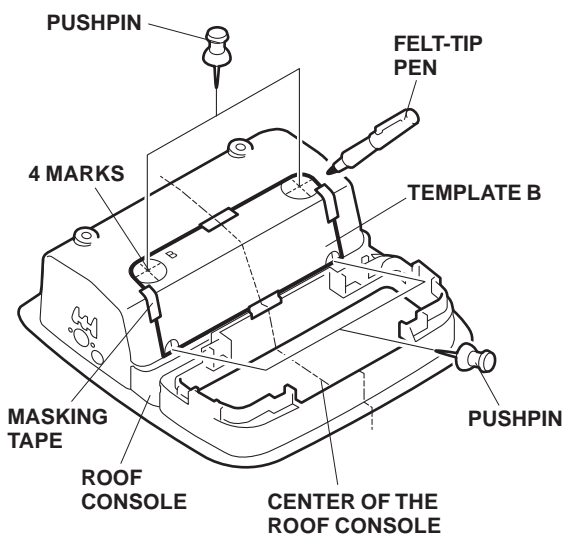


31. Using a felt-tip pen, mark the center of the roof console as shown.
32. Use a pushpin to mark the roof console at two locations according to template A.
33. Remove template A.

34. Drill 4.5 mm holes at the two locations marked on the roof console in step 32. After drilling, remove any burrs.

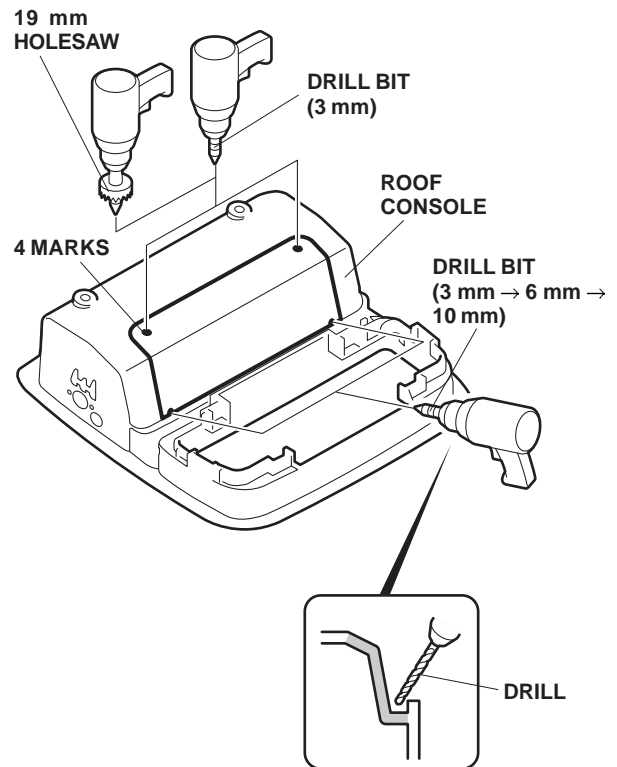


35. Attach template B with masking tape on the roof console at the indicated position.



36. Use a pushpin to mark the roof console at four locations according to template B.
37. Use a felt-tip pen and mark the roof console along template B.
38. Remove template B.

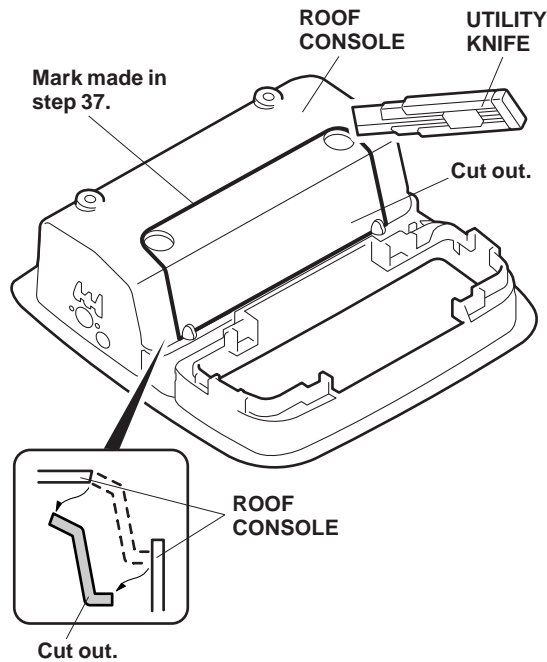
39. Drill a 3 mm hole at the four locations marked on the roof console in step 36.



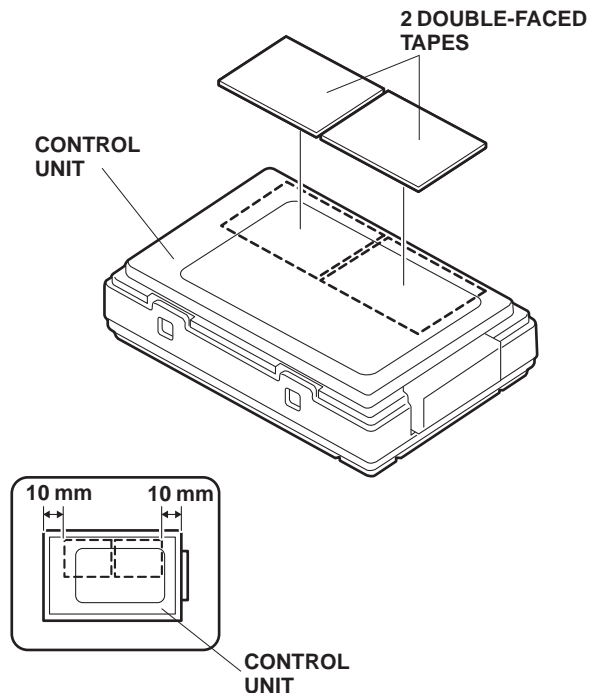
40. Enlarge the two 3 mm holes drilled in step 39 with a 6 mm drill bit and with a 10 mm drill bit as shown.
41. Enlarge the other two 3 mm holes drilled in step 39 with a 19 mm holesaw as shown.



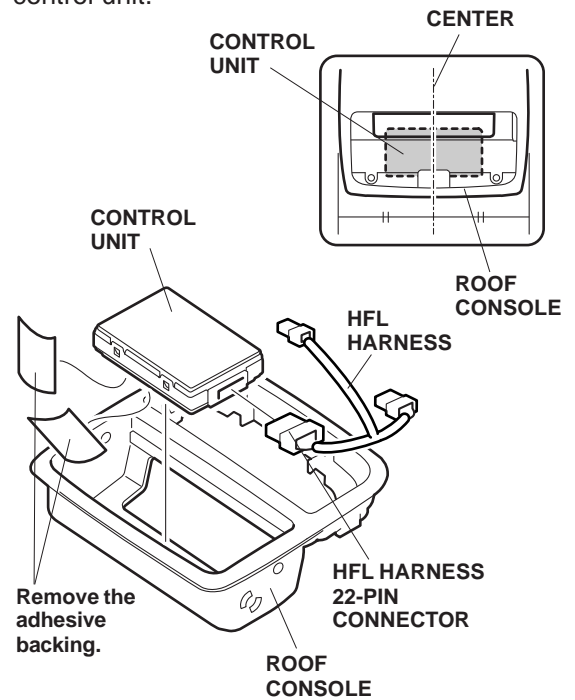
42. Using a utility knife, cut along the marking made on the roof console in step 37. After cutting, remove any burrs.



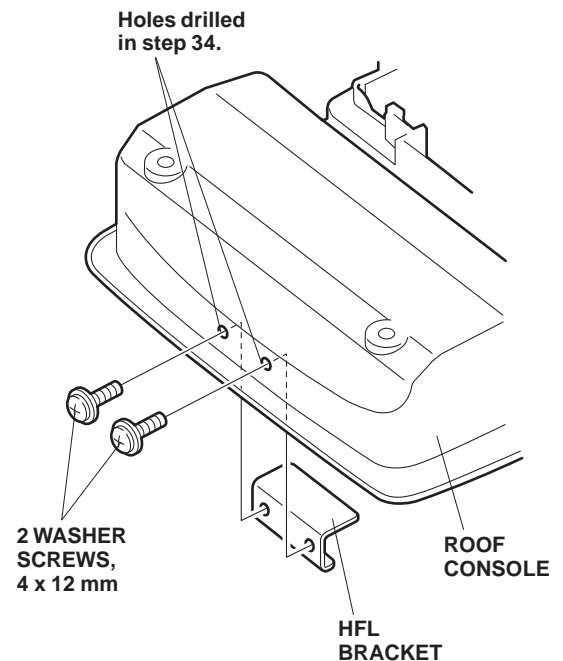
43. Remove the masking tape attached in step 29.
44. Using isopropyl alcohol on a shop towel, clean the areas where the double-faced tape will attach. Remove the adhesive backing from double-faced tape and attach the double-faced tape at the indicated position on the control unit.



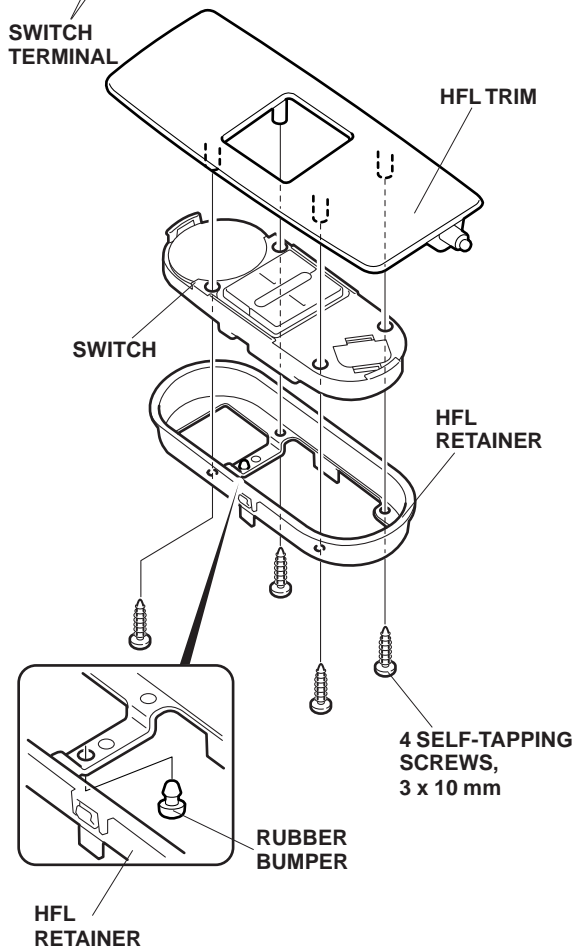
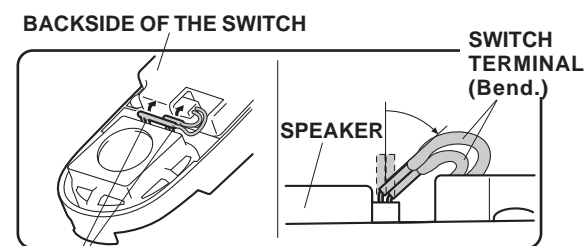
45. Connect the HFL harness 22-pin connector to the control unit.



46. Using isopropyl alcohol on a shop towel, clean the areas where the double-faced tape will attach. Remove the adhesive backing from the double-faced tape attached to the control unit and attach to the roof console at the indicated position.
47. Use the holes drilled in step 34 and secure the HFL bracket with two 4 x 12 mm washer screws to the roof console.



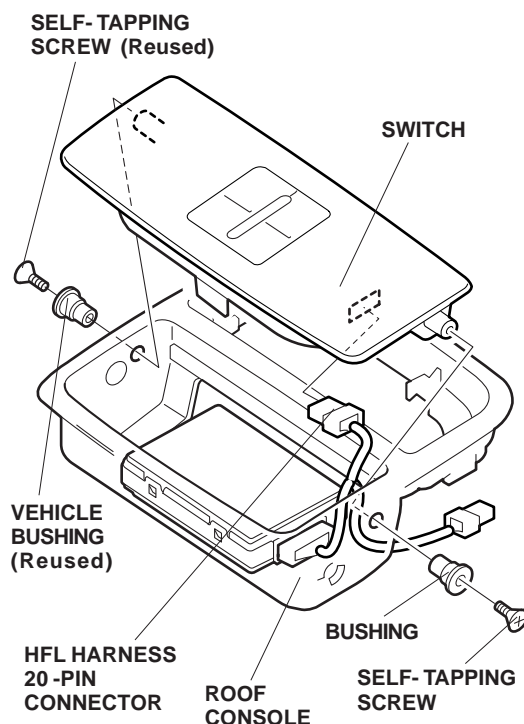
48. Bend the switch terminal as shown.



49. Insert the rubber bumper to the HFL retainer.

50. Assemble HFL retainer, switch, and HFL trim with four 3 x 10 mm self-tapping screws.

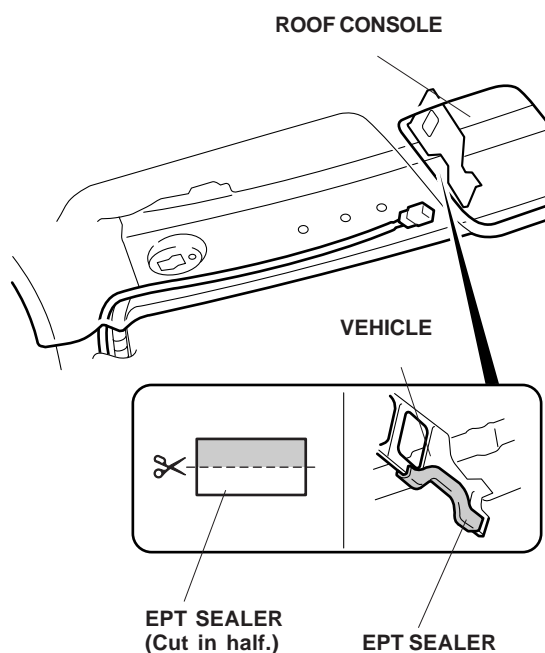
51. Connect the HFL harness 20-pin connector to the switch.



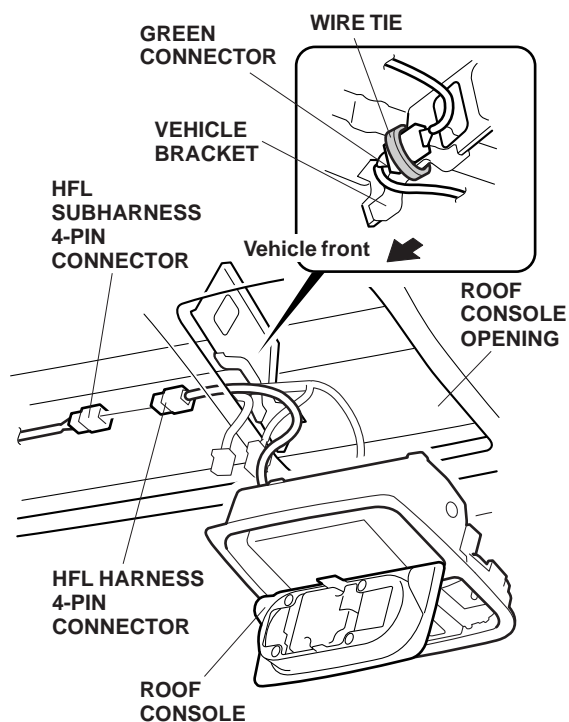
52. Install the switch assembled in step 50 to the roof console with self-tapping screw and bushing removed in step 25, and a self-tapping screw and bushing from the kit.

53. Reinstall the console light to the roof console.

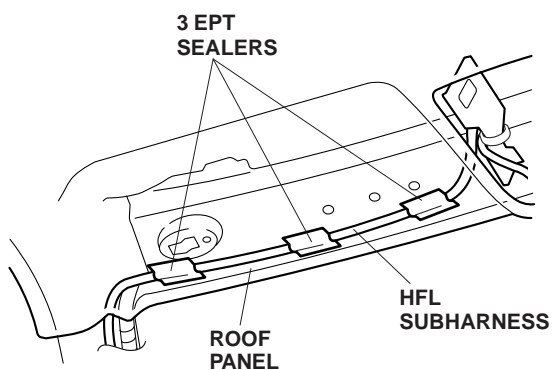
54. Using isopropyl alcohol on a shop towel, clean the area where the EPT sealer will attach. Cut an EPT sealer in half and attach one half to the vehicle bracket as shown.



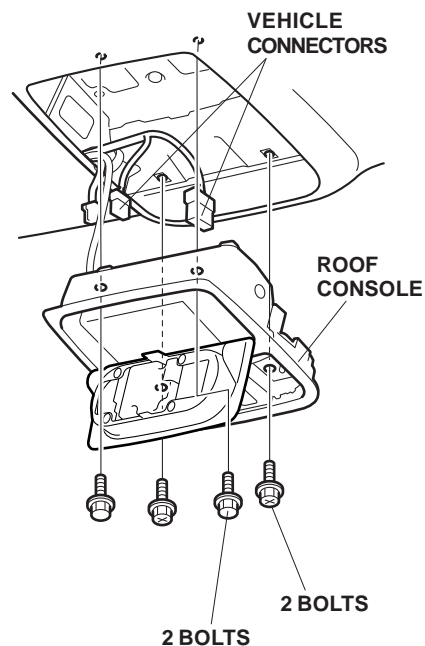
55. Hold the roof console close to the roof console opening and connect the HFL harness 4-pin connector to the HFL subharness 4-pin connector.



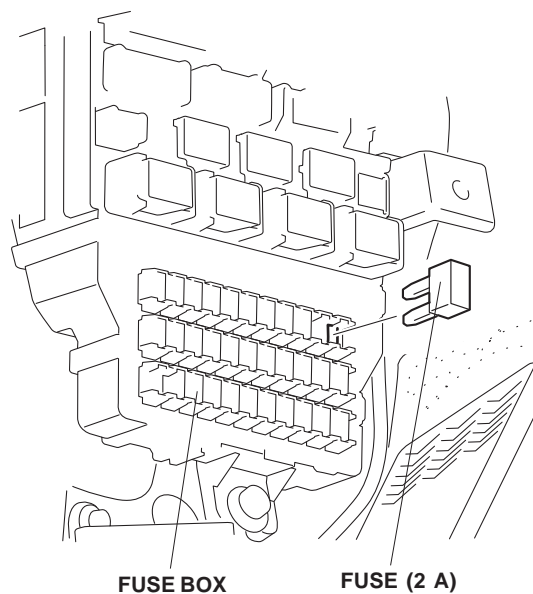
56. Secure the connector with a wire tie to the vehicle bracket.
57. Using isopropyl alcohol on a shop towel, clean the area where the EPT sealer will attach. Secure the HFL subharness to the vehicle roof panel inside the roof lining with three EPT sealers.



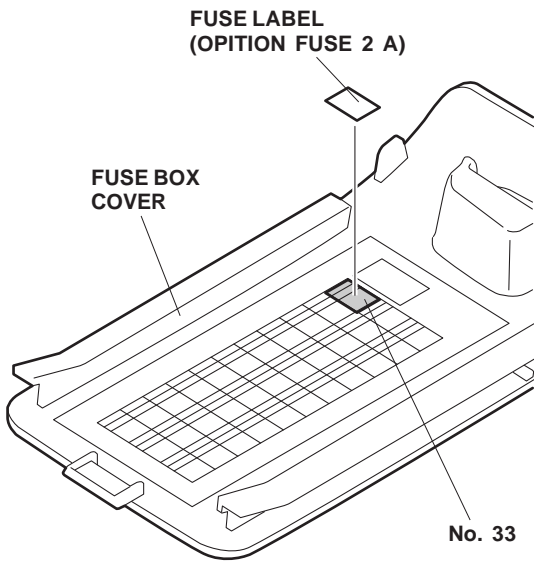
58. Connect the vehicle connectors to the roof console. Reinstall the roof console with the four bolts from step 5.



59. Install the fuse (2 A) into the fuse box at the indicated position.



60. Attach the fuse label to the No. 33 slot on the fuse box cover.



61. Check that all wire harnesses are routed properly and that all connectors are plugged in.
62. Reinstall all removed parts.
63. Reconnect the negative cable to the battery.
64. Enter the customer's audio unit anti-theft code, and reset the radio station presets.
65. Reset the clock.
64. Initialize and test the front window auto/down function.