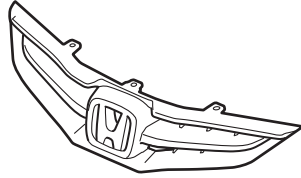
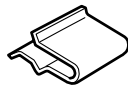


**PARTS LIST**

Front grille



4 Clips

**TOOLS AND SUPPLIES REQUIRED**

Stubby Phillips screwdriver

Flat-tip screwdriver

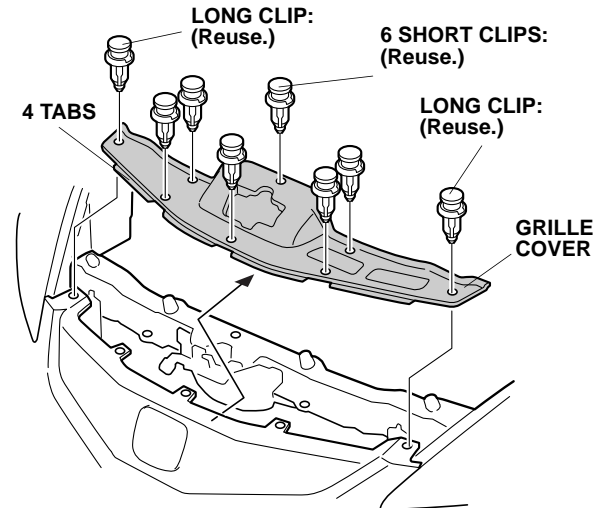
Utility knife

Clip remover

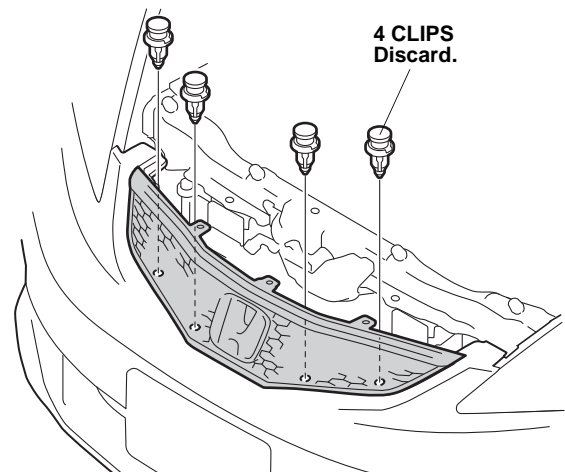
Torque wrench

**INSTALLATION**

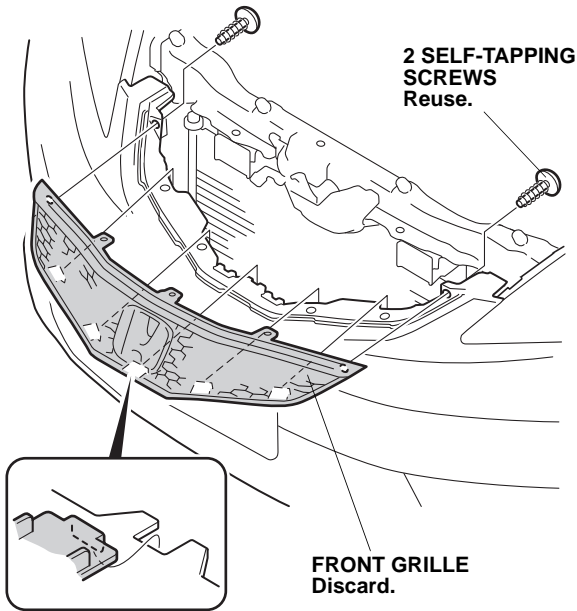
1. Remove the grille cover (eight clips and four tabs).



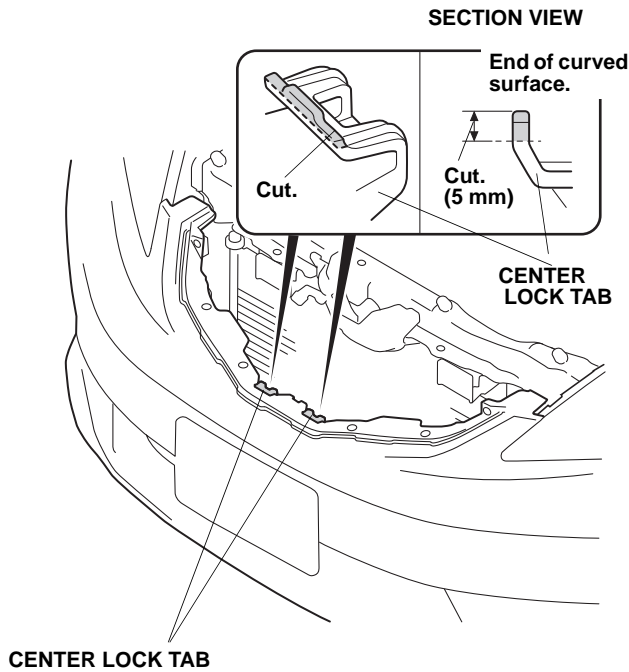
2. Remove and discard the four grille clips.



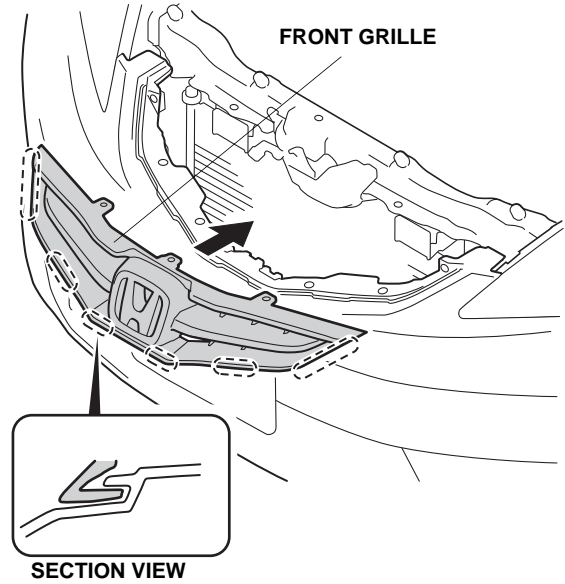
- Remove the front grille (two self-tapping screws). Set the grille aside; it will not be reused.



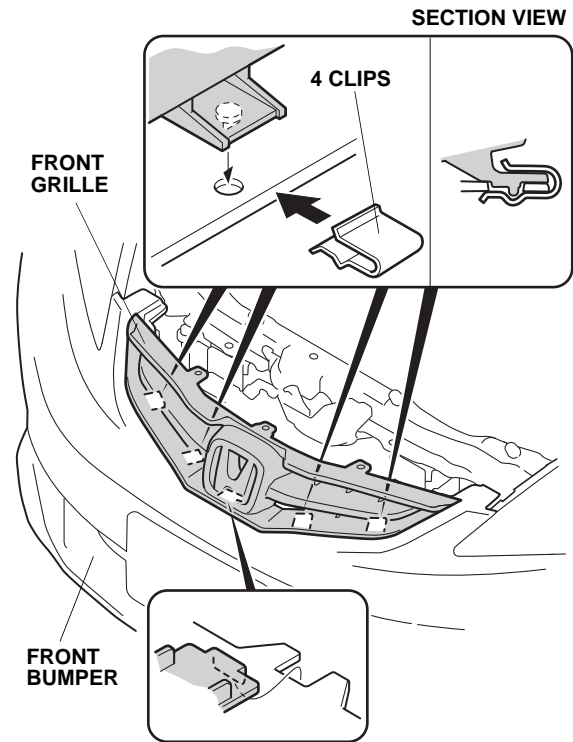
- Using a utility knife, cut 5 mm from the top of the two center lock tabs as shown. If you do not cut the center lock tabs, the bumper cannot be removed because the tabs cannot release.



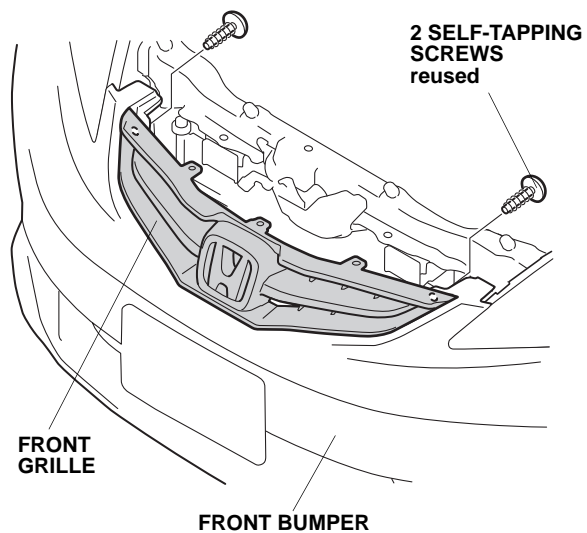
- Install the front grille to the front bumper.



- Install the four clips to the front bumper.



7. Secure the front grille to the front bumper with the two self-tapping screws (reused). Torque the screws to 2 N·m (0.4 lb-ft).



8. Reinstall the grille cover.