

Accessory	Application	Publications No.
DOOR VISORS P/N 08R04-TK6-100	2009 FIT	All 39861
		Issue Date
		AUG 2008

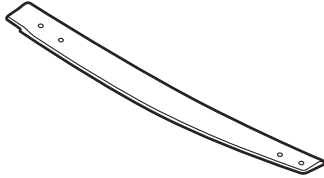
Accessory	Application	Publications No.
DOOR VISORS P/N 08R04-TK6-100	2009 FIT	All 39861
		Issue Date
		AUG 2008

Accessory	Application	Publications No.
DOOR VISORS P/N 08R04-TK6-100	2009 FIT	All 39861
		Issue Date
		AUG 2008

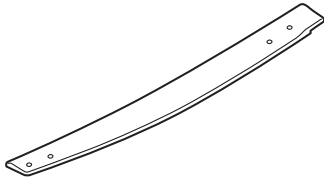
PARTS LIST

Door Visors cannot be installed on a vehicle equipped with B-pillar trim.

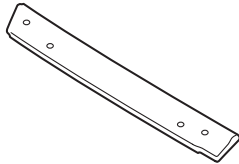
Left front door visor



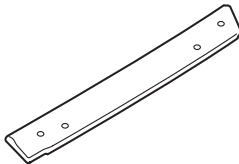
Right front door visor



Left rear door visor



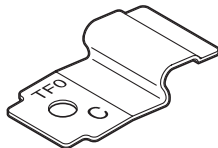
Right rear door visor



2 Brackets A



8 Brackets C



2 Brackets D



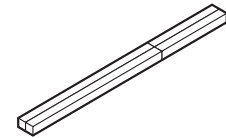
4 Brackets E



16 Clips



Sealer



TOOLS AND SUPPLIES REQUIRED

Isopropyl alcohol

Shop towel

Soft towel

Scale

Masking tape

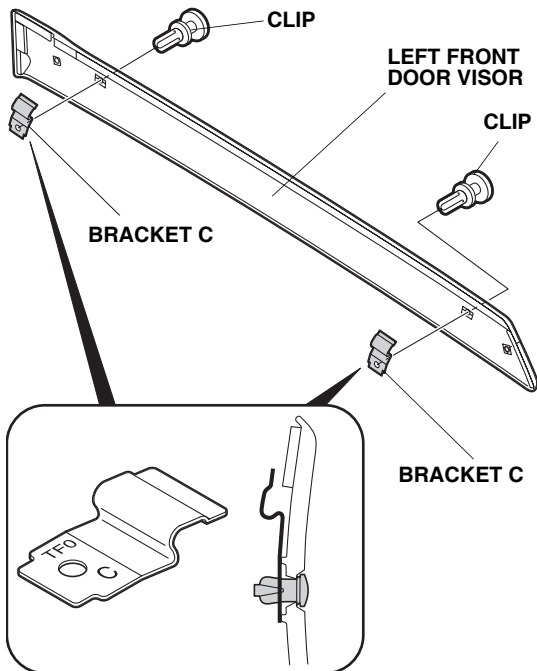
INSTALLATION

NOTE:

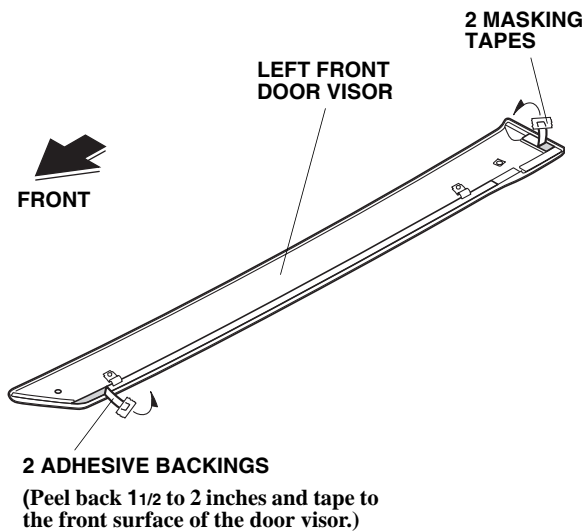
- Visors may not be legal in all states. Please check the laws of your state.
- These instructions show the left door visors being installed. The same procedure applies to installing of the right door visors.
- Do not damage the paint finish and glass run channels when installing the door visors.
- Handle the door visors with care. They are not designed to absorb shock or impact.
- This door visors kit should be installed only if the ambient air temperature is 15°C (60°F) or above.
- To allow the adhesive to cure, do not wash the vehicle for 24 hours.

Installing the Front Door Visor

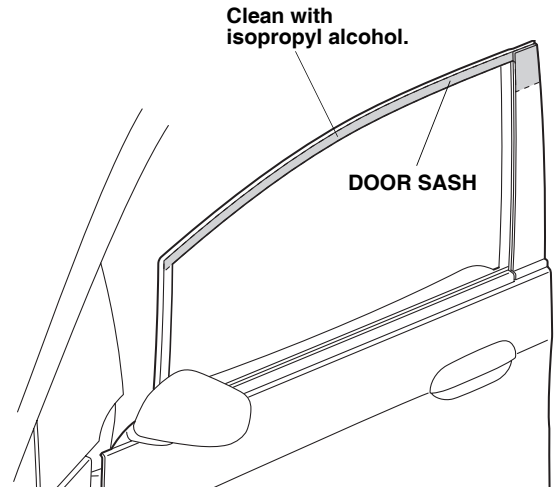
1. Fully open the driver's window.
2. Install two brackets C on the left front door visor using two clips. Check each bracket's shape and stamp mark, and install them in the correct positions.



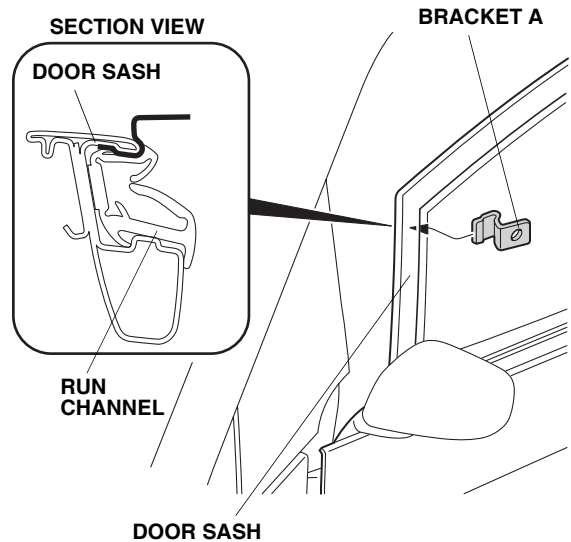
3. Peel back approximately 1-1½ to 2 inches of adhesive backing from each adhesive tape, and tape the ends to the front surface of the left front door visor.



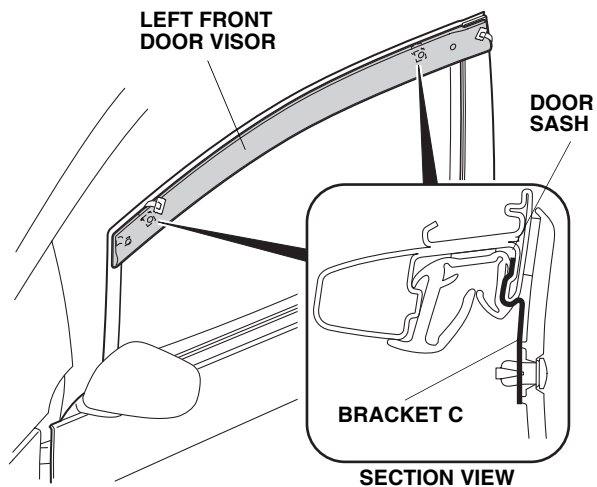
4. Using isopropyl alcohol, clean the door sash where the left front door visor will attach. Allow the alcohol to dry.



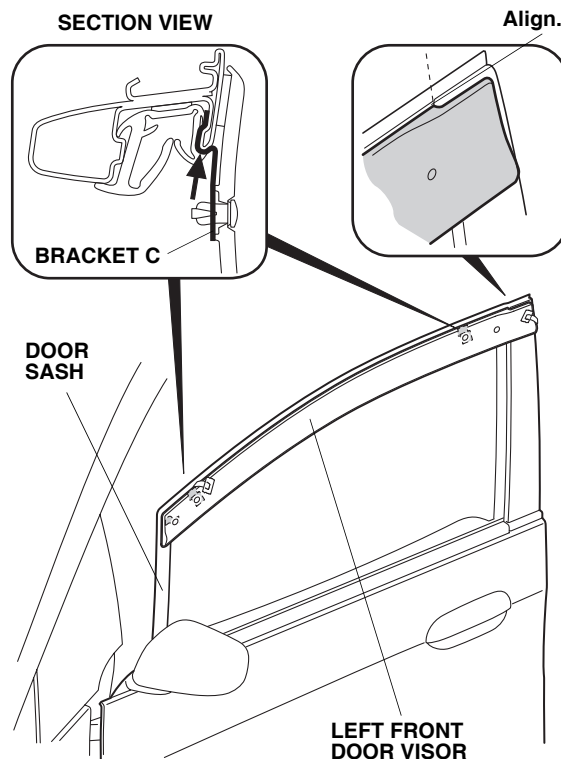
5. Install bracket A between the door sash and the run channel in the position shown.



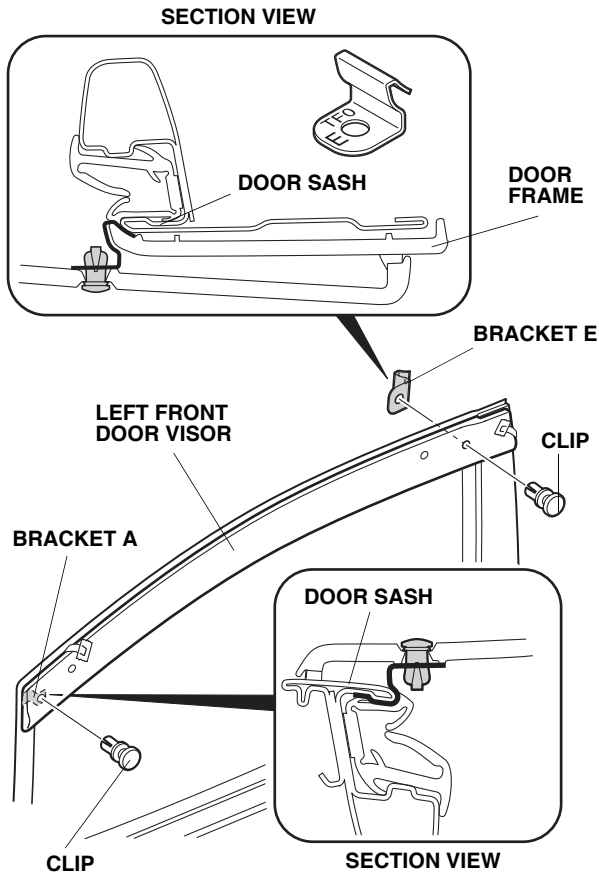
6. Temporarily install the left front door visor on the door sash using the two brackets C you installed on the left front door visor.



7. Push the left front door visor forward and up, and check that it aligns with the contour of the door sash. There should be no clearance between the brackets and the door sash.

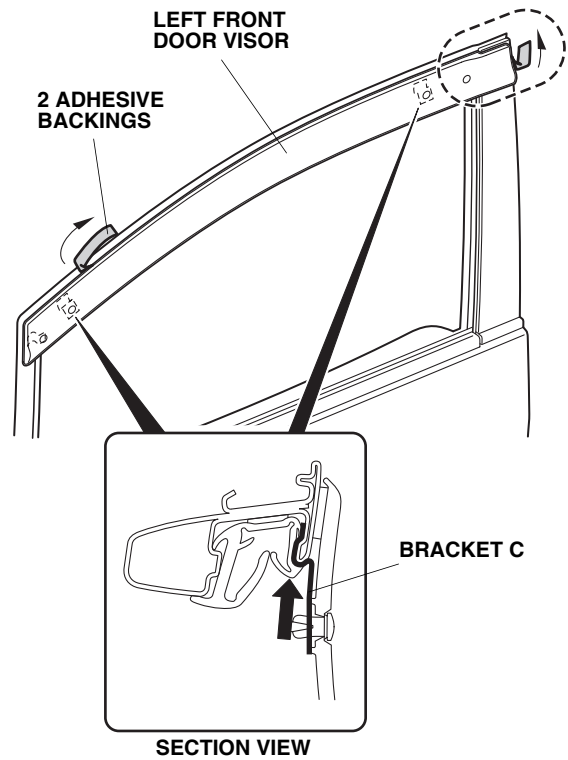


- Insert bracket E between the door frame and the door sash, and attach the door visor to bracket E using one clip. Verify the shape and the identification mark stamped on the bracket.



- Adjust bracket A up or down until the hole in the bracket lines up with the hole in the door visor, and install a clip.

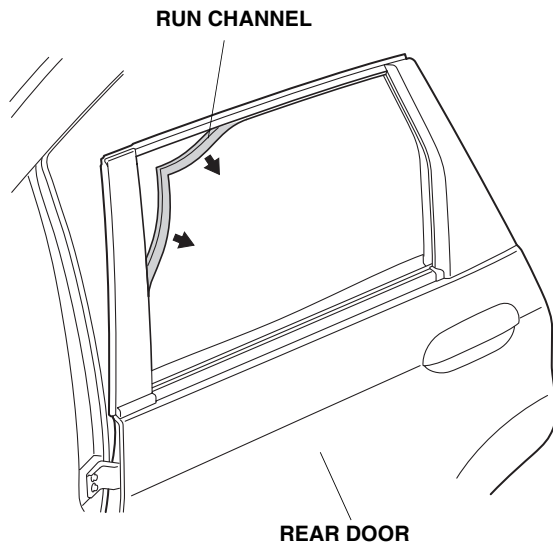
- While holding the door visor up firmly and back against the rear edge, remove the adhesive backings. Use your finger to push up each bracket C so there is no gap between the brackets and the door sash.



- Using a soft towel, press and hold the door visor against the door sash for 30 seconds.

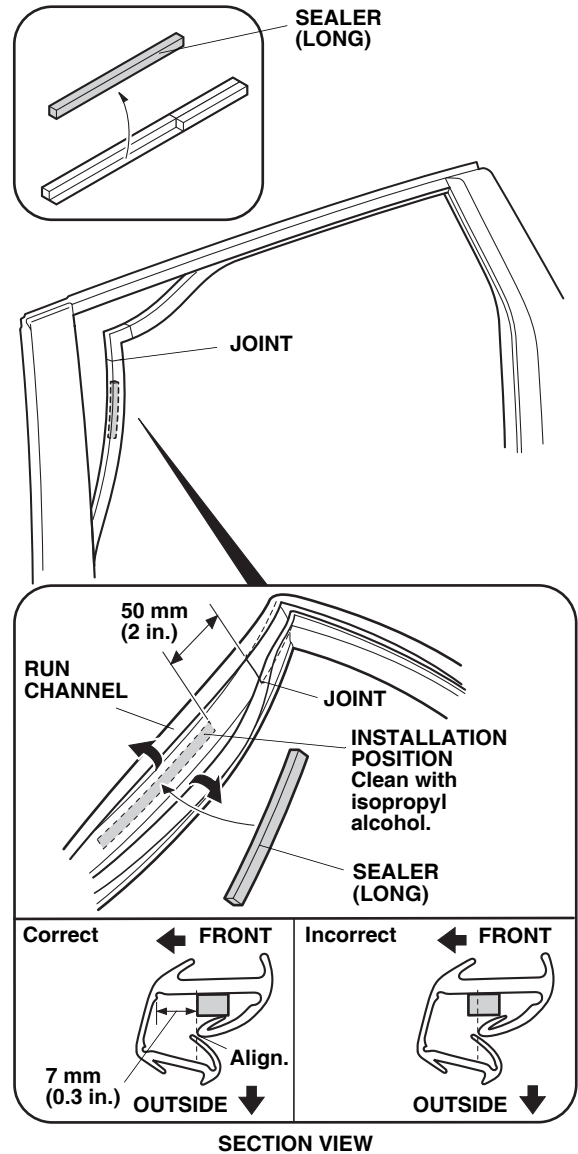
Installing the Rear Door Visor

12. Fully open the left rear window.



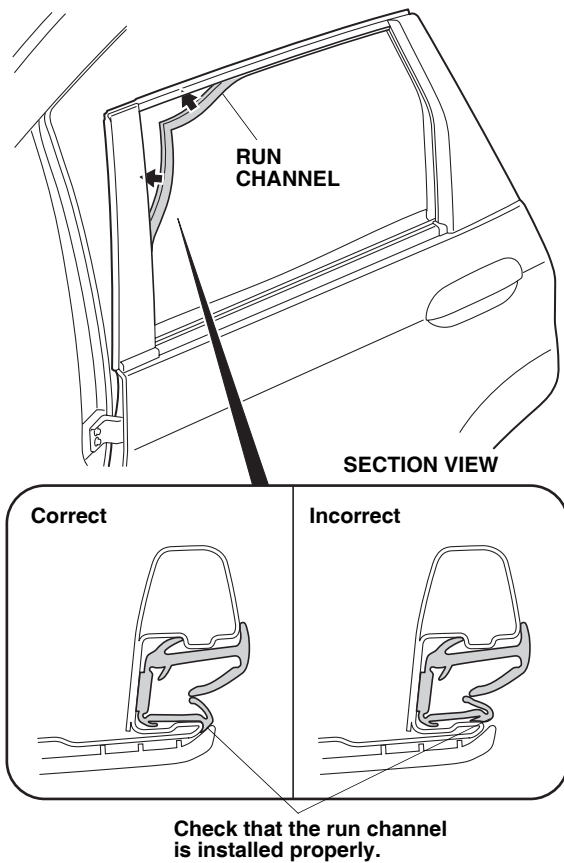
13. Remove the rear door run channel in the area shown.

14. Open the run channel and locate the area shown.

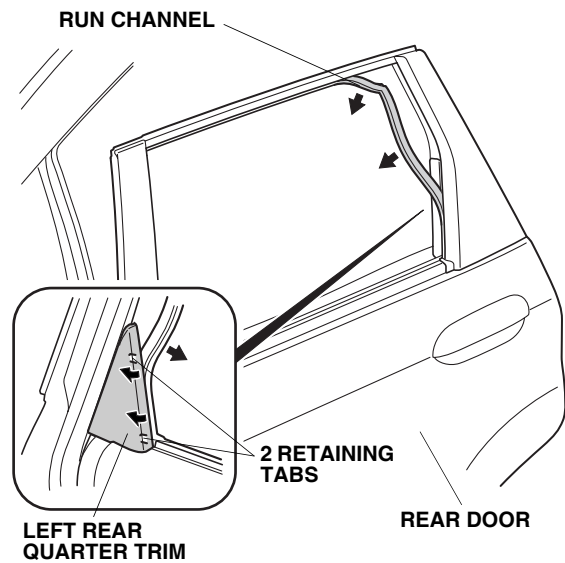


15. Using isopropyl alcohol on a shop towel, clean the inside surface of the run channel in the area shown. Let the alcohol dry before proceeding to the next step.
16. Remove the adhesive backing from the long seal, and attach it to the run channel in the area shown.

17. Reinstall the run channel. Be sure the run channel is installed properly.

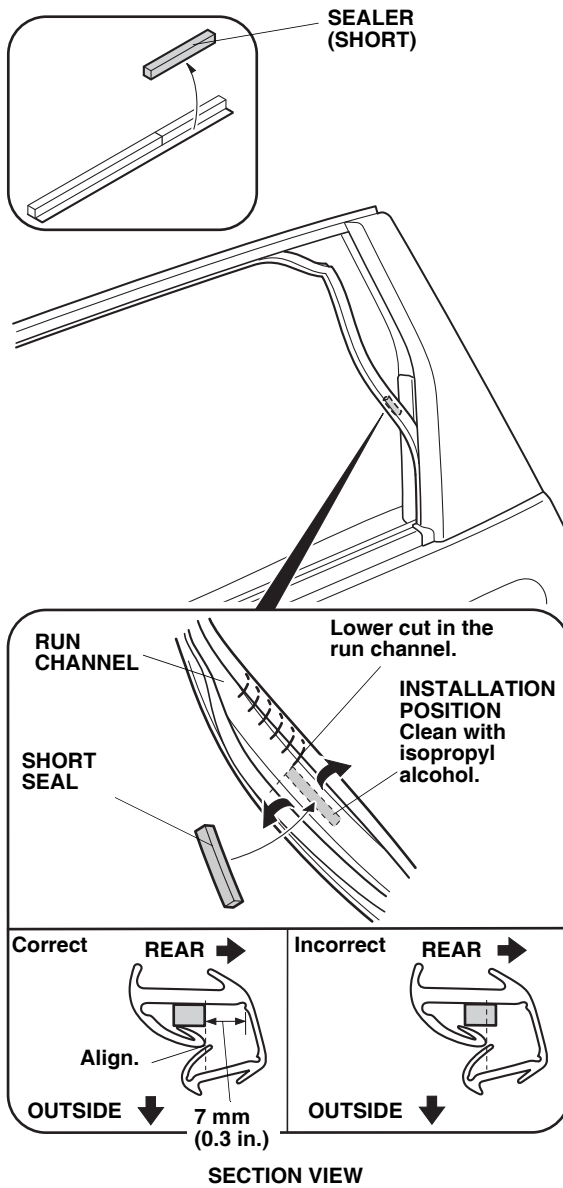


18. Carefully release the two retaining tabs and move the left rear quarter trim aside.
NOTE: The left rear quarter trim can be damaged easily. Move it aside carefully.



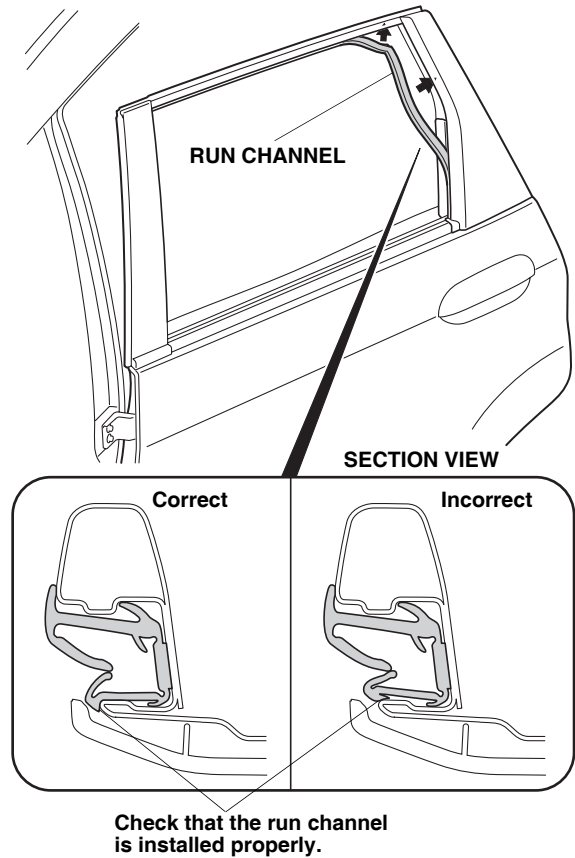
19. Carefully release the rear door run channel in the area shown. The run channel can tear easily at the corner area.

20. Carefully open the run channel and locate the area just below the lower cut in the run channel as shown.

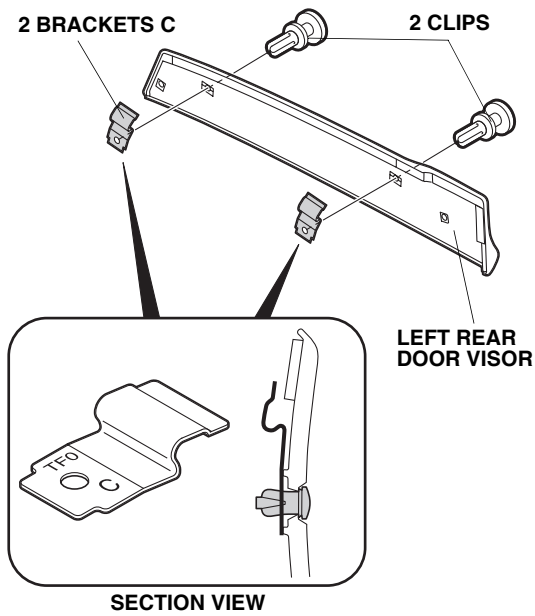


21. Using isopropyl alcohol on a shop towel, clean the inside surface of the run channel in the area shown. Let the alcohol dry before going to the next step.
22. Remove the adhesive backing from the short seal, and attach it to the run channel in the area shown.

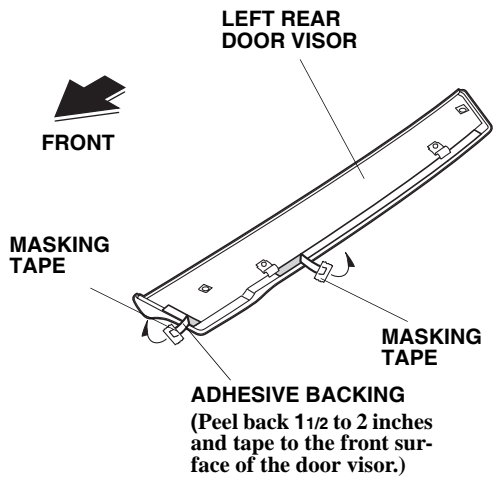
23. Reinstall the run channel. Be sure the run channel is installed properly.



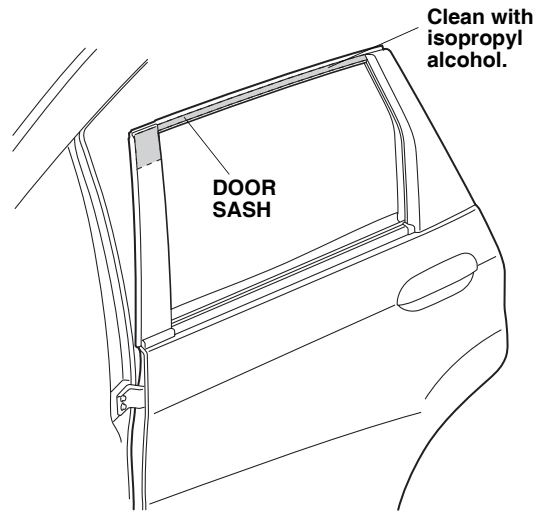
24. Install two brackets C on the left rear door visor using the two clips.



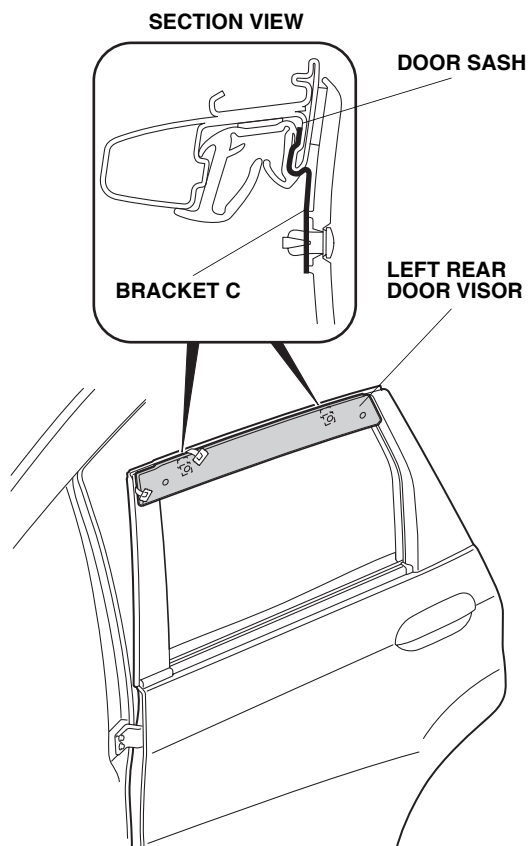
25. Peel back approximately 1½-2 inches of adhesive backing from each adhesive tape, and tape the ends to the front surface of the left rear visor.



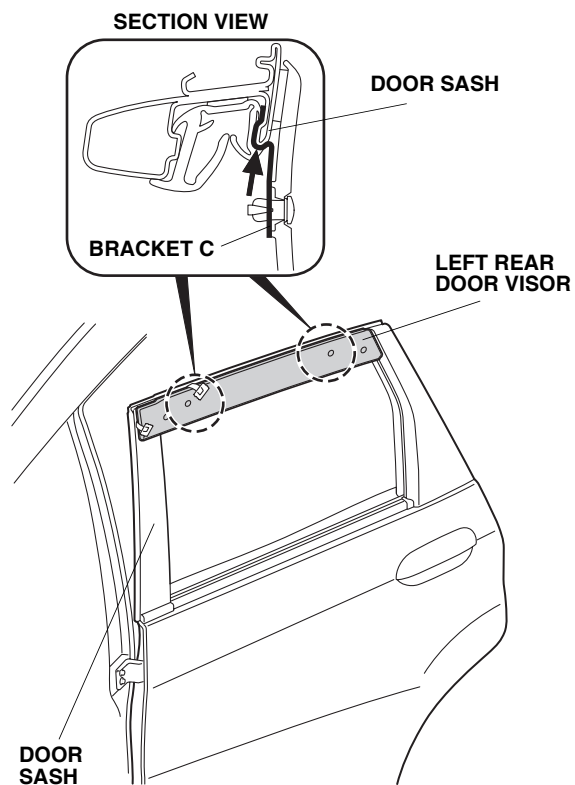
26. Using isopropyl alcohol on a shop towel, clean the door sash where the left rear door visor will attach.



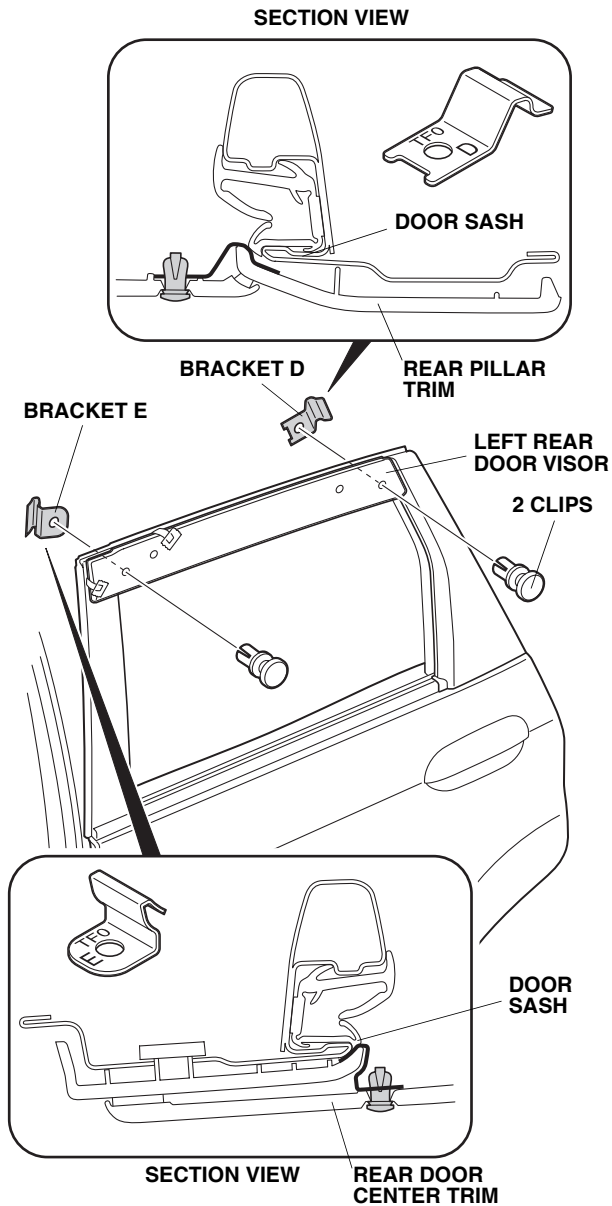
27. Temporarily install the left rear door visor on the door sash using the two brackets C you installed on the left rear door visor.



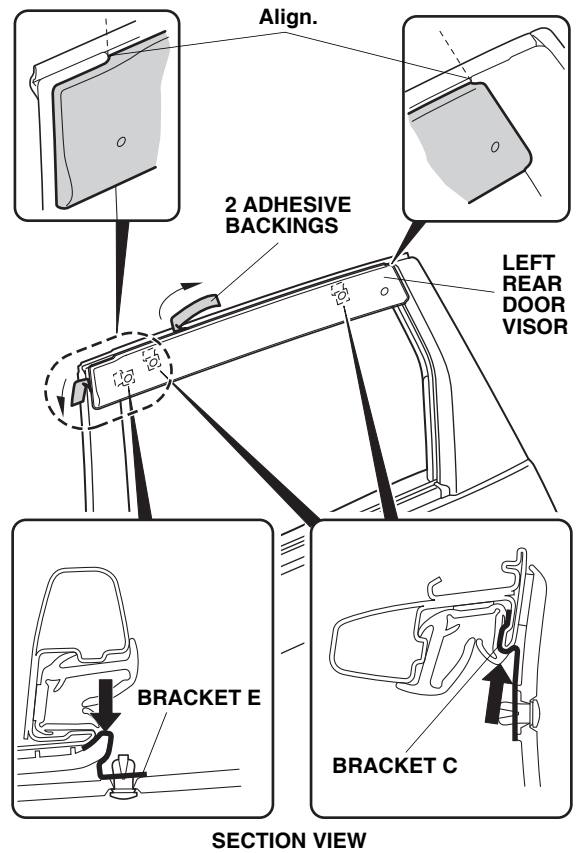
28. Push the left rear door visor upward, and check that it aligns with the contour of the door. There should be no clearance between the bracket and the door sash.



29. Insert bracket D between the rear pillar trim and the door sash, and insert the bracket E between the rear door center trim and the door sash. Install the left rear door visor on the door sash using the two clips. Verify the shape and the identification mark stamped on each bracket.



30. While holding the door visor up firmly and aligned in the center, remove the adhesive backings. Use your finger to push up on each bracket so there is no gap between the brackets and the door sash.



31. Using a soft towel, press and hold the door visor against the door sash for 30 seconds.
 32. Repeat steps 1 thru 31 to install the door visors on the right side of the vehicle.

USE AND CARE

Clean the door visors with mild detergent and water. Do not use organic solvents (thinners, benzene, alcohol, ect.) or cleaners containing any abrasive material.