



INSTALLATION INSTRUCTIONS

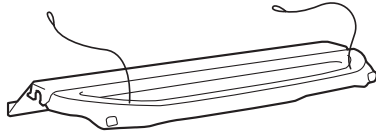
Accessory
CARGO COVER
P/N 08U35-TK6-110

Application
2009 FIT

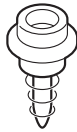
Publications No.
All 39855
Issue Date
AUG 2008

PARTS LIST

Cargo Cover



5 Snaps



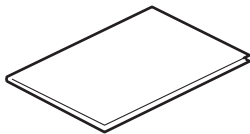
5 Covers



2 Clips



Accessory User's Information Manual



TOOLS AND SUPPLIES REQUIRED

Tape measure

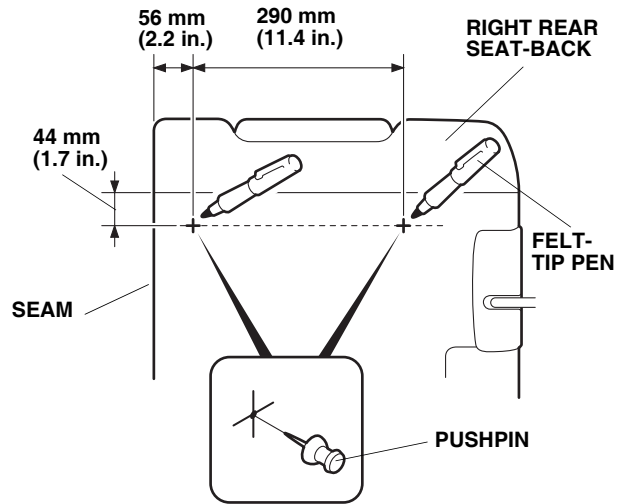
Phillips screwdriver

Pushpin

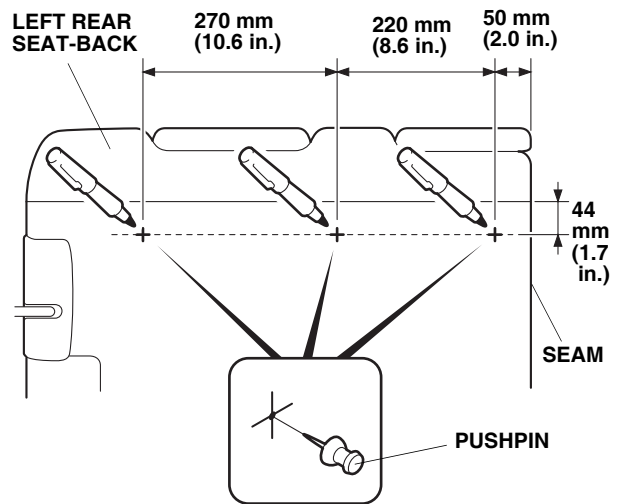
Felt-tip pen

INSTALLATION

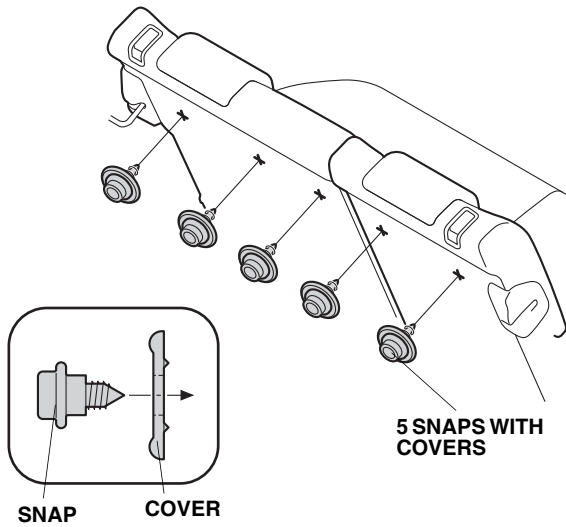
1. Measure and mark the right rear seat-back at the two locations shown. Use your finger to confirm the location of each hole.



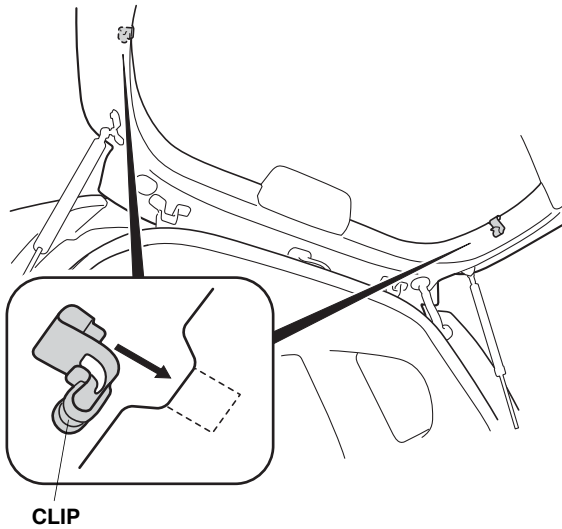
2. Using a pushpin, pierce the material and confirm each hole location.
3. Measure and mark the left seat-back using the above procedures.



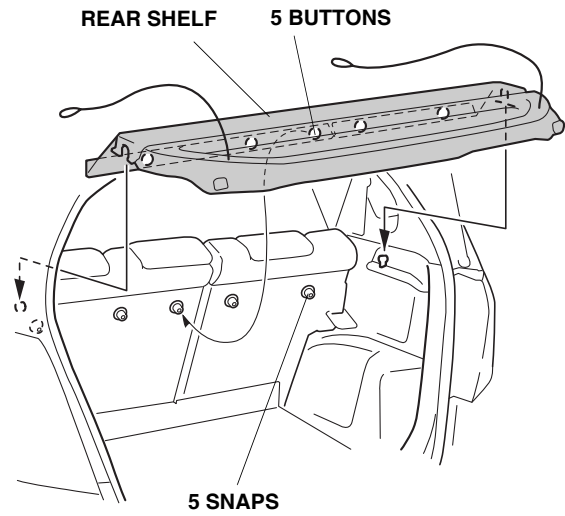
4. Insert the snaps through the covers and install the snaps at the pierced marks. Be careful not to over-tighten the screws.



5. Install one clip to the inside of the tailgate frame on each side of the tailgate.



6. Place the rear shelf in the cargo area, and snap the five buttons on the rear shelf to the five snaps on the seat-back.



7. Hook the cord on each side of the rear shelf to each clip installed on the tailgate.

